

# GA.00XX.GN.XXX GNSS ANTENNA SPECIFICATION

## 1. Application:

This application shall apply for antenna unit which shall be used with an engine for automobile

## 2. Appearance:

Antenna Unit (with radome, connector, and cable – refer to an attached drawing)	
Dimensions	60*51*17mm
Radome	#S1-A
Output Connector	SMA PLUG
Cable	RG-174 (black)

## 3. Operating Condition:

Operating Temperature	-40 ~ +85°C
Relative Humidity	20 ~ 95% RH

## 4. Storage Condition:

Storage Temperature	-40 ~ +85°C
Relative Humidity	20 ~ 95% RH
Recommended Storage condition	Store in room condition as listed below: Temperature -20°C ~ +45°C, Humidity 80% Max.


## 5. Electrical Specification:

\* All value are defined at 25±15°C, 65±20 % RH, power handling 10 watt, air pressure 960 ±100 HPA unless otherwise noted.

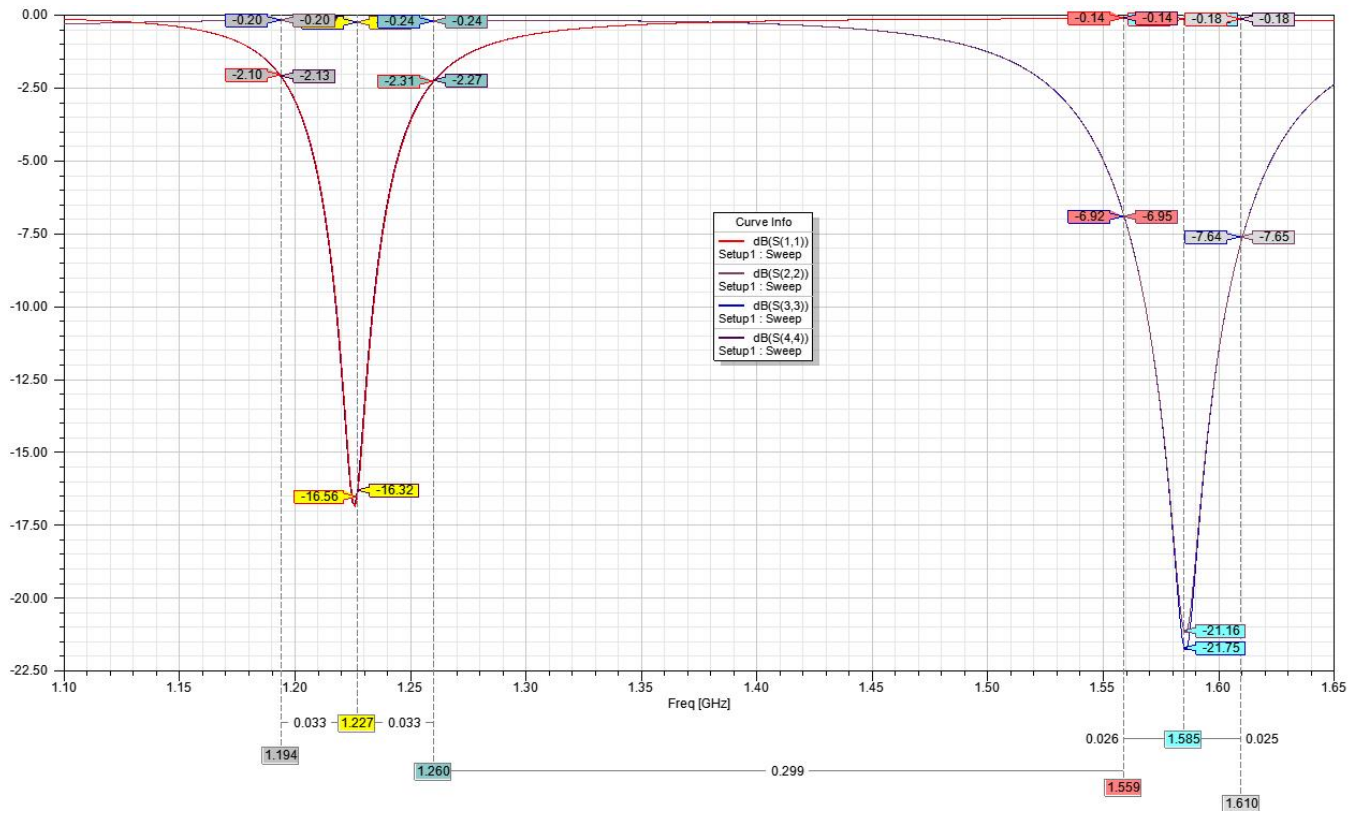
\* Antenna characteristics are measured with test housing in an anechoic chamber.

### 5-1 PATCH Antenna

Characteristics		Specification
Frequency Range		1196~1260MHZ 1559-1610MHZ
Center Frequency		1227 MHz/1575MHZ
Bandwidth (10dB return loss)		50 MHz
Zenith Gain	1196-1260MHZ	3.0 dBic typ.
	1559-1610 MHz	2.8 dBic typ.
Polarization		R.H.C.P.

UNLESS OTHER SPECIFIED TOLERANCES ON :			<b>KINGRF TECHNOLOGY CO., LTD.</b>
X = ±	X.X = ±		
ANGLES = ±		HOLEDIA = ±	
SCALE :	UNIT : mm	THIS DRAWINGS AND SPECIFICATIONS ARE THE PROPERTY OF KINGRF TECHNOLOGY CO.,LTD.AND SHALL NOT BE REPRODUCED OR USED AS THE BASIS FOR THE MANUFACTURE OR SALE OF APPARATUS OR DEVICES WITHOUT PERMISSION	
DRAWN BY : XIN	CHECKED BY: YS		
DESIGNED BY: De wen	APPROVED BY: YS		
TITLE : GA.00XX.GN.XXX GNSS ANTENNA SPECIFICATION			SPEC REV. <b>P0</b>

### 5.1.1 Smith Chart/Return Loss

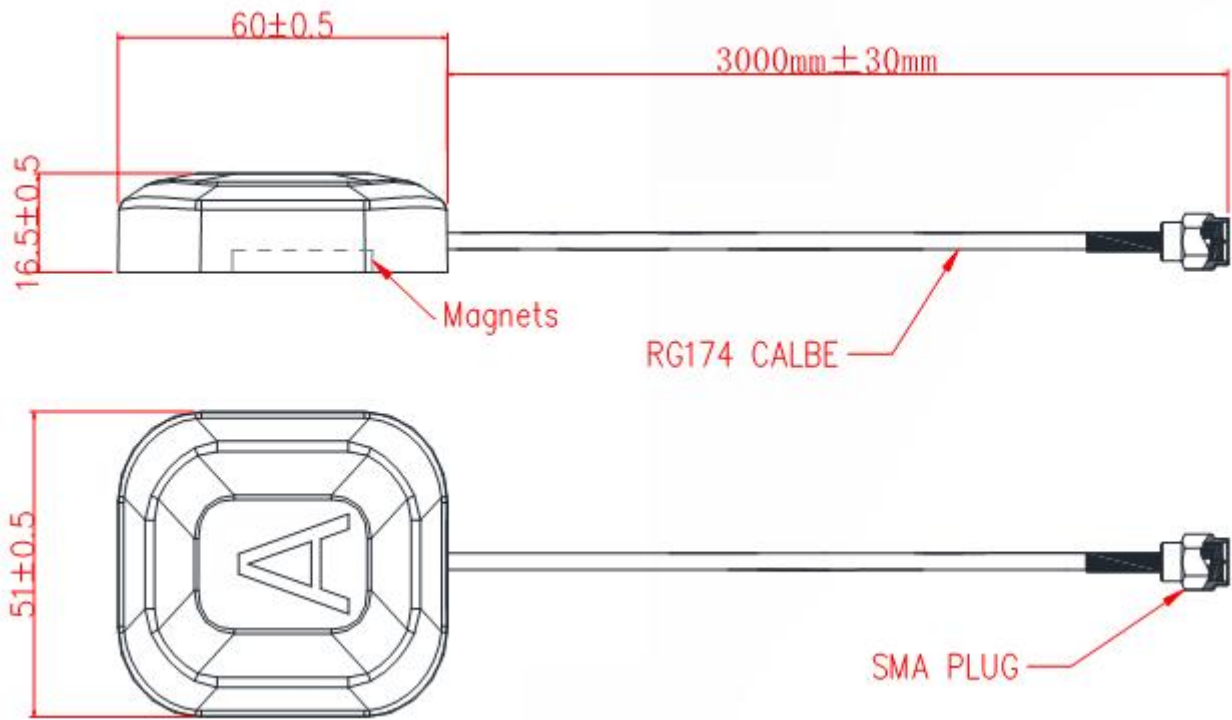


### 5-2 GNSS Overall Specifications (Through Antenna and cable)

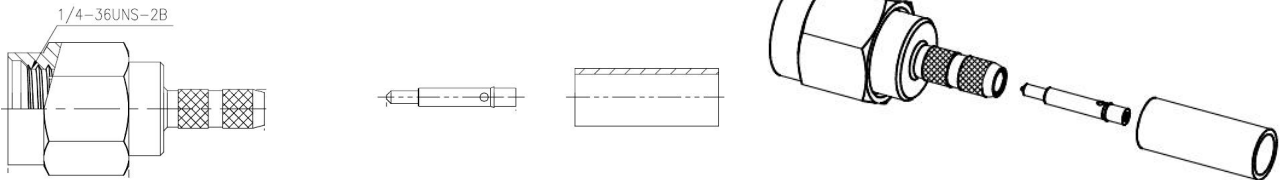
Characteristics	Specification
Frequency Range	1196~1260MHZ 1559-1610MHZ
Gain	36 ± 3dBic typ
Output Impedance	50 ohm
Output VSWR	2.0 typ
Fixed model	Magnet mount
Water proof class	IP67 rated
Noise Figure	2.0db typ

### 6. Antenna Dimension:

UNLESS OTHER SPECIFIED TOLERANCES ON :			<b>KINGRF TECHNOLOGY CO., LTD.</b>
X = ±                      X.X = ±                      X.XX = ± ANGLES = ±                      HOLEDIA = ±			
SCALE :	UNIT : mm	THIS DRAWINGS AND SPECIFICATIONS ARE THE PROPERTY OF KINGRF TECHNOLOGY CO.,LTD.AND SHALL NOT BE REPRODUCED OR USED AS THE BASIS FOR THE MANUFACTURE OR SALE OF APPARATUS OR DEVICES WITHOUT PERMISSION	
DRAWN BY : XIN	CHECKED BY: YS		
DESIGNED BY: De wen	APPROVED BY: YS		
TITLE : GA.00XX.GN.XXX GNSS ANTENNA SPECIFICATION			SPEC REV. <b>P0</b>



## 7. Connector appearance: SMA PLUG



UNLESS OTHER SPECIFIED TOLERANCES ON :		KINGRF TECHNOLOGY CO., LTD.
X = ±                  X.X = ±                  X.XX = ± ANGLES = ±                  HOLEDIA = ±		
SCALE :	UNIT : mm	THIS DRAWINGS AND SPECIFICATIONS ARE THE PROPERTY OF KINGRF TECHNOLOGY CO.,LTD.AND SHALL NOT BE REPRODUCED OR USED AS THE BASIS FOR THE MANUFACTURE OR SALE OF APPARATUS OR DEVICES WITHOUT PERMISSION
DRAWN BY : XIN	CHECKED BY: YS	
DESIGNED BY: De wen	APPROVED BY: YS	
TITLE : GA.00XX.GN.XXX GNSS ANTENNA SPECIFICATION		SPEC REV. P0