

WX.0016.GL.00C

GNSS Four-system full-band built-in measurement antenna specification

1.Product introduction

It is a multi-system full-band built-in measurement antenna covering BDS, GPS, GLONASS and GALILEO. At the same time, the antenna is also a full Netcom integrated antenna integrated with Bluetooth and GSM900, GSM1800, WCDMA2100, 4G frequency bands. Can be widely used in navigation scheduling, measurement mapping, deformation monitoring and other industries.

2.Technical introduction


2.1、 The antenna adopts multi-feed point design, which minimizes the error between the phase center and the geometric center, and reduces the error caused by the excessive deviation of the phase center, which makes the measurement more accurate.

2.2、 The antenna unit has high gain, good low elevation gain, and large directional beam to ensure that the antenna can be used in a heavily occluded environment;


2.3、 The antenna is small in size and light in weight, and can be conveniently conformed to the client device, which is advantageous for miniaturization of the client device;

2.4、 The antenna is compatible with Bluetooth and GSM900, GSM1800, WCDMA2100, 4G frequency bands, which can effectively avoid interference and compatibility problems caused by different frequency band antennas designed by different manufacturers.

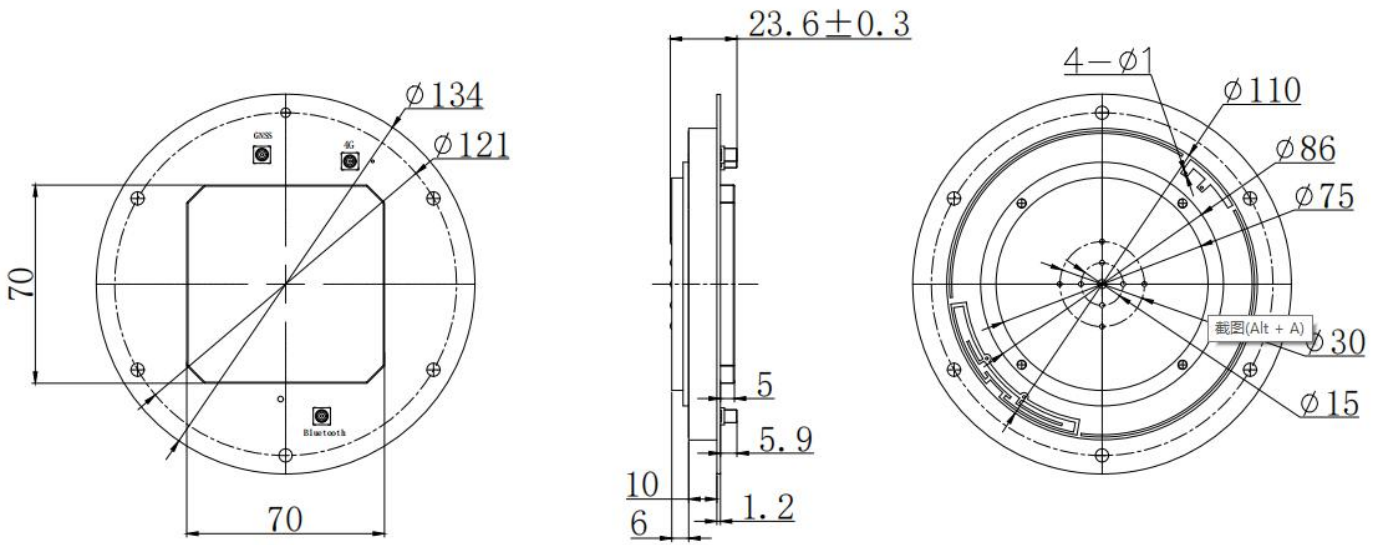
3.Specification Description :

UNLESS OTHER SPECIFIED TOLERANCES ON: X=± X.X=± X.XX=± ANGLES=± HOLEDIA=±			KINGRF TECHNOLOGY CO., LTD.
SCALE:	UNIT: mm	THIS DRAWINGS AND SPECIFICATIONS ARE THE PROPERTY OF KINGRF TECHNOLOGY CO.,LTD.AND SHALL NOT BE REPRODUCED OR USED AS THE BASIS FOR THE MANUFACTURE OR SALE OF APPARATUS OR DEVICES WITHOUT PERMISSION	
DRAWN BY: XIN	CHECKED BY: YS		
DESIGNED BY: De wen	APPROVED BY: YS		
TITLE: WX.0016.GL.00C GNSS four system full-band measurement antenna spec			SPEC REV. P0

Passive antenna parameters		Low noise amplifier parameters	
Frequency range	GPS L1/L2/L5 GLONASS L1/L2 BDS B1/B2/B3 GALILEO E1/E2/E5a/E5b GSM900/GSM1800 WCDMA2100/4G Bluetooth WIFI	Noise Figure	≤ 2.0
		Output V.S.W.R	≤ 2.0
Output V.S.W.R	≤ 2.0	Gain	$40 \pm 2\text{dB}$
Max Gain	GNSS $\geq 5.5\text{dBi}$ Bluetooth/WIFI $\geq 0\text{dBi}$ GSM900/GSM1800 $\geq -1\text{dB}$ WCDMA2100/4G $\geq -1\text{dB}$	Operating voltage	3~18VDC
Polarization	GNSS: RHCP Bluetooth/WIFI: Vertical polarization GSM900/GSM1800: Vertical polarization WCDMA2100/4G: Vertical polarization	Operating current	$\leq 40\text{mA}$
impedance	50OHM	Bandwidth flatness	$\pm 2\text{dB}$
Antenna apex axis ratio	$\leq 3\text{dB}$	Differential transmission delay	$\leq 5\text{ns}$
Horizontal coverage angle	360°	Working environment	
Phase center error	$\leq 2.0\text{mm}$	Working temperature	$-45 \sim +70^\circ\text{C}$
Structural characteristics		Working humidity	95% Not condensing
Antenna dimension	$\Phi 134 \times 23.6\text{mm}$	Storage environment	$-45 \sim +85^\circ\text{C}$
Connector type	GNSS: MCX-KHD Bluetooth: MCX-KHD 4G: MCX-KHD	/	/

UNLESS OTHER SPECIFIED TOLERANCES ON: X= \pm X.X= \pm X.XX= \pm ANGLES= \pm HOLEDIA= \pm		 KINGRF TECHNOLOGY CO., LTD.
SCALE:	UNIT: mm	
DRAWN BY: XIN	CHECKED BY: YS	THIS DRAWINGS AND SPECIFICATIONS ARE THE PROPERTY OF KINGRF TECHNOLOGY CO.,LTD.AND SHALL NOT BE REPRODUCED OR USED AS THE BASIS FOR THE MANUFACTURE OR SALE OF APPARATUS OR DEVICES WITHOUT PERMISSION
DESIGNED BY: De wen	APPROVED BY: YS	
TITLE: WX.0016.GL.00C GNSS four system full-band measurement antenna spec		SPEC REV. P0

4. Structure drawing



5. product picture



UNLESS OTHER SPECIFIED TOLERANCES ON: X=± X.X=± X.XX=± ANGLES=± HOLEDIA=±			KINGRF TECHNOLOGY CO., LTD.
SCALE:	UNIT: mm		
DRAWN BY: XIN	CHECKED BY: YS		
DESIGNED BY: De wen	APPROVED BY: YS		
TITLE: WX.0016.GL.00C GNSS four system full-band measurement antenna spec			SPEC REV. P0

5. Packing specification:

Product No.: xx

Product item: xx

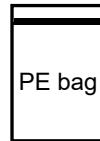
一、label requirement:

customer	Xx		
supplier	Dongguan KingRF Electronics Technology Co.,Ltd		
Purchase No.	Xx		
Material code	Xx		
Product item			
Quantity /pcs	XXX PCS	MFD	X X X
Remarks			

二、Packing requirements:

Operate description:

1. inner packaging :



Goods XXpcs/bag , put in a small PE bag;

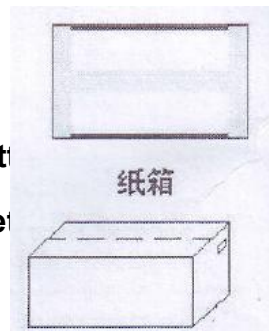
2. Outer packaging:

XxPCS /carton;

3. Precautions:

a. Whether to add partitions, pearl cotton

b. Label attachment, such as ROHS, etc



UNLESS OTHER SPECIFIED TOLERANCES ON:

$X=\pm$ $X.X=\pm$ $X.XX=\pm$

ANGLES= \pm HOLEDIA= \pm

SCALE: UNIT: mm

DRAWN BY: XIN CHECKED BY: YS

DESIGNED BY: De wen APPROVED BY: YS



KINGRF TECHNOLOGY CO., LTD.

THIS DRAWINGS AND SPECIFICATIONS ARE THE PROPERTY OF KINGRF TECHNOLOGY CO.,LTD.AND SHALL NOT BE REPRODUCED OR USED AS THE BASIS FOR THE MANUFACTURE OR SALE OF APPARATUS OR DEVICES WITHOUT PERMISSION

TITLE: WX.0016.GL.00C GNSS four system full-band measurement antenna spec

SPEC REV.

P0