

KC.DA.00162 ACTIVE ANTENNA SPECIFICATION

1. Application:

This application shall apply for antenna unit which shall be used with an engine for automobile

2. Appearance:

Antenna Unit (with radome, connector, and cable – refer to an attached drawing)	
Dimensions	Φ28*58.5mm
Radome	Φ28*58.5mm
Output Connector	SMA
Cable	/

3. Operating Condition:

Operating Temperature	-40 ~ +85°C
Relative Humidity	20 ~ 95% RH


4. Storage Condition:

Storage Temperature	-40 ~ +85°C
Relative Humidity	20 ~ 95% RH
Recommended Storage condition	Store in room condition as listed below: Temperature -20°C ~ +45°C, Humidity 80% Max.

5. Electrical Specification:

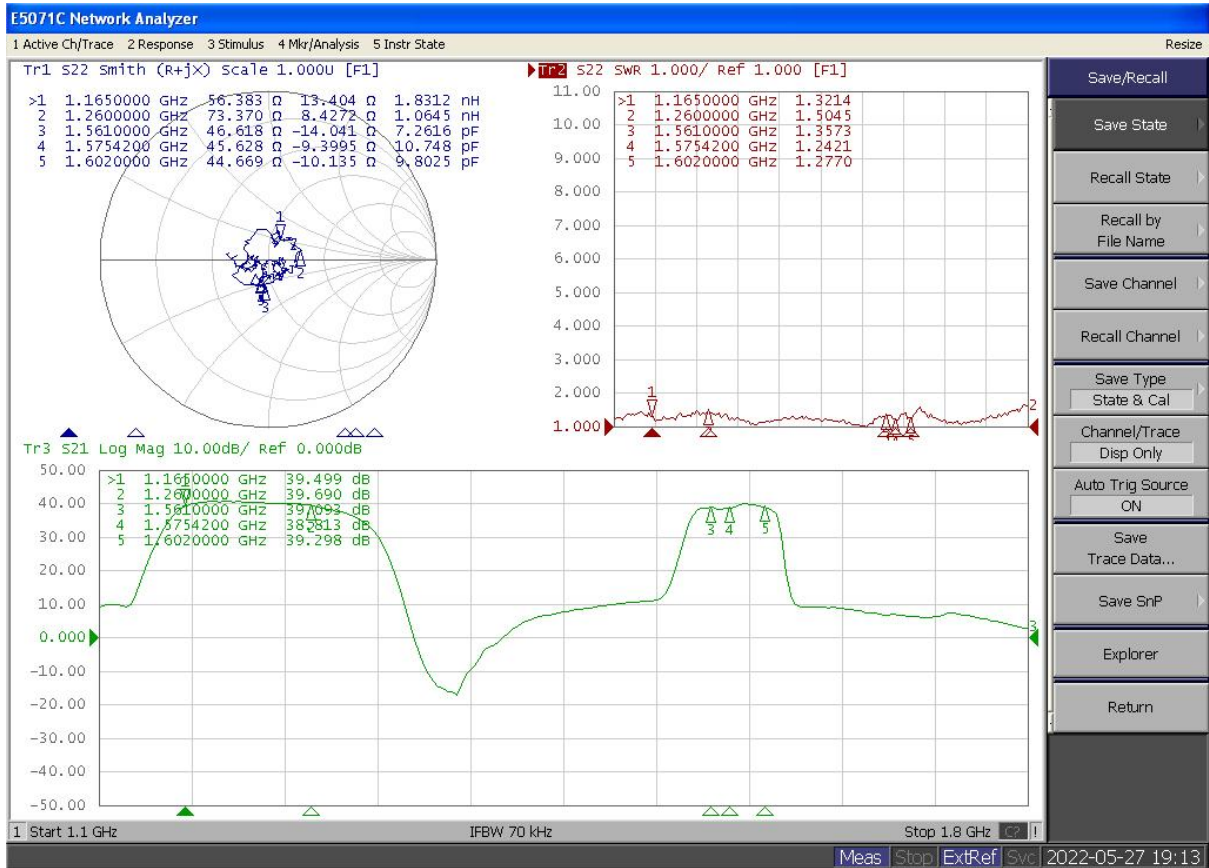
* All value are defined at 25±15°C,65±20 % RH, power handling 10 watt, air pressure 960 ±100 HPA unless otherwise noted.

* Antenna characteristics are measured with test housing in an anechoic chamber.


UNLESS OTHER SPECIFIED TOLERANCES ON: X=± X.X=± X.XX=± ANGLES=± HOLEDIA=±		 TOXU TECHNOLOGY CO., LTD.
SCALE:	UNIT: mm	
DRAWN BY: XIN	CHECKED BY: YS	THIS DRAWINGS AND SPECIFICATIONS ARE THE PROPERTY OF TONGXUN TECHNOLOGY CO.,LTD.AND SHALL NOT BE REPRODUCED OR USED AS THE BASIS FOR THE MANUFACTURE OR SALE OF APPARATUS OR DEVICES WITHOUT PERMISSION
DESIGNED BY: De wen	APPROVED BY: YS	
TITLE: KC.DA.00162 GNSS ACTIVE ANTENNA SPECIFICATION		SPEC REV.
		P0

5-1 GNSS LNA

Characteristics	Specification
Frequency Range	L1/L2/L5 1160~1260MHz/1550~1610MHz
Gain	39 dB typ.
Noise Figure	<2.5 dB
Output V.S.W.R	<1.6
Operation Voltage	3~10 V
Current	<35 Ma

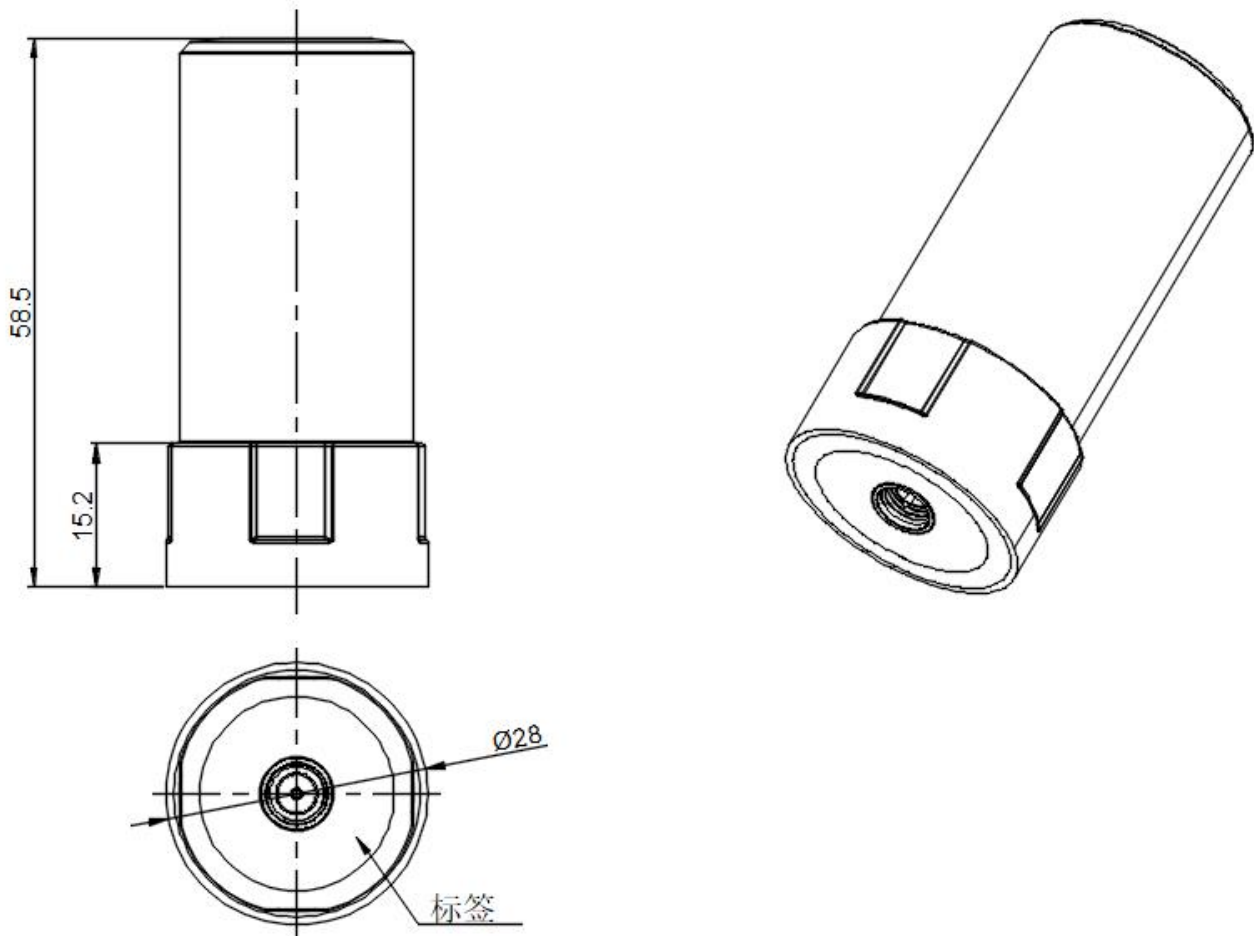



5-2 GNSS Overall Specifications (Through Antenna & LNA)

UNLESS OTHER SPECIFIED TOLERANCES ON: X=± X.X=± X.XX=± ANGLES=± HOLEDIA=±		 TOXU TECHNOLOGY CO., LTD.
SCALE:	UNIT: mm	
DRAWN BY: XIN	CHECKED BY: YS	THIS DRAWINGS AND SPECIFICATIONS ARE THE PROPERTY OF TONGXUN TECHNOLOGY CO.,LTD.AND SHALL NOT BE REPRODUCED OR USED AS THE BASIS FOR THE MANUFACTURE OR SALE OF APPARATUS OR DEVICES WITHOUT PERMISSION
DESIGNED BY: De wen	APPROVED BY: YS	
TITLE: KC.DA.00162 GNSS ACTIVE ANTENNA SPECIFICATION		SPEC REV. P0

Characteristics	Specification
Frequency Range	L1/L2/L5 1160~1260MHz/1550~1610MHz
Zenith Gain	42 dBic typ.
Output Impedance	50 ohm
Output VSWR	≤2
Operation Voltage	3~10V
Current	<35 Ma
Ex-band Rejection	50Db TYP.@CF±50MHZ
Environmentally friendly	ROHS Compliant


6. Antenna Dimension:



UNLESS OTHER SPECIFIED TOLERANCES ON: X=± X.X=± X.XX=± ANGLES=± HOLEDIA=±		 TOXU TECHNOLOGY CO., LTD.
SCALE:	UNIT: mm	
DRAWN BY: XIN	CHECKED BY: YS	THIS DRAWINGS AND SPECIFICATIONS ARE THE PROPERTY OF TONGXUN TECHNOLOGY CO.,LTD.AND SHALL NOT BE REPRODUCED OR USED AS THE BASIS FOR THE MANUFACTURE OR SALE OF APPARATUS OR DEVICES WITHOUT PERMISSION
DESIGNED BY: De wen	APPROVED BY: YS	
TITLE: KC.DA.00162 GNSS ACTIVE ANTENNA SPECIFICATION		SPEC REV. P0

7. Product Image:



UNLESS OTHER SPECIFIED TOLERANCES ON: $X = \pm$ $X.X = \pm$ $X.XX = \pm$ ANGLES = \pm HOLEDIA = \pm			TOXU TECHNOLOGY CO., LTD.
SCALE:	UNIT: mm		
DRAWN BY: XIN	CHECKED BY: YS	THIS DRAWINGS AND SPECIFICATIONS ARE THE PROPERTY OF TONGXUN TECHNOLOGY CO.,LTD.AND SHALL NOT BE REPRODUCED OR USED AS THE BASIS FOR THE MANUFACTURE OR SALE OF APPARATUS OR DEVICES WITHOUT PERMISSION	
DESIGNED BY: De wen	APPROVED BY: YS		
TITLE: KC.DA.00162 GNSS ACTIVE ANTENNA SPECIFICATION			SPEC REV. P0