

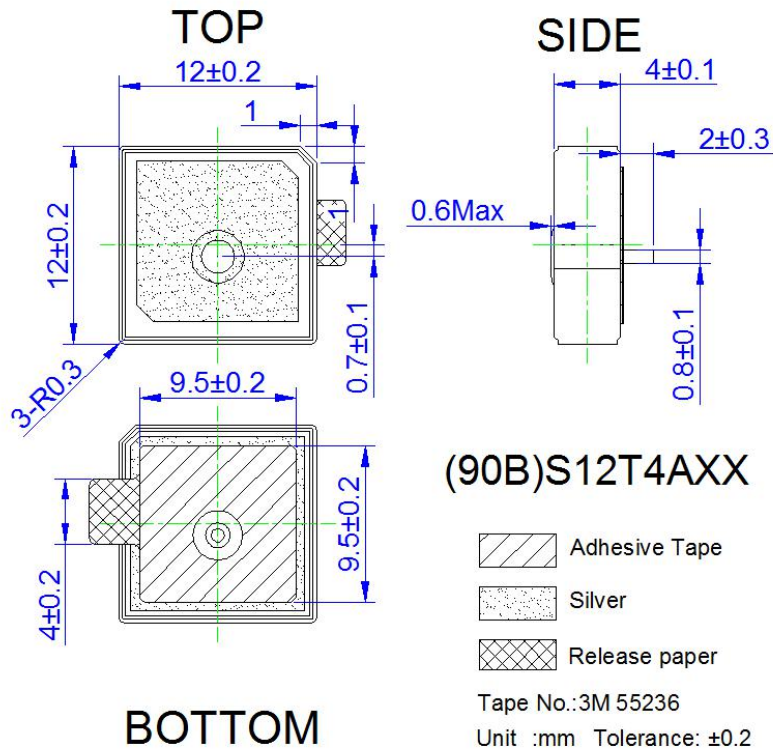
S12T4AXX

ENGINEERING SPECIFICATION

1. Typical Electrical Properties (RoHS compliance)

Characteristics	Specification	Unit	Conditions
Center Frequency	GPS: 1561 ± 3	MHz	By30*30 test ground plane
Band With(RL≤-10dB)	30min.	MHz	By30*30 test ground plane
Gain(Zenith)	0.5	dBic typ	By30*30 test ground plane
Return Loss @CF	< -15	dB	By30*30 test ground plane
Polarization	RHCP	-	By30*30 test ground plane
Frequency Temperature Coefficient	0 ± 20	ppm/°C	-40°C to +85°C

2. Dimension(Unit:mm)



UNLESS OTHER SPECIFIED TOLERANCES ON:
 X=±0.5 X.X=±0.3 X.XX=± 0.1
 ANGLES=±1° HOLEDIA= ±0.1



Shenzhen Kingrf
 Technology Co.,Ltd.

SCALE: 1:1 UNIT: mm
 DRAWN BY: KENVIN CHECKED BY : YUPING
 DESIGNED BY: ERIC APPROVED BY: MACRO

THIS DRAWINGS AND SPECIFICATIONS ARE THE PROPERTY OF KINGRF ELECTRONIC CO.,LTD.AND SHALL NOT BE REPRODUCED OR USED AS THE BASIS FOR THE MANUFACTURE OR SALE OF APPARATUS OR DEVICES WITHOUT PERMISSION

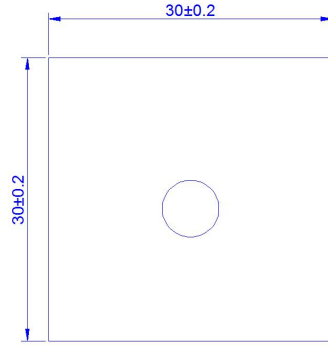
TITLE: S12T4A1
 ENGINEERING SPECIFICATION

DOCUMENT
 NO.

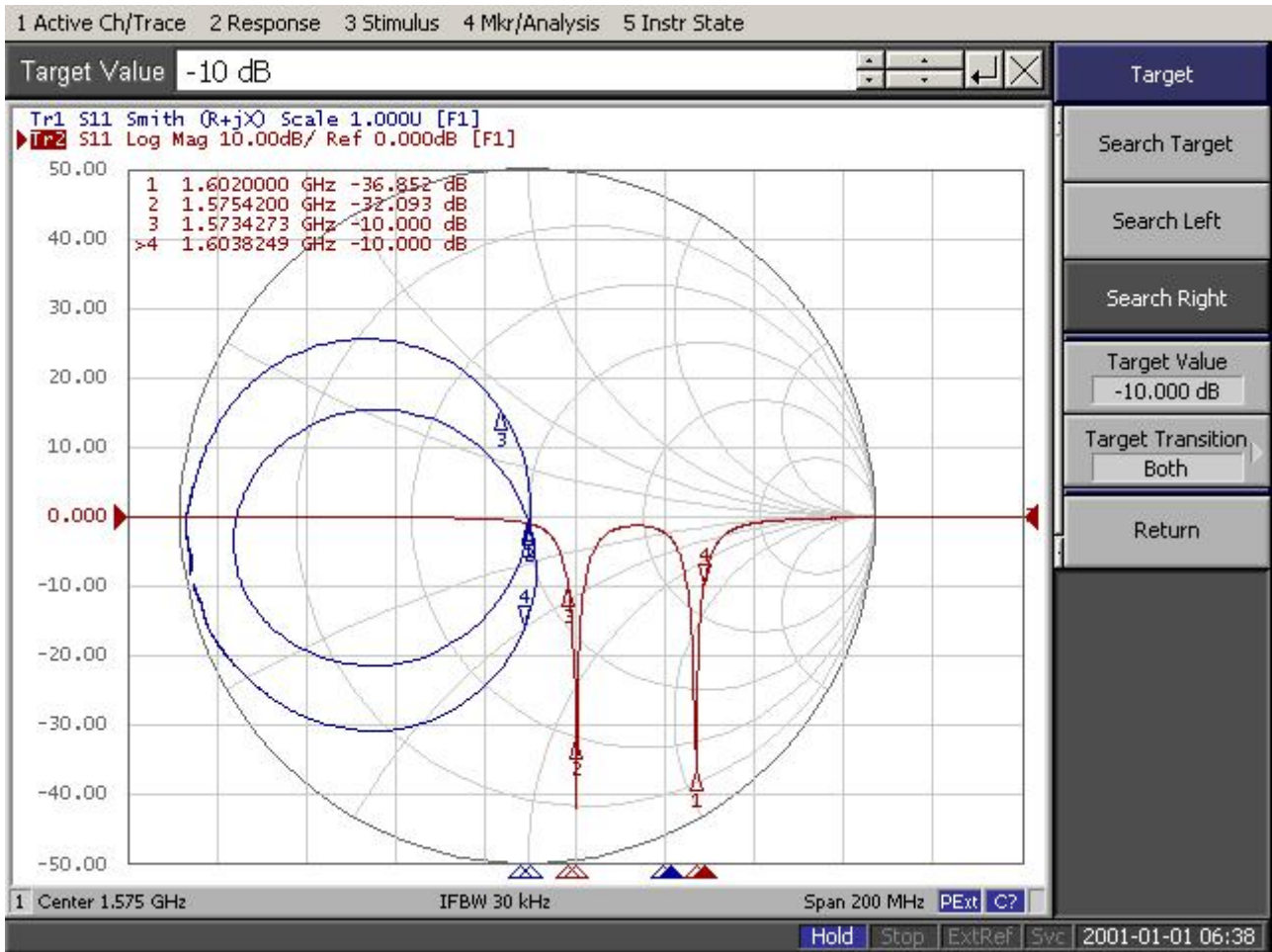
S12T4A1

PAGE REV.

3. Test Condition Ground Plane(Unit:mm; Materials:Brass)



4.Measured Smith Chart &Return Loss



UNLESS OTHER SPECIFIED TOLERANCES ON:
X=±0.5 X.X=±0.3 X.XX=± 0.1
ANGLES=±1° HOLEDIA= ±0.1



Shenzhen Kingrf
Technology Co.,Ltd.

SCALE: 1:1 UNIT: mm
DRAWN BY: KENVIN CHECKED BY : YUPING
DESIGNED BY: ERIC APPROVED BY: MACRO

THIS DRAWINGS AND SPECIFICATIONS ARE THE PROPERTY OF KINGRF ELECTRONIC CO.,LTD.AND SHALL NOT BE REPRODUCED OR USED AS THE BASIS FOR THE MANUFACTURE OR SALE OF APPARATUS OR DEVICES WITHOUT PERMISSION

TITLE: S12T4A1
ENGINEERING SPECIFICATION

DOCUMENT NO.	S12T4A1	PAGE REV.
--------------	---------	-----------

5.Material



No.	Description	Material	Specification
5.1	Antenna Substrate	Microwave dielectric	90±5
5.2	Pin	Copper and Tin-plated	4MM 连接件
5.3	Electrode	Ag Plated	/
5.4	Sn	Sn:Ag:Cu	96.5:3:0.5
5.5	Adhesive Type	3M 55326	Thickness: 0.15±0.1mm

6.Packaging specifications

Plastic tray	Inner box	Outside box
100 Pcs/tray	500 Pcs/box	2000 Pcs/box

UNLESS OTHER SPECIFIED TOLERANCES ON:

X=±0.5 X.X=±0.3 X.XX=± 0.1

ANGLES=±1° HOLEDIA= ±0.1



Shenzhen Kingrf
Technology Co.,Ltd.

SCALE: 1:1

UNIT: mm

DRAWN BY: KENVIN

CHECKED BY : YUPING

DESIGNED BY: ERIC

APPROVED BY: MACRO

THIS DRAWINGS AND SPECIFICATIONS ARE THE PROPERTY OF KINGRF ELECTRONIC CO.,LTD.AND SHALL NOT BE REPRODUCED OR USED AS THE BASIS FOR THE MANUFACTURE OR SALE OF APPARATUS OR DEVICES WITHOUT PERMISSION

TITLE: S12T4A1

DOCUMENT

PAGE REV.

ENGINEERING SPECIFICATION

NO.

S12T4A1

Page 4

Of 4