

KC.GA.000xxx GNSS ACTIVE ANTENNA SPECIFICATION

1. Application:

This application shall apply for antenna unit which shall be used with an engine for automobile

2. Appearance:

Antenna Unit (with radome, connector, and cable – refer to an attached drawing)
 Dimensions 46.5*17mm#
 Radome S1W
 Output Connector SMA
 Cable RG-174 (black)

3. Operating Condition:

Operating Temperature -40 ~ +85°C
 Relative Humidity 20 ~ 95% RH

4. Storage Condition:

Storage Temperature -40 ~ +85°C
 Relative Humidity 20 ~ 95% RH
 Recommended Storage condition Store in room condition as listed below: Temperature -20°C ~ +45°C, Humidity 80% Max.


5. Electrical Specification:

* All value are defined at 25±15°C, 65±20 % RH, power handling 10 watt, air pressure 960 ±100 HPA unless otherwise noted.

* Antenna characteristics are measured with test housing in an anechoic chamber.

5-1 GNSS PATCH Antenna

Characteristics		Specification
Frequency Range		1560MHz~1580MHz
Center Frequency		1570 MHz
Bandwidth (10dB return loss)		20 MHz
Zenith Gain	1561.098MHZ	3.0 dBic typ.
	1575.42 MHz	3.0 dBic typ.
Polarization		R.H.C.P.


UNLESS OTHER SPECIFIED TOLERANCES ON: X=± X.X=± X.XX=± ANGLES=± HOLEDIA=±		 TOXU TECHNOLOGY CO., LTD.
SCALE:	UNIT: mm	
DRAWN BY: XIN	CHECKED BY: YS	THIS DRAWINGS AND SPECIFICATIONS ARE THE PROPERTY OF TOXU TECHNOLOGY CO.,LTD.AND SHALL NOT BE REPRODUCED OR USED AS THE BASIS FOR THE MANUFACTURE OR SALE OF APPARATUS OR DEVICES WITHOUT PERMISSION
DESIGNED BY: De wen	APPROVED BY: YS	
TITLE: KC.GA.00061 GNSS ACTIVE ANTENNA SPECIFICATION		SPEC REV. P0

5-2 GNSS LNA

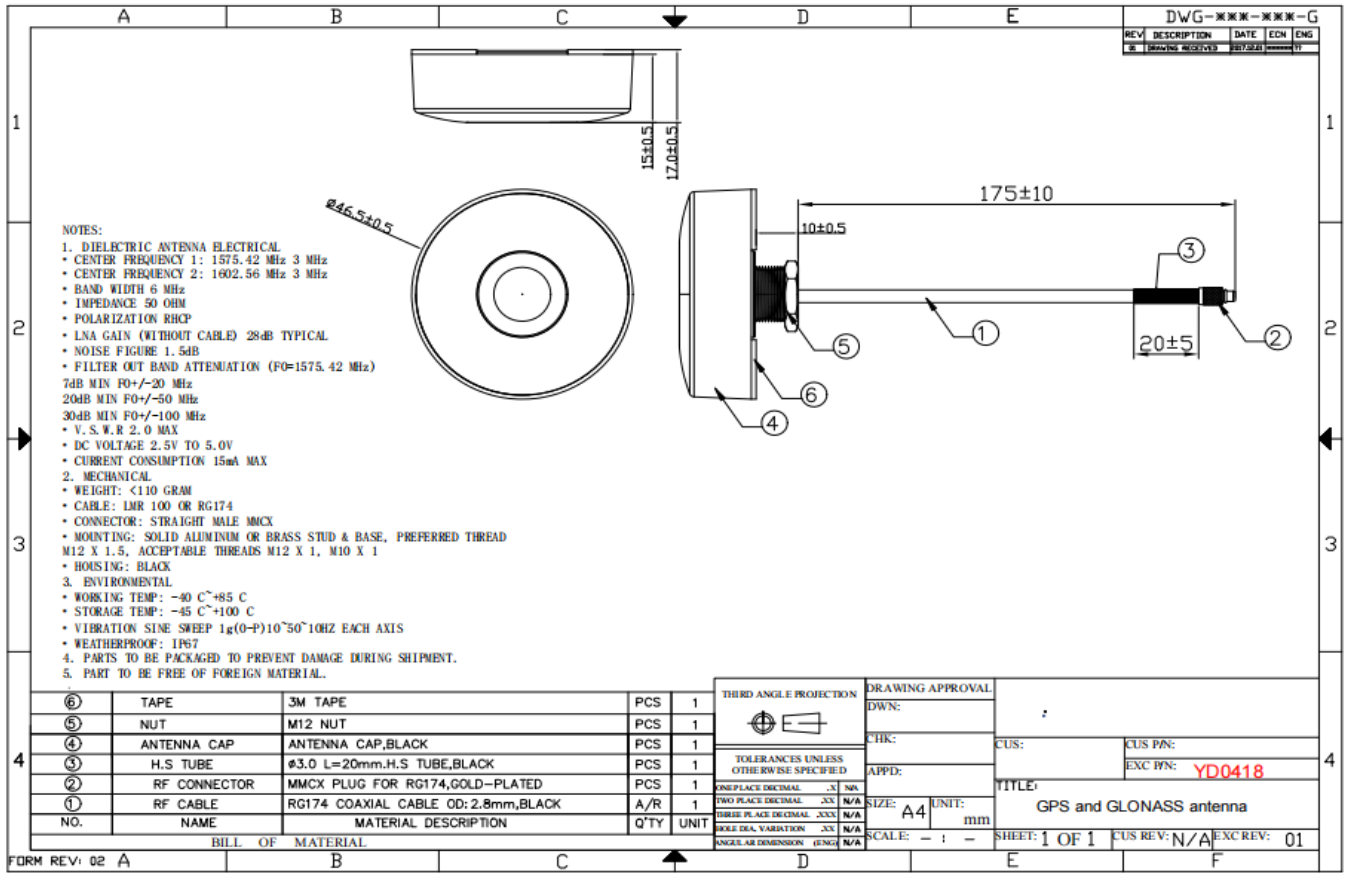
Characteristics	Specification
Frequency Range	1560MHz~1580MHz
Gain	27 dB TYP
Noise Figure	<1.5 dB
Output V.S.W.R	2.0 max
Operation Voltage	3.3 V
Current	<20 mA

5-3 GNSS Overall Specifications (Through Antenna , LNA and cable)

Characteristics	Specification
Frequency Range	1560MHz~1580MHz
Zenith Gain	29 dBic typ
Output Impedance	50 ohm
Output VSWR	2.0 typ
Operation Voltage	3.3V
Current	<20 mA

UNLESS OTHER SPECIFIED TOLERANCES ON: X=± X.X=± X.XX=± ANGLES=± HOLEDIA=±		 TOXU TECHNOLOGY CO., LTD.
SCALE:	UNIT: mm	
DRAWN BY: XIN	CHECKED BY: YS	THIS DRAWINGS AND SPECIFICATIONS ARE THE PROPERTY OF TOXU TECHNOLOGY CO.,LTD.AND SHALL NOT BE REPRODUCED OR USED AS THE BASIS FOR THE MANUFACTURE OR SALE OF APPARATUS OR DEVICES WITHOUT PERMISSION
DESIGNED BY: De wen	APPROVED BY: YS	
TITLE: KC.GA.00061 GNSS ACTIVE ANTENNA SPECIFICATION		SPEC REV.
		P0

6. Antenna Dimension:




UNLESS OTHER SPECIFIED TOLERANCES ON: X=± X.X=± X.XX=± ANGLES=± HOLEDIA=±		<p>TOXU TECHNOLOGY CO., LTD.</p>
SCALE:	UNIT: mm	
DRAWN BY: XIN	CHECKED BY: YS	THIS DRAWINGS AND SPECIFICATIONS ARE THE PROPERTY OF TOXU TECHNOLOGY CO.,LTD.AND SHALL NOT BE REPRODUCED OR USED AS THE BASIS FOR THE MANUFACTURE OR SALE OF APPARATUS OR DEVICES WITHOUT PERMISSION
DESIGNED BY: De wen	APPROVED BY: YS	
TITLE: KC.GA.00061 GNSS ACTIVE ANTENNA SPECIFICATION		SPEC REV. P0

7. Connector appearance: FAKRA SMA



8. Product Image:



UNLESS OTHER SPECIFIED TOLERANCES ON: $X = \pm$ $X.X = \pm$ $X.XX = \pm$ ANGLES = \pm HOLEDIA = \pm		 TOXU TECHNOLOGY CO., LTD.
SCALE:	UNIT: mm	
DRAWN BY: XIN	CHECKED BY: YS	THIS DRAWINGS AND SPECIFICATIONS ARE THE PROPERTY OF TOXU TECHNOLOGY CO.,LTD.AND SHALL NOT BE REPRODUCED OR USED AS THE BASIS FOR THE MANUFACTURE OR SALE OF APPARATUS OR DEVICES WITHOUT PERMISSION
DESIGNED BY: De wen	APPROVED BY: YS	
TITLE: KC.GA.00061 GNSS ACTIVE ANTENNA SPECIFICATION		SPEC REV. P0