

产品规格书 Product Specification

产品外观及设计性能参数 / Product appearance and technical parameters

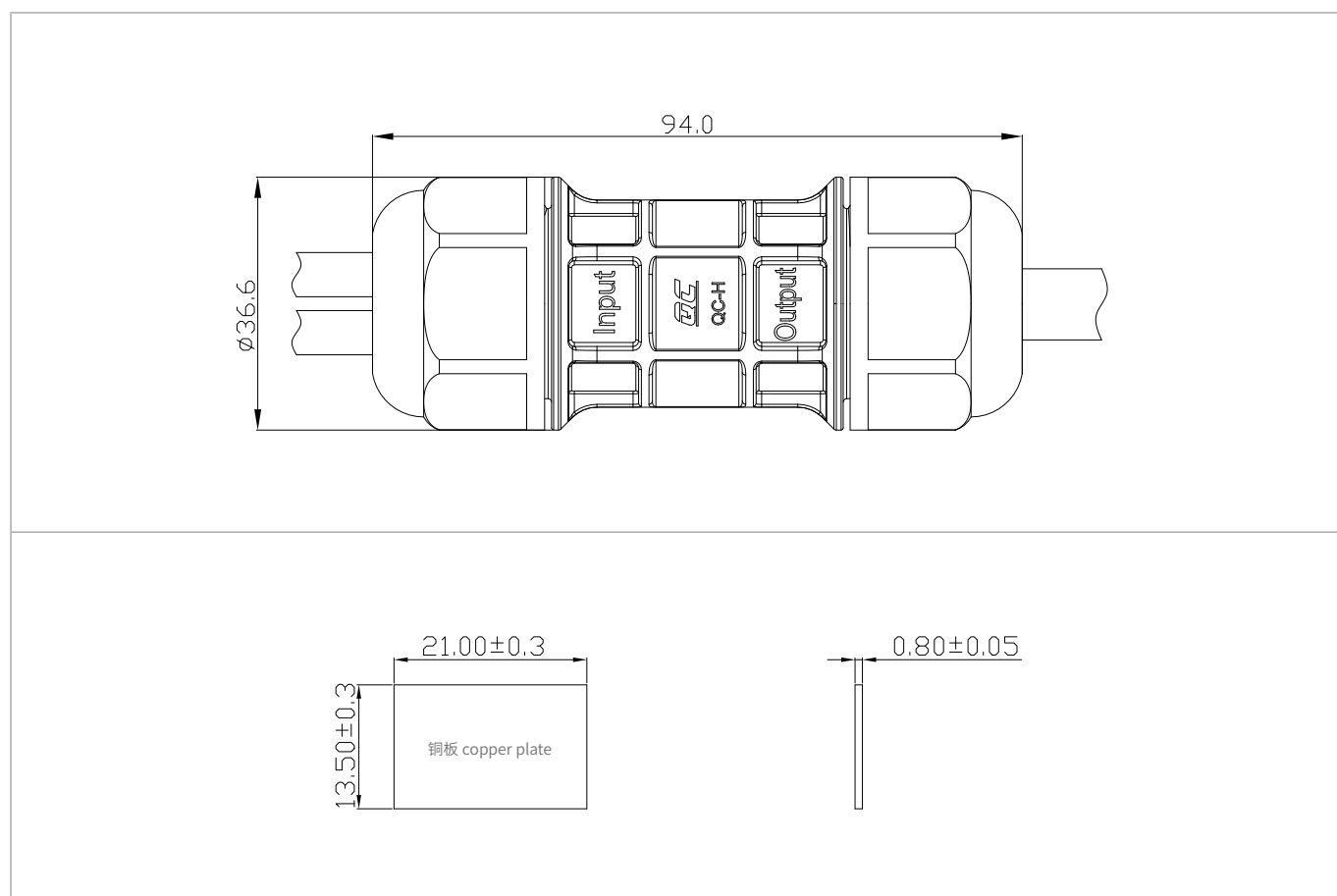


性能参数 Performance Parameters

名称 Product Name	QC-H 多种分支线束 QC-H Multiple types combiner wiring harnesses
额定电压 Rated Voltage	1500V DC
最大并联输出电流 Maximum Parallel Output Current	16mm ² : 80A, 10mm ² : 70A, 6mm ² : 55A, 4mm ² : 41A
连接方式 Connection Method	电阻焊 Electric resistance welding
光伏电缆规格 PV Cable Size	光伏输入电缆 PV input cable: 4*4mm ² , 3*4mm ² , 2*4mm ² , 2*6mm ² , 3*6mm ² , 2*10mm ²
	光伏输出电缆 PV output cable: 4mm ² , 6mm ² , 10mm ² , 16mm ²
环境温度 Temperature Range	-40°C ~ +85°C
温度上限 Upper limit Temperature	115°C
防护等级 IP Degree	IP68 (1m, 1h) / IP65
防护等级, 未插合 IP degree unplugged	IP2X
过电压类别 Over Voltage Category	III
污染等级 Class of Pollution	2

接触电阻 Resistance of Connector	$\leq 0.3\text{m}\Omega$
额定脉冲电压 Rated Impulse Voltage	16KV
端子材质 Terminal Material	铜, 镀锡 Copper, Tinning
绝缘材料 Insulating Material	PC、PA
阻燃等级 Flammability Class	UL94: V-0
连接器型号 Connector Type	QC4.10-cds (4mm ² 、6mm ² 、10mm ²) ; QC4.10-cd (16mm ²)
连接器端子连接方式 Connector Terminal Connection Method	压接 Crimping

图档 / Drawing



注：本文件如有更改，恕不另行通知。解释权归苏州快可光伏电子股份有限公司所有。

Note: This document is subject to change without notice. The right of interpretation belongs to QC Solar (Suzhou) Corporation.