

# Smarrtrack03 组件级优化器

Smarrtrack03 PV Module-level Power Optimizer



## 快速安装指导

## Quick Installation Guide

外挂式智能优化器 Smarrtrack 03 系列 / External mounting MPPT Smarrtrack 03

## 01: Safety Precautions

### General statement

- ⊙ 因产品的不断升级或其它原因，文档内容也会随之不断更新。如无特殊约定，文档内容不可取代产品标签或用户手册的安全注意事项。文中所有的描述权作为使用指导。
- ⊙ 安装前，请认真阅读此快速安装指导。
- ⊙ 安装操作必须有专业的、合格的电气技术人员进行，技术人员需熟知所在地相关的标准有安全规范。
- ⊙ 安装操作时，需使用绝缘工具，佩带个人防护用品。
- ⊙ 未遵循本文档要求手册要求进行设备相关操作可能造成人身伤害或是设备损坏，本公司不承担相关责任
- ⊙ Due to the continuous upgrade of the product or other reasons, the content of the document will also be updated continuously. Unless otherwise agreed, the contents of this document cannot replace the safety precautions on product labels or user manuals. The description in the text is just used as a guidance.
- ⊙ Please read this installation guidance carefully before installation.
- ⊙ The installation operation must be carried out by professional and qualified electrical technicians who are familiar with the relevant local standards and safety regulations.
- ⊙ Technician of Installation should use insulated tools and wear personal protective supplies.
- ⊙ Failure to follow the requirements of this document to operate the equipment may result in personal injury or equipment damage, and our company is not responsible for it.

## 02: Warning



高电压危险，安装拆卸优化器时，  
请确保逆变器已断电



Danger high voltage, please make sure the power  
is off when installing and removing the MPPT



设备运行时，表面存在高温，  
禁止触摸，否则可能导致烫伤



When the device is running, surface temperature is high,  
it is forbidden to touch. Otherwise it may cause burns



安装操作设备前，  
请仔细阅读产品说明书



Before installation, please read the  
product manual carefully



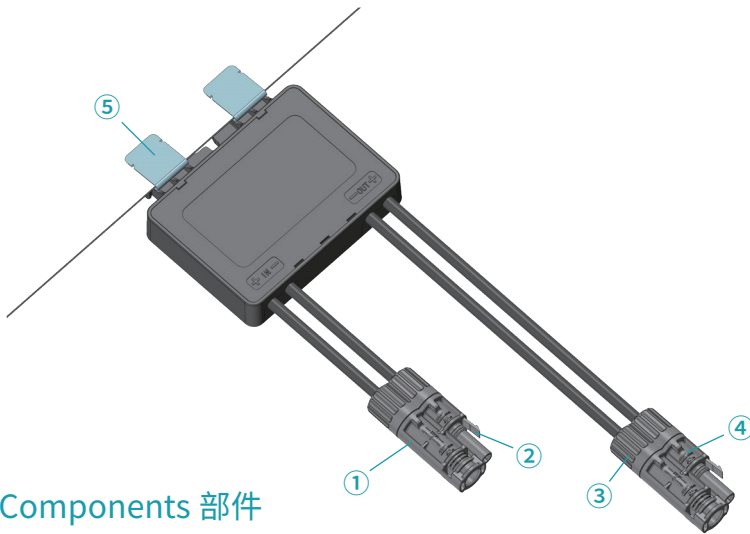
设备运行后，存在潜在危险，  
操作时，请做好防护



When the device is running, there is potential danger.  
Please wear protective supplies during operation

### 03: Installation Precautions

- |            |            |                        |                        |
|------------|------------|------------------------|------------------------|
| ① 光伏组件输入正极 | ② 光伏组件输入负极 | ① MPPT input positive  | ② MPPT input negative  |
| ③ 优化器输出负极  | ④ 优化器输出正极  | ③ MPPT output negative | ④ MPPT output positive |
| ⑤ 安装固定卡    |            | ⑤ Mounting clips       |                        |



Components 部件

#### 警告 Warning

错误的安装及拆装顺序，会导致产品不可逆的损坏和其它风险

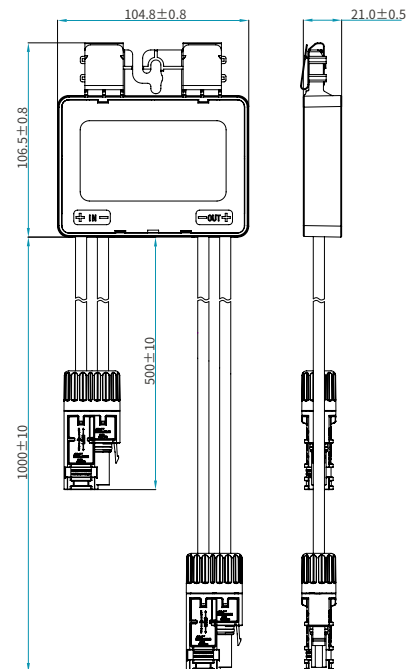
Wrong sequence of installation and disassembly may cause irreversible damage to the product, or other risks

### 04: 安装步骤 Installation steps

- A: 紧固固定 MPPT
- B: 连接 MPPT 输入正极 1 至组件输出正极连接器
- C: 连接 MPPT 输入负极 2 至组件输出负极连接器
- D: MPPT 输出负极 3 连接到下一片组件正极或下一个优化器的输出正极
- E: MPPT 输出正极 4 连接到下一片组件负极或下一个优化器的输出负极

- A: Fastening MPPT
- B: Connect MPPT input positive 1 with PV module output positive
- C: Connect MPPT input negative 2 with PV module output negative
- D: Connect MPPT output negative 3 with next PV module positive or next MPPT output positive
- E: Connect MPPT output positive 4 with next PV module negative or next MPPT output negative

#### Size



## 05: Disassembly steps

断开相联的连接器，顺序如下：

Disconnect the associated connector, sequence as:

E → D → C → B → A

## 06: After installation

