

产品规格书

Product Specification



QC4.F 保险丝连接器

QC4.F Fuse connector

承认签章 (Confirmation)					
快可承认 (QC Solar confirmation)			客户承认 (Customer confirmation)		
批准 Approved by	审核 Audited by	设计 Designed by	采购 Purchased by	品保 Quality Assured by	技术 Technical verified by

目录

01/ 产品外观及设计性能参数要求 / Product appearance and design performance parameters	01
02/ 保险丝连接器 BOM 清单 / BOM of connector	02
03/ 保险丝连接器图纸 / Drawing of connector	03
04/ 保险丝连接器证书 / Certificates of connector	04

1. 产品外观及设计性能参数要求 / Product appearance and design performance parameters



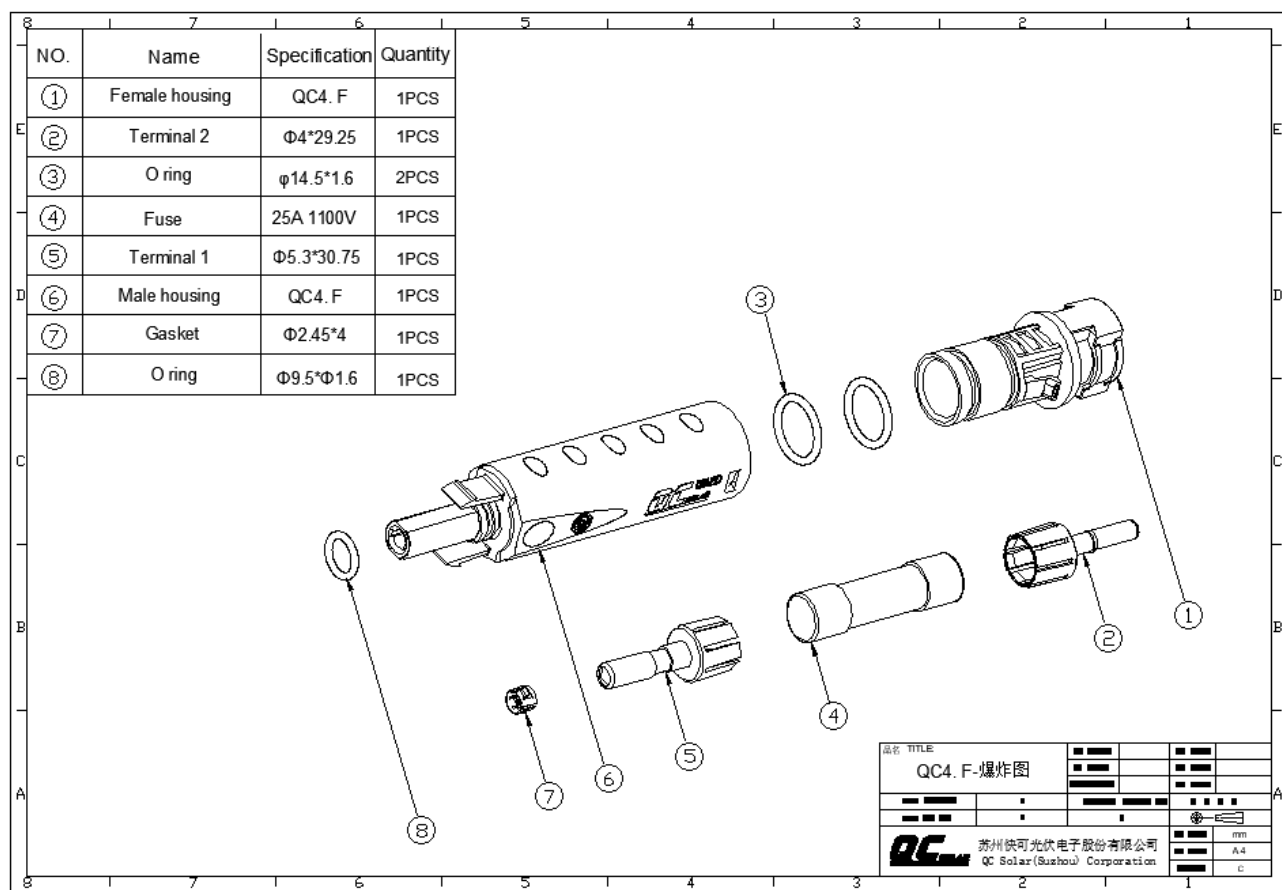
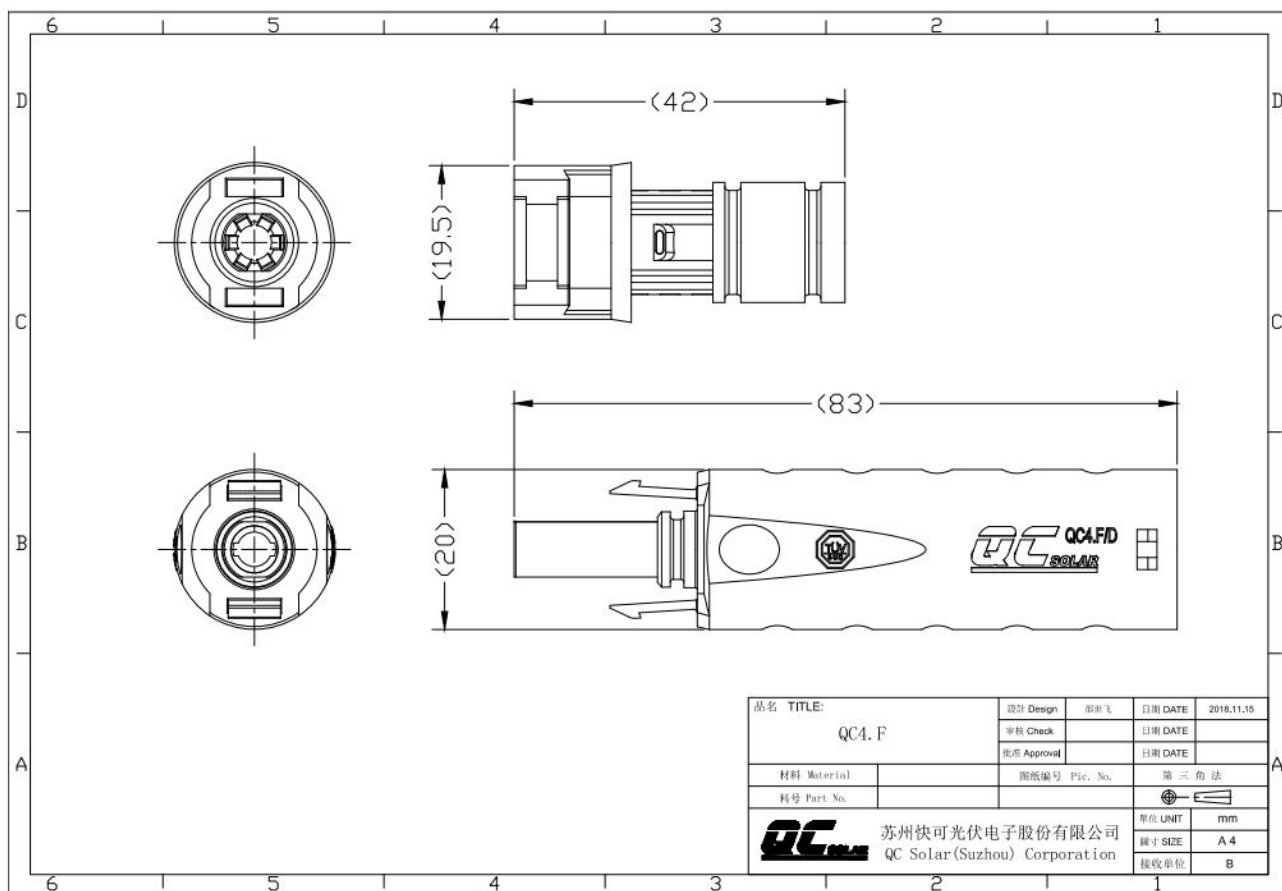
性能参数 design performance parameters

证书编号 Certificate number	6113163.50
额定电压 Rated Voltage	IEC1100V
额定电流 Rated Current	5A,6A,8A,10A,12A,15A,16A,18A,20A,25A,30A,32A
单点接触电阻 Individual point connect resistance	$\leq 0.5\text{m}\Omega$
环境温度 Temperature Range	$-40^{\circ}\text{C} \sim +85^{\circ}\text{C}$
IP 等级 Protection Degree	IP68 (1m,1h)




2. 保险丝连接器BOM清单 / BOM of connector

苏州快可光伏电子股份有限公司 QC Solar (Suzhou) Corporation					
产品名称	保险丝连接器 Fuse connector	材料清单 Bill Of Materials		版本 Version	A/0
产品型号	QC4.F 1100V			张数 Page	1
客户	/			发行日期 Version Date	2020.10.22
序号 number	名称 Name	材质 Material	生产厂商 Manufacturer	数量 Quantity	备注 Remark
1	O型密封圈 - 红色 1 O ring1	硅胶 silica gel	QC Solar	1 pcs	
2	O型密封圈 - 红色 2 O ring2	硅胶 silica gel	QC Solar	2 pcs	
3	正极本体 Female housing	塑料粒子	QC Solar	1 pcs	
4	负极本体 male housing	塑料粒子	QC Solar	1 pcs	
5	金属插套 Terminal 1	铜镀锡 tinned Brass	QC Solar	1 pcs	
6	金属插针 Terminal 2	铜镀锡 tinned Brass	QC Solar	1 pcs	
7	公母内腔卡圈 Gasket	钢 stainless steel	QC Solar	1 pcs	
8	保险丝 FUSE	/	东莞市艾德乐 电器有限公司	1 pcs	1100Vdc, 电流规格可选 10*38mm
以上原料符合欧盟 ROHS 要求 Above materials matched the ROHS rules					
制表: Written By:		审核: Checked by:		批准: Approved By:	

3. 保险丝连接器图纸 / Drawing of connector



4. 保险丝连接器证书 / Certificates of connector

		Product Description Sheet for Connector for PV System Annex 1 of test report no. 6113163.50	
Test specification: IEC 62852:2014, IEC 62852/A1:2020; EN 62852:2015, EN 62852/A1:2020; Our Reference 6113163.50 Appendix No. 1.0			
License Holder	QC Solar (Suzhou) Corporation		
(full address)	No.31, Xinfra Road, SIP, 215123 Suzhou City Jiangsu, China		
Production Factory 1	QC Solar (Suzhou) Corporation		
(full address)	No.31, Xinfra Road, SIP, 215123 Suzhou City Jiangsu, China		
Type of Product	Connectors for DC-application in photovoltaic systems		
Trademark			
Type Name or Model No.	QC4.F		
Rated Voltage	Up to 1100 Vdc		
Rated impulse voltage	12800 V		
Rated insulation voltage	6400 V		
Rated Current	5 A (with 5 A fuse); 6 A (with 6 A fuse); 8 A (with 8 A fuse); 10 A (with 10 A fuse); 12 A (with 12 A fuse); 15 A (with 15 A fuse); 16 A (with 16 A fuse); 18 A (with 18 A fuse); 20 A (with 20 A fuse); 25 A (with 25 A fuse); 30 A (with 30 A fuse); 32 A (with 32 A fuse)		
Standard	IEC 62852:2014, IEC 62852/A1:2020; EN 62852:2015, EN 62852/A1:2020 Tested associated with IEC 60947-3:2020; IEC 60269-6:2010		
Application class	Class A		
Protection class	Class II		
Page 1 of 3 Suzhou 2021.08.18 (City) (Date) DSTD-0131		(Stamp and/or signature of applicant)  DEKRA Testing and Certification (Shanghai) Ltd.	

快速可靠, 成就客户!

Quick and reliable, QC Solar devotes to satisfying customers.



苏州快可光伏电子股份有限公司

QC Solar (Suzhou) Corporation

 中国苏州工业园区新发路 31 号 (No.31,Xinfa Road,SIP,Suzhou,China, 215123.)

 0086-0512-62603392

 market@quick-contact.com

 www.quick-contact.com



快可官方微信