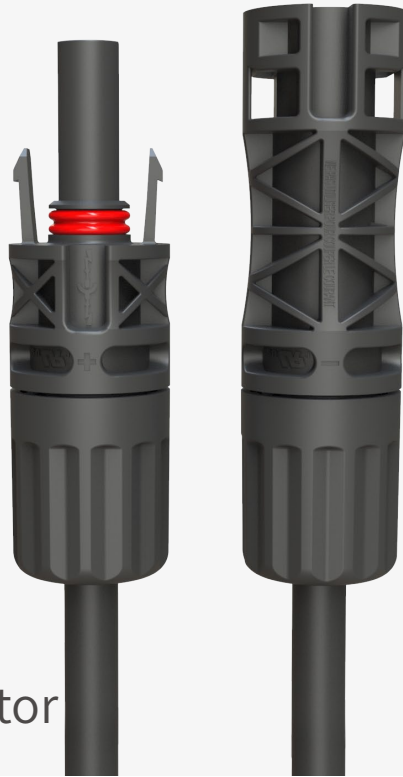


产品规格书

Product Specification



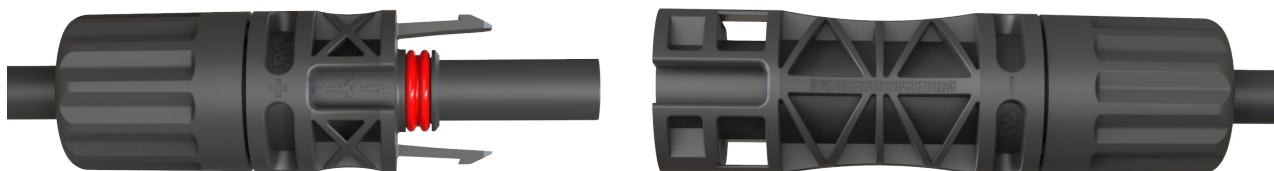
QC4.10-mate 连接器
QC4.10-mate Connector

承认签章 (Confirmation)					
快可承认 (QC Solar confirmation)			客户承认 (Customer confirmation)		
批准 Approved by	审核 Audited by	设计 Designed by	采购 Purchased by	品保 Quality Assured by	技术 Technical verified by

目录

01/ 产品外观及设计性能参数 / Product appearance and technical parameters	01
02/ 连接器 BOM 清单 / Connector BOM List	02
03/ 连接器图纸 / Drawing of connector	03
04/ 连接器证书 / Certificates of connector	07

1. 产品外观及设计性能参数 / Product appearance and technical parameters



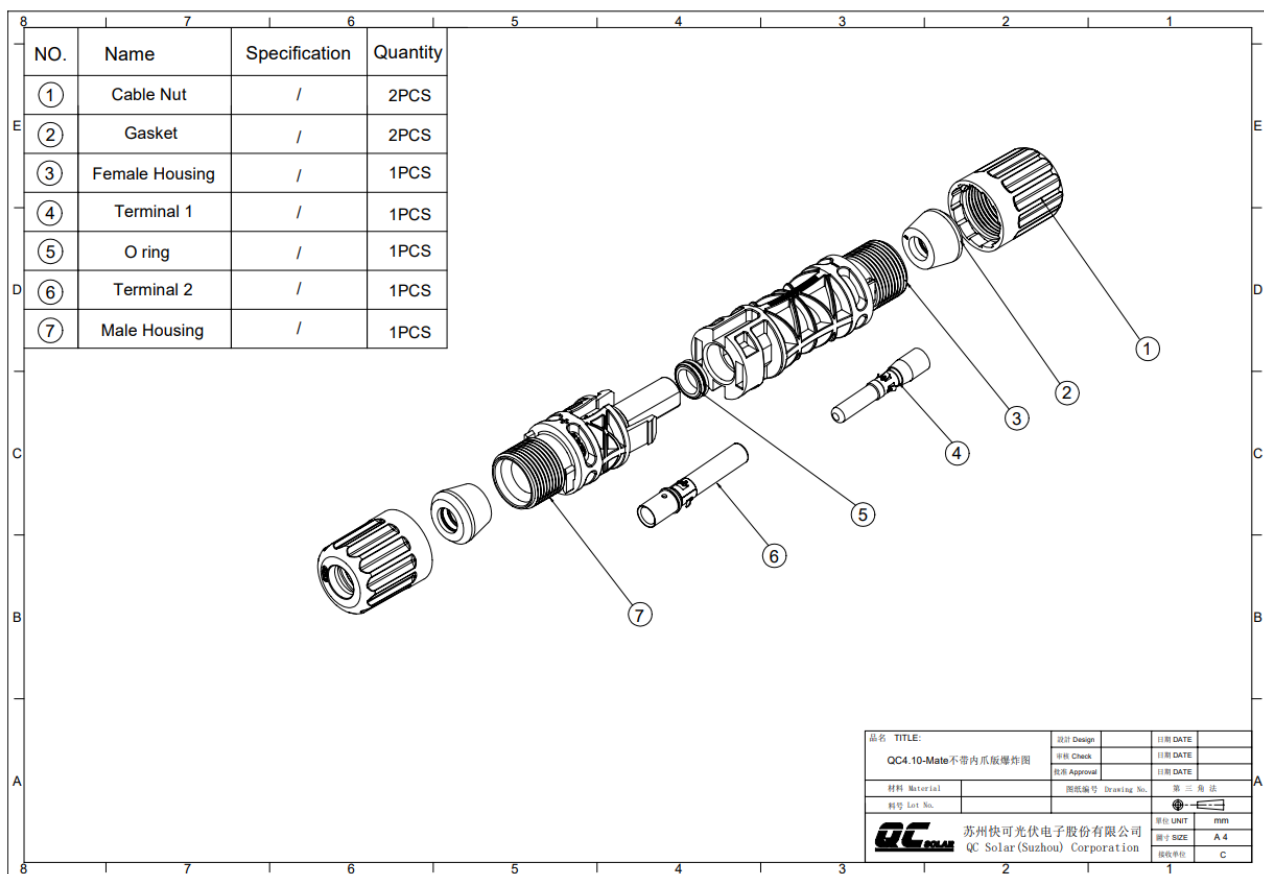
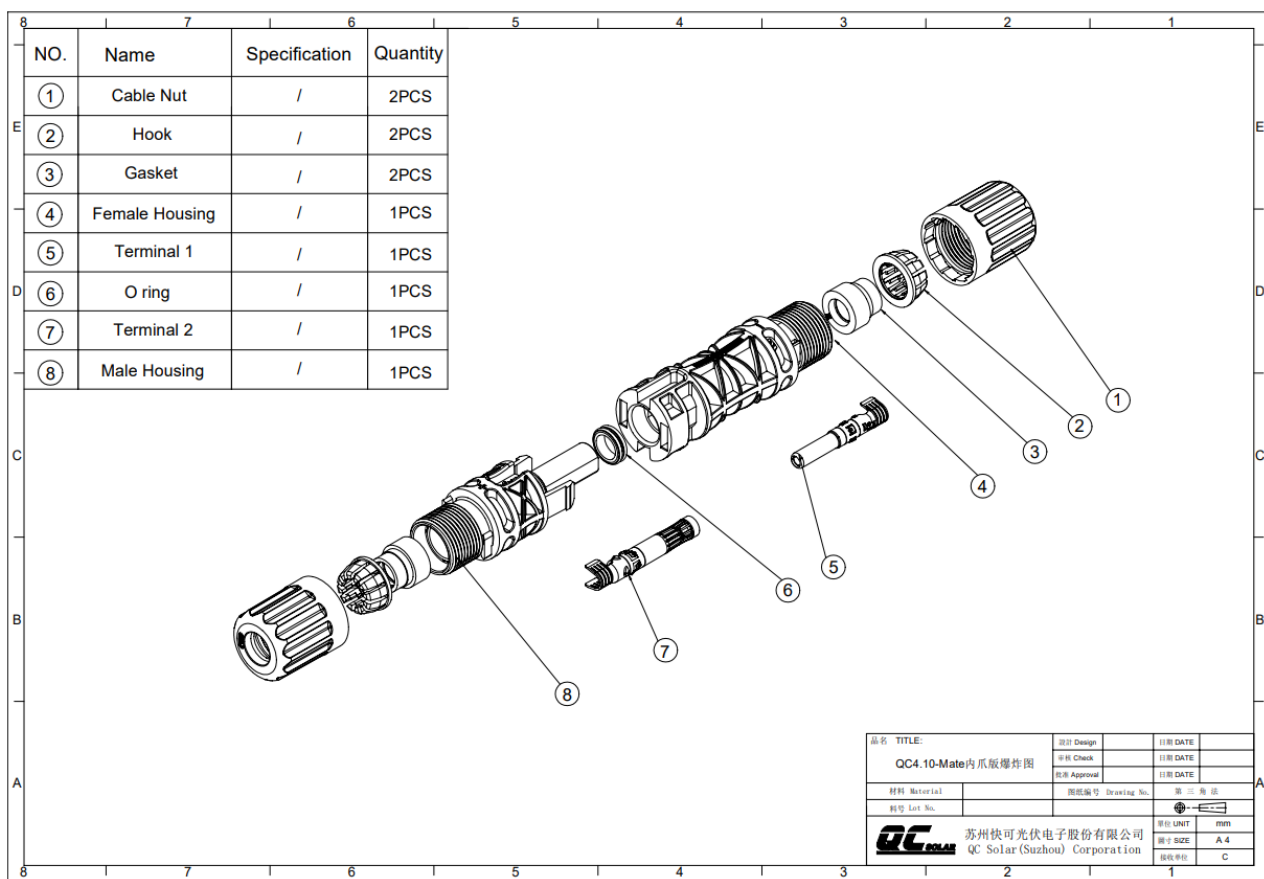
技术参数 Product Specifications

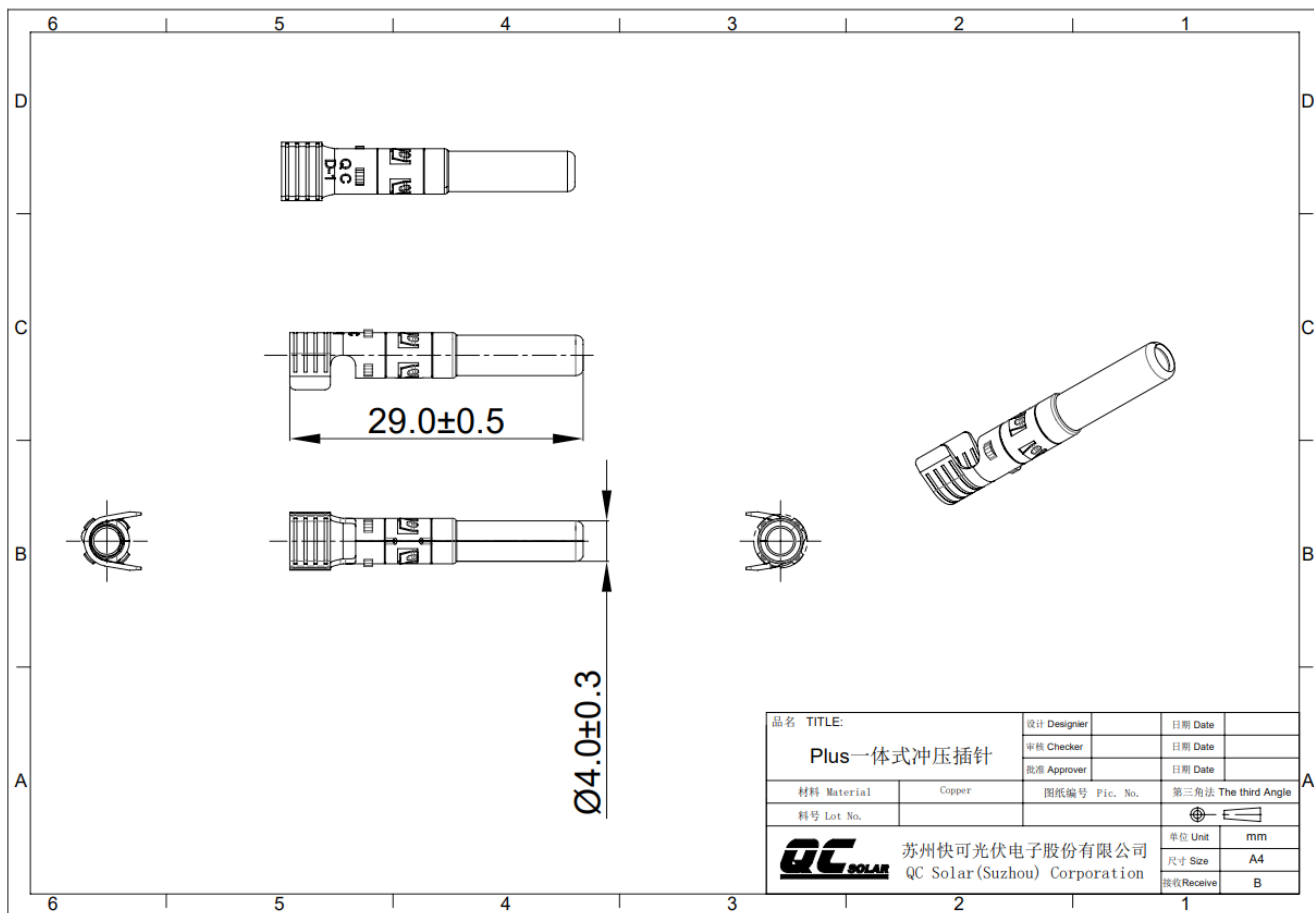
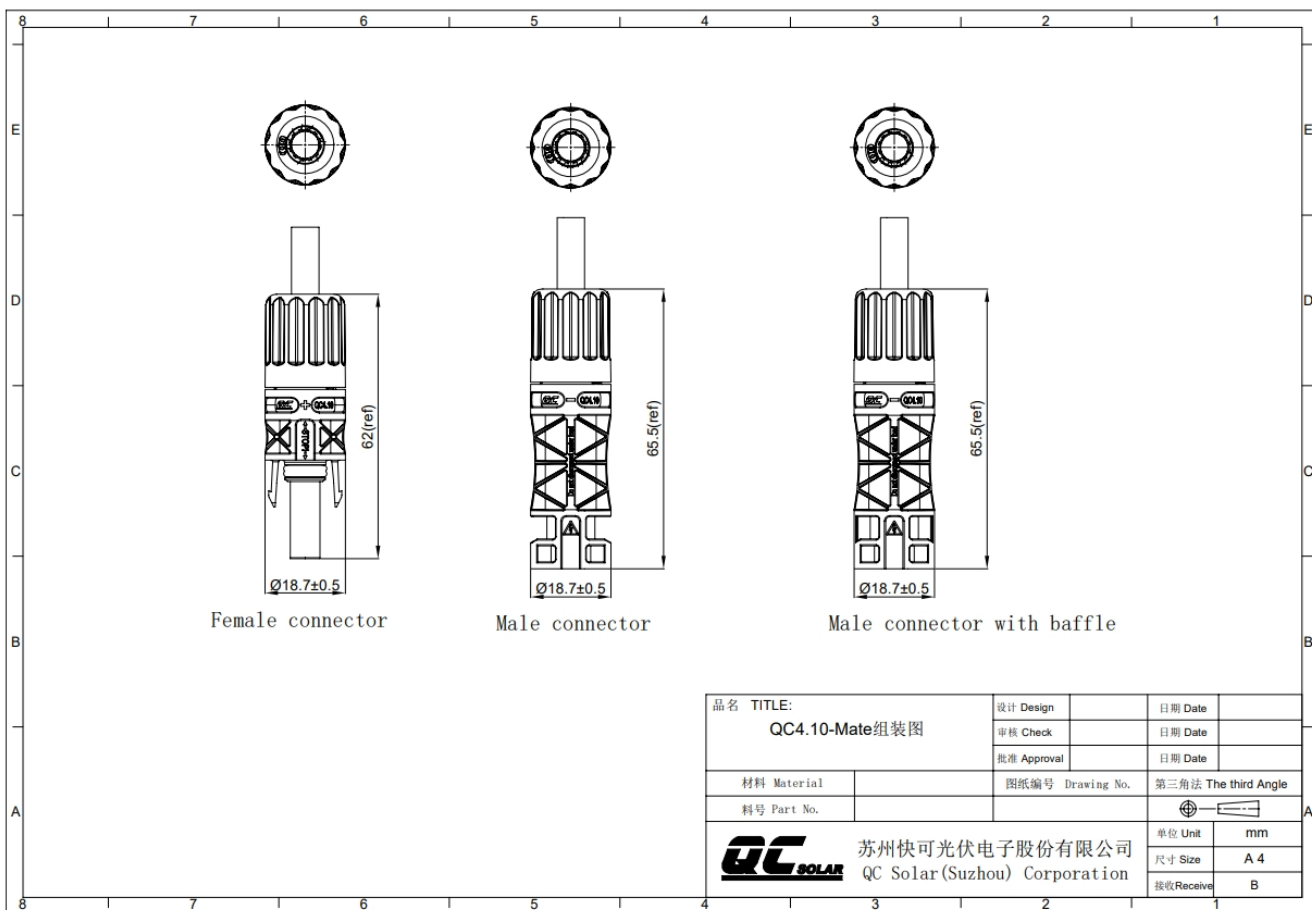
认证 Certificate	TUV	UL
名称 Product Name	QC4.10-mate	QC4.10-mate
认证型号 Certified Model	QC4.10-efs	QC4.10-a6CDEf2g1H
额定电压 Rated Voltage	IEC2000V	UL2000V
额定电流 Rated Current	41A for 2.5mm ² 46A for 4.0mm ² 55A for 6.0mm ² 70A for 10.0mm ²	30A for 14AWG 35A for 12AWG 50A for 10AWG 70A for 8AWG
线缆规格 Cable Specification	OD 4.7~8.7mm, 2.5mm ² , 4.0mm ² , 6.0mm ² , 10mm ²	OD 5.9~8.5mm, 14AWG, 12AWG, 10AWG
防护等级 IP degree	IP65/IP68(1m,1h)	N/A
安全等级 Protection Class	Class II	N/A
接触电阻 Resistance of Connector	Max 0.2mΩ	Max 0.2mΩ
防火等级 Flammability Class	UL94 V-0	UL94 V-0
温度范围 Temperature Range	-40°C~ +85°C	-40°C~ +85°C
Caution	N/A	"Do Not Disconnect Under Load: PV plug connections must not be disconnected while under load. They can be placed in a no load state by switching off the DC/AC converter or breaking the AC circuit" .

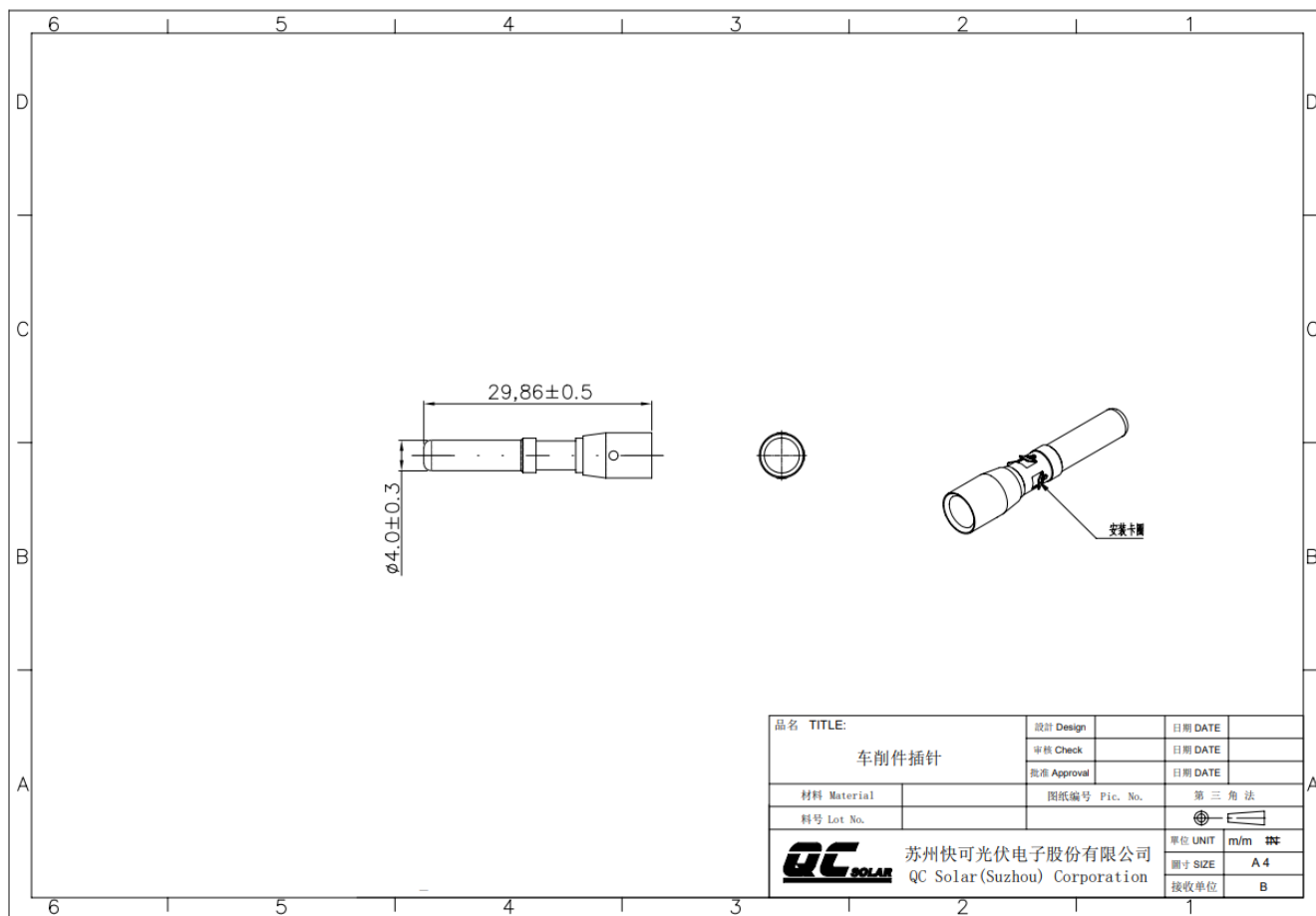
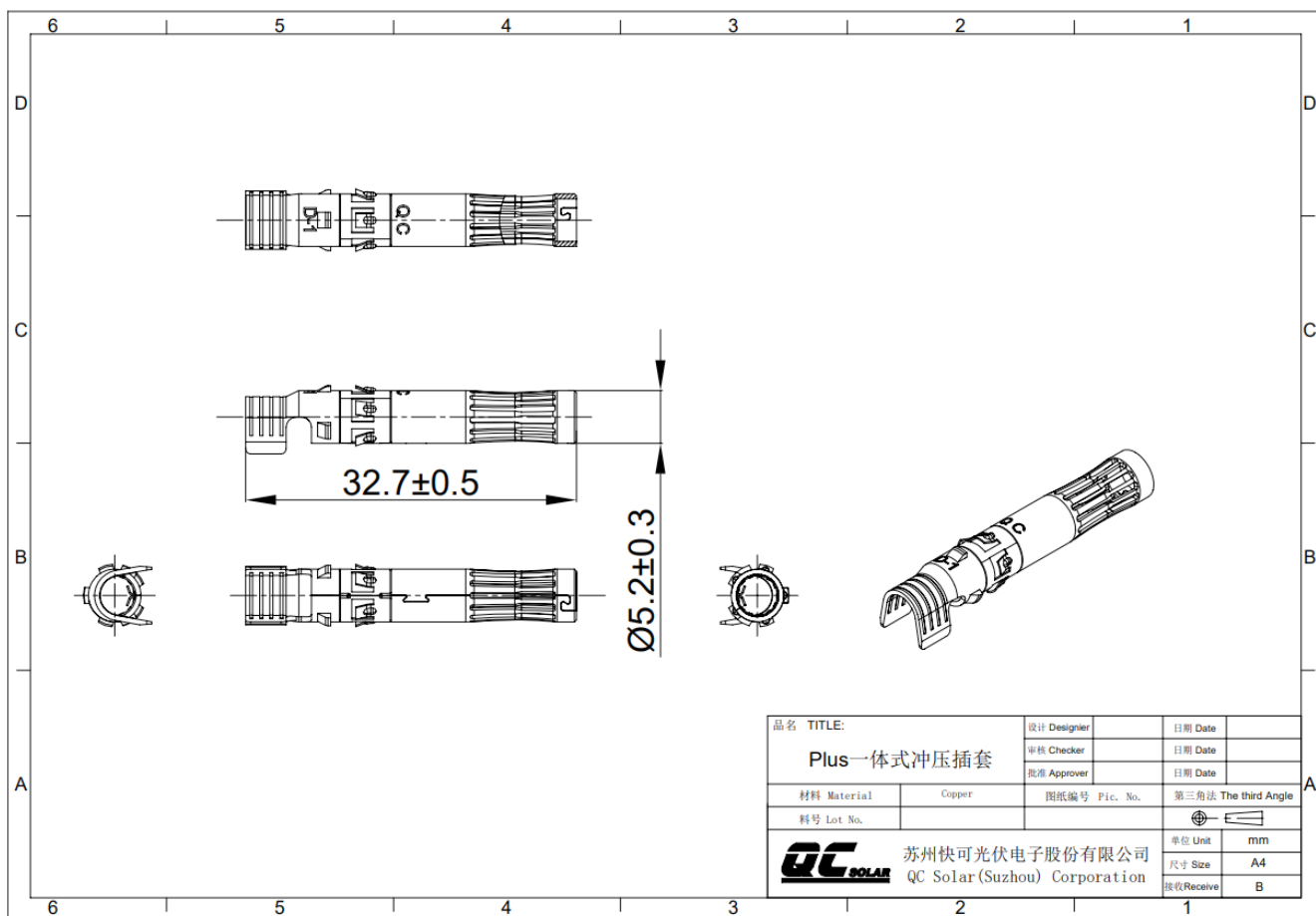
2. 连接器BOM清单 / Connector BOM List

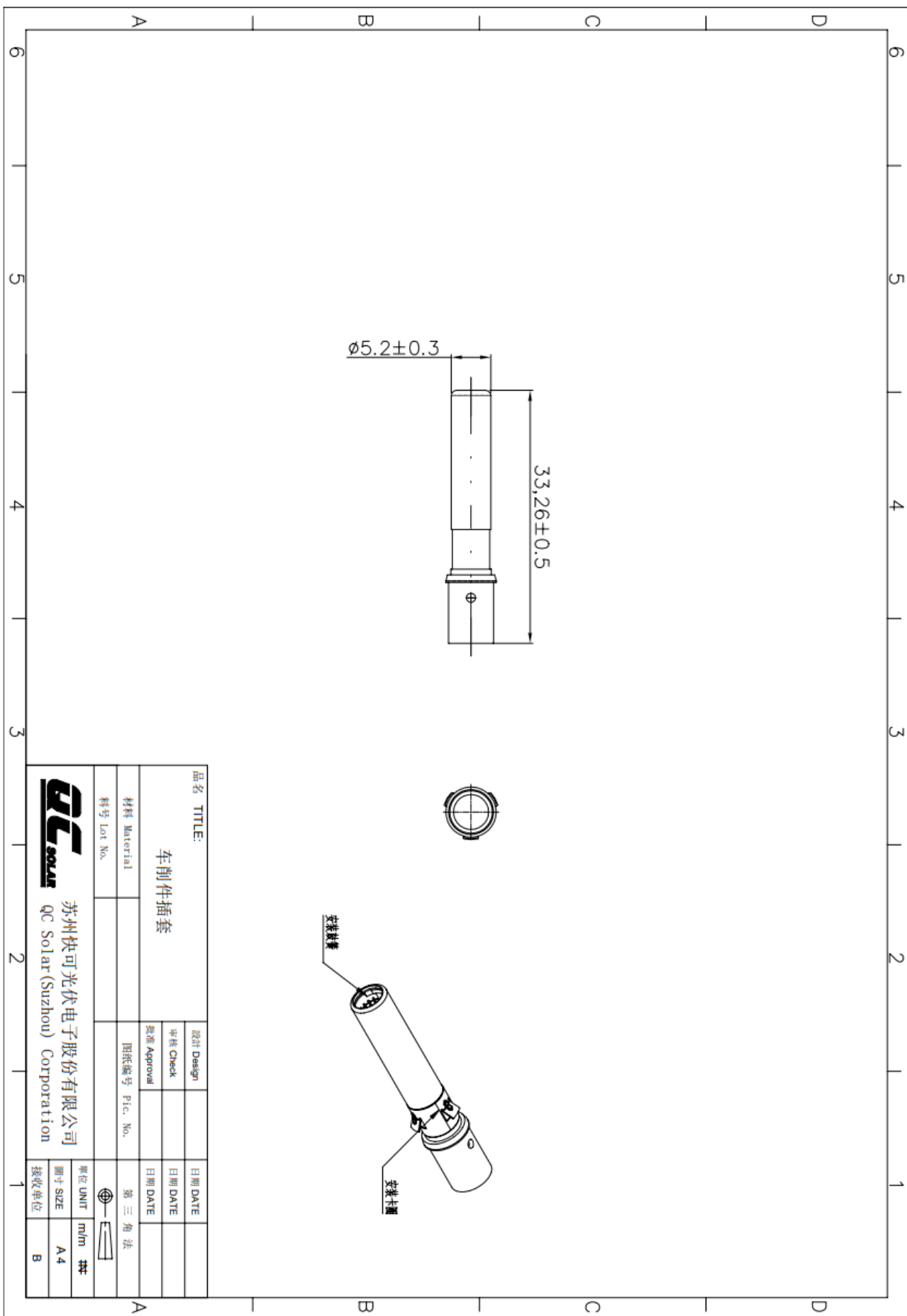
苏州快可光伏电子股份有限公司 QC Solar (Suzhou) Corporation					
产品名称 Product Name	连接器 Connector	材料清单 Bill Of Materials		版本 Version	A/0
产品型号 Model	QC4.10-mate			张数 Page	1
客户 Customer	/			发行日期 Version Date	2023.10.08
序号 NO.	名称 Description	材质 Material	生产厂商 Manufacturer	数量 Quantity	备注 Remark
1	正极本体 Female housing	尼龙	QC Solar	1 pcs	
2	负极本体 Male housing	尼龙	QC Solar	1 pcs	
3	后罩 Screw cap	尼龙	QC Solar	2 pcs	
4	内爪 Cable clamp	尼龙	QC Solar	2 pcs	选配
5	堵头 Sealing gasket	硅橡胶 Silicon rubber	QC Solar	2 pcs	规格一 :5.5-5.9 规格二 :5.8-6.2 规格三 :6.2-6.6 规格四 :6.6-7.0 规格五 :7.0-7.4 规格六 :7.2-8.7
6	M型密封圈	硅橡胶 Silicon rubber	QC Solar	1 pcs	
7	冲压插针或 车削插针	铜镀锡 Tin-plated copper	QC Solar	1 pcs	
8	冲压插套或 车削插套	铜镀锡 Tin-plated copper	QC Solar	1 pcs	
以上原料符合欧盟 ROHS 要求 All the materials above are subject to RoHS requirement.					
制表: Written By:		审核: Reviewed By:		批准: Approved By:	



3. 连接器图纸 / Drawing of connector









品名 TITLE:		设计 Design	日期 DATE
车削件插套		审核 Check	日期 DATE
材料 Material	批准 Approval	图纸编号 Pic. No.	日期 DATE
料号 Lot No.			第三角法
 苏州快可光伏电子股份有限公司 QC Solar (Suzhou) Corporation		 单位 UNIT 图子 SIZE 接收单位	m/m A 4 B

4. 连接器证书 / Certificates of connector

ZERTIFIKAT CERTIFICATE

ZERTIFIKAT CERTIFICATE

ZERTIFIKAT CERTIFICATE

Zertifikat Certificate

Zertifikat No. Certificate No.
R 50578420

Blatt Sheet
0003

Hersteller Client Reference
P. Q. 31

Hersteller Our Reference
03-001-00239/001_002

Anstellungsdatum
30.03.2024

Geschäftsführer License Holder
QC Solar (Suzhou) Corporation
No. 31, Xinfu Road, SIP
Suzhou
215123 Jiangsu
P.R. China

Fertigstellungs Manufacturing Plant
QC Solar (Suzhou) Corp
No. 31, Xinfu Road, SIP
Suzhou
215123 Jiangsu
P.R. China

Prüftechnischer Test Mark
TUV SUD

Copyright nach Trademark
© 2024 TUV SUD

Zertifiziertes Produkt (Certificate/Designation)
Zertifiziertes Produkt (Certificate/Designation)
Lieferant Lieferant
Rechner Solarkomponente (PV Components for BOS - electrical)

Typ Bezeichnung
QCC4-10-m2E
(OC)
10-3, 10-2, 10-1, 10-4, 5, 6 (OC 1); 8-2;
(OC)

Rated Current
413 For (-) or 3, (-) 4-4; 8-2;
444 For (-) or 2, (-) 5-5; 8-2;
508 For (-) or 2, (-) 6-6; 8-2;
704 For (-) or 2, (-) 7-7; 8-2;

Cross Section Range
1 x 4, 4mm² For 44A;
1 x 4, 6mm² For 50A;
1 x 10, 10mm² For 70A

AMLAGE (Appendix) : 1.1

Zertifizierungsstelle
TUV Rheinland LGA Produkt GmbH, Tillystraße 2, 98411 Nürnberg
Tel: +49 (0)911 2979700 Fax: +49 (0)911 2979702
www.rheinland-tuv.com

Certificate of Compliance

UL Solutions

UL Solutions

UL Solutions

ZERTIFIKAT CERTIFICATE

ZERTIFIKAT CERTIFICATE

ZERTIFIKAT CERTIFICATE

Zertifikat Certificate

Zertifikat No. Certificate No.
UL-CA-240972-0

Blatt Sheet
0001

Hersteller Client Reference
P. Q. 31

Hersteller Our Reference
03-001-00239/001_002

Anstellungsdatum
30.03.2024

Geschäftsführer License Holder
QC Solar (Suzhou) Corporation
No. 31, Xinfu Road, SIP
Suzhou
215123 Jiangsu
P.R. China

Fertigstellungs Manufacturing Plant
QC Solar (Suzhou) Corp
No. 31, Xinfu Road, SIP
Suzhou
215123 Jiangsu
P.R. China

Prüftechnischer Test Mark
TUV SUD

Copyright nach Trademark
© 2024 TUV SUD

Zertifiziertes Produkt (Certificate/Designation)
Zertifiziertes Produkt (Certificate/Designation)
Lieferant Lieferant
Rechner Solarkomponente (PV Components for BOS - electrical)

Typ Bezeichnung
QCC4-10-m2E
(OC)
10-3, 10-2, 10-1, 10-4, 5, 6 (OC 1); 8-2;
(OC)

Rated Current
413 For (-) or 3, (-) 4-4; 8-2;
444 For (-) or 2, (-) 5-5; 8-2;
508 For (-) or 2, (-) 6-6; 8-2;
704 For (-) or 2, (-) 7-7; 8-2;

Cross Section Range
1 x 4, 4mm² For 44A;
1 x 4, 6mm² For 50A;
1 x 10, 10mm² For 70A

AMLAGE (Appendix) : 1.1

Zertifizierungsstelle
TUV Rheinland LGA Produkt GmbH, Tillystraße 2, 98411 Nürnberg
Tel: +49 (0)911 2979700 Fax: +49 (0)911 2979702
www.rheinland-tuv.com

Certificate of Compliance

UL Solutions

UL Solutions

UL Solutions

快速可靠, 成就客户!

Quick and reliable, QC Solar devotes to satisfying customers.



苏州快可光伏电子股份有限公司

QC Solar (Suzhou) Corporation

 中国苏州工业园区新发路 31 号 (No.31,Xinfa Road,SIP,Suzhou,China, 215123.)

 0086-0512-62603392

 market@quick-contact.com

 www.quick-contact.com



快可官方微信