

# 产品规格书

## Product Specification



### AC01- 连接器

AC01- connector

承认签章 (Confirmation)					
快可承认 (QC Solar confirmation)			客户承认 (Customer confirmation)		
批准 Approved by	审核 Audited by	设计 Designed by	采购 Purchased by	品保 Quality Assured by	技术 Technical verified by

# 目录

---

01/ 产品外观及设计性能参数 / Product appearance and technical parameters ·····	01
02/ 连接器 BOM 清单 / Connector BOM List ·····	03
03/ 连接器图纸 / Drawing of connector ·····	04
04/ 连接器证书 / Certificates of connector ·····	05

## 1. 产品外观及设计性能参数 / Product appearance and technical parameters



产品外观设计 Product appearance		
分离状态 State of separation	AC01-WM	
	AC01-WF	
对插状态 State of after the insertion	AC01-WF 与 AC01-WM 对插	

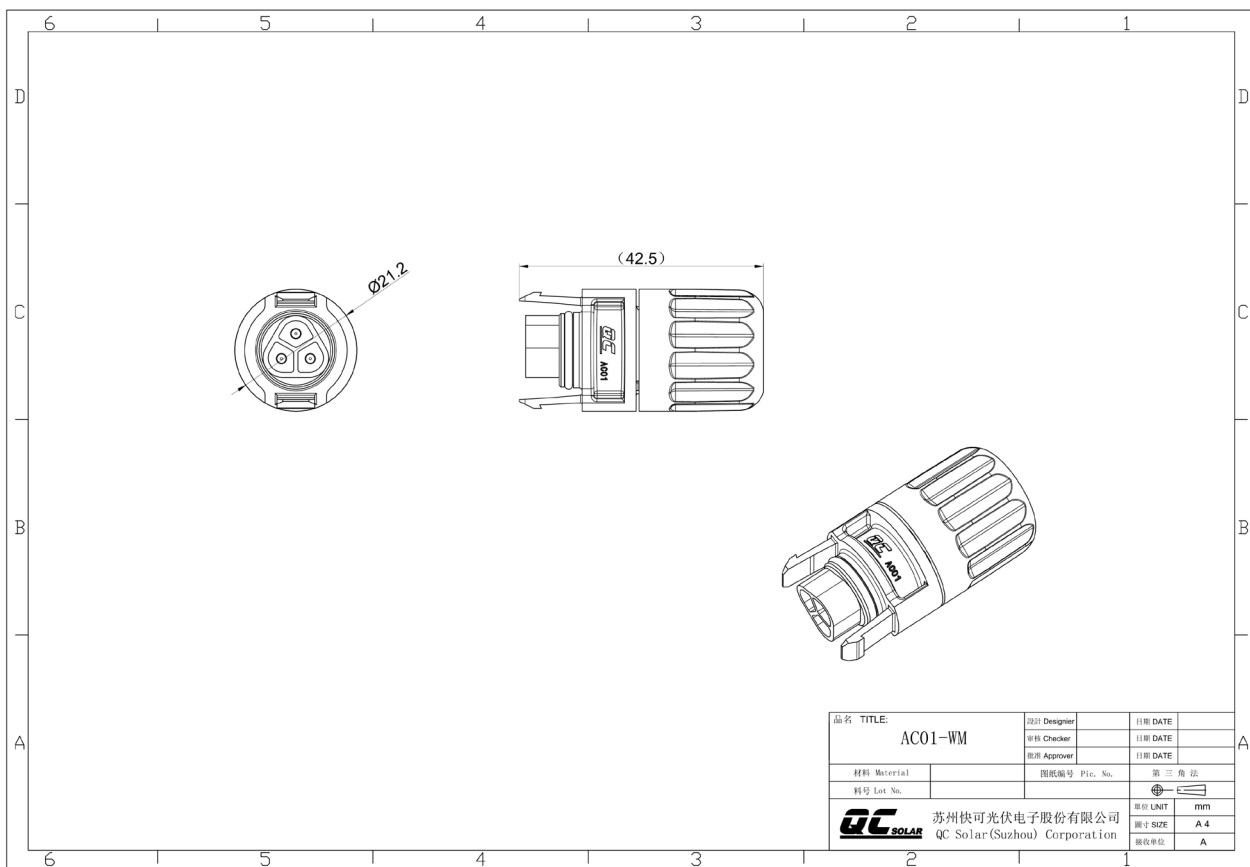
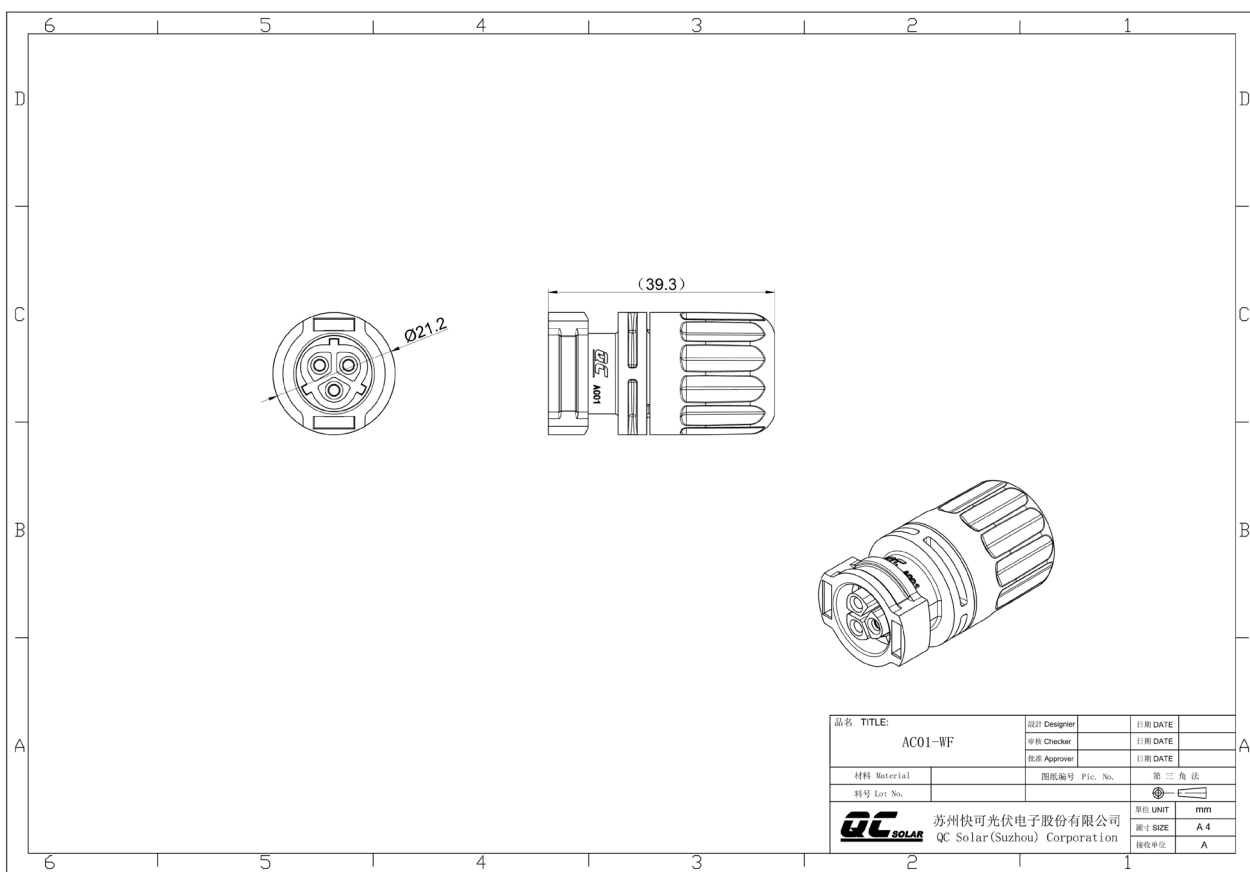
## 性能参数 design performance parameters

电极芯数 Electrode number	三芯 (L+N+PE)
额定电压 Rated voltage	300V AC
额定电流 Rated current	10A
额定冲击电压 Dielectric withstand voltage	3000V
端子材质 Material of pin	铜合金 Copper alloy
外壳材质 House material	PA66
外壳防火等级 Enclosure flame class	V-0
污染等级 Pollution degree	Class II
防护等级 Protection Degree	IP68
接触电阻 Insulation resistance	$\leq 5\text{m}\Omega$
环境温度 Applicable environment temperature	-40°C~ +85°C
适用线缆 Outer cable	规格 3*1.0mm <sup>2</sup> , 线缆外径 6-8.4mm Specification 3*1.0mm <sup>2</sup> mm <sup>2</sup> , Diameter 6-8.4mm
产品标准 Standards	EN61984

## 2. 连接器BOM清单 / Connector BOM List

苏州快可光伏电子股份有限公司 QC Solar (Suzhou) Corporation						
产品名称 Product Name		连接器 Connector		版本 Version	A/0	
产品型号 Type		AC01		张数 Page	1	
客户 Customer		/		发行日期 Version Date	2022.11.08	
序号 No.	名称 Name	材质 Material	生产厂商 Manufacturer	数量 Quantity	备注 Remark	
AC01-WM	1	公插本体 Male housing	PA66	QC Solar	1 pcs	
	2	螺帽 Cable clamp	PA66	QC Solar	1 pcs	
	3	插针支架 Metal plug bracket	PA66	QC Solar	1 pcs	
	4	插针 Metal plug	铜合金 Copper alloy	QC Solar	3 pcs	
	5	内爪 Screw cap	PA66	QC Solar	1 pcs	
	6	O型圈 O sealing ring	硅橡胶 Silicon rubber	QC Solar	1 pcs	
	7	堵头 Sealing gasket	硅橡胶 Silicon rubber	QC Solar	1 pcs	
AC01-WF	1	母插本体 Female housing	PA66	QC Solar	1 pcs	
	2	螺帽 Cable clamp	PA66	QC Solar	1 pcs	
	3	插套支架 Metal socket brackett	PA66	QC Solar	1 pcs	
	4	插套 Metal socket	铜合金 Copper alloy	QC Solar	3 pcs	
	5	内爪 Screw cap	PA66	QC Solar	1 pcs	
	6	堵头 Sealing gasket	硅橡胶 Silicon rubber	QC Solar	1 pcs	
以上原料符合欧盟 ROHS 要求 Above materials matched the ROHS rules						
制表： Written By:		审核： Checked by:		批准： Approved By:		

### 3. 连接器图纸 / Drawing of connector



## 4.连接器证书 / Certificates of connector



# 快速可靠, 成就客户!


Quick and reliable, QC Solar devotes to satisfying customers.



苏州快可光伏电子股份有限公司

QC Solar (Suzhou) Corporation

 中国苏州工业园区新发路 31 号 (No.31,Xinfa Road,SIP,Suzhou,China, 215123.)

 0086-0512-62603392

 market@quick-contact.com

 www.quick-contact.com



快可官方微信