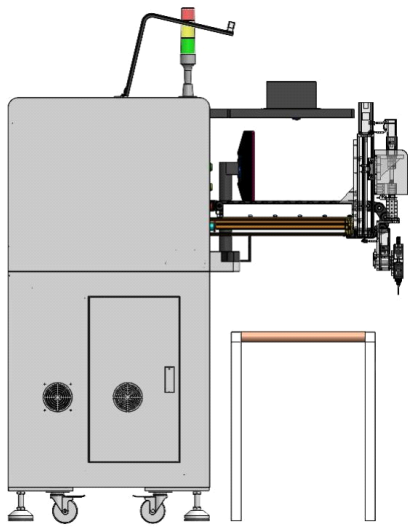




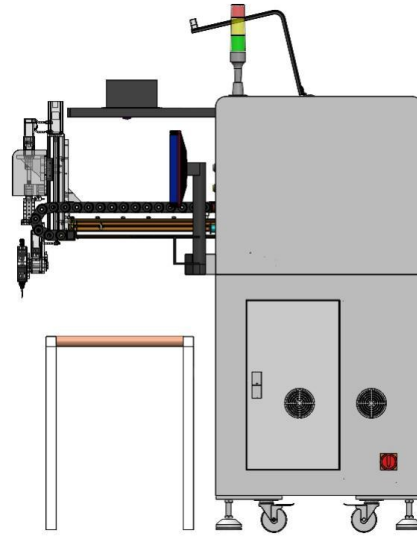
5-Axis Vision Following Dispensing Machine

UPKTECH ZDS-730B

■ Equipment picture



*Left side of the machine



*Right side of the machine

■ Feeding system

Standard

Option



300ml Single-Cylinder Barrel



2600ml Dual-Cylinder Feeding System



2600ml Dual-Screw Pump Feeding System



300ml Single-Screw Pump Feeding System

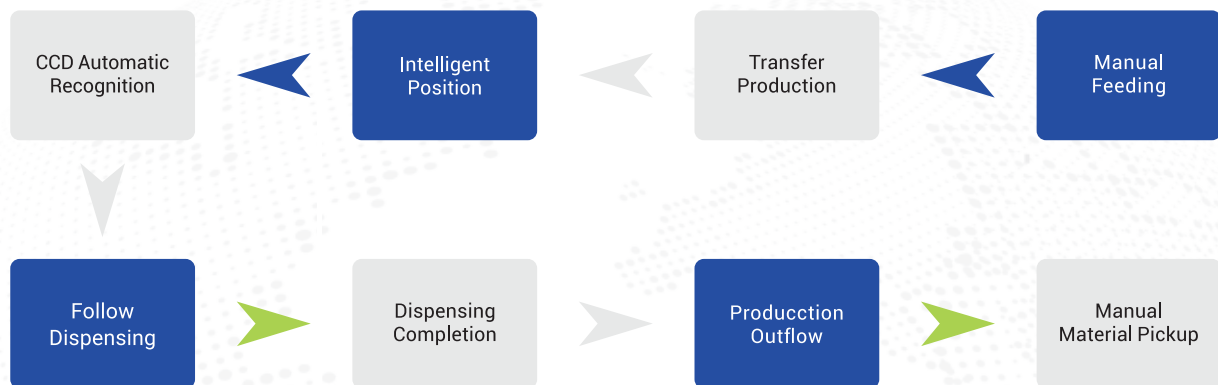


300ml Dual-Screw Pump Feeding System

■ Equipment picture

Name & Specification	Unit	Quantity	Remark
Feeding System	set	1	300ml 300ml Single Barrel
Feeding System	set	1	300ml Single-Cylinder Barre
Feeding System	set	1	300ml Single-Screw Pump Feeding System
Feeding System	set	1	300ml Dual-Screw Pump Feeding System
Feeding System	set	1	2600ml Single-Cylinder Feeding System
Feeding System	set	1	2600ml Dual-Cylinder Feeding System
Feeding System	set	1	2600ml Single-Screw Pump Feeding System
Feeding System	set	1	2600ml Dual-Screw Pump Feeding System

■ Equipment operation process



■ Parameters

Model	ZDS-730B
Equipment Dimensions L*W*H	L1100mm*W820mm*H1750mm
X,Y,Z,U,R Axis Driver	AC Servo Driver
Number of Axes	5 Axes / Independent Control
CCD Vision Camera	1 Set, Independent Suspension
Camera Recognition Range	400*300mm
Adjustment Driving Method	Precision Ball Screw + Precision Linear Guide
Control Method	Industrial PC (IPC) + Display
Operating Ambient Temperature	0°C- +35°C
Input Power Supply	AC 220V 50-60Hz
Cantilever Length	550mm
Board Passing Dimension	L300W300 - 500H100mm
Total Power	2KW
Machine Weight	586KG
Equipment Air Pressure	0.6MPa 3m³/H
Adhesive Barrel Capacity	Original Package 300ml
Dispensing Frequency	1-3 Times/Second
Dispensing Valve	A-N03 High-Flow Dispensing Valve
Flexibility	5 Axes Independent Control
Applicable Production Line	Height: 900±20mm, Conveying Width: 350-500mm
Maximum Speed	1000mm/s
Repeatability	± 0.02mm

■ Value Introduction

High-Flow Dispensing Valve (A-N03)

The selection of valve model is for reference only; subject to actual sample testing.



Features and Advantages: The A-N03 single-component dispensing valve is an adhesive-discharging valve that uses compressed air to push the adhesive inside the valve body, enabling the adhesive to flow uniformly from the valve body to the dispensing outlet. It features low internal flow rate, constant volume, uniform and stable adhesive output, adhesive volume calibration function, and suck-back function to prevent dripping and stringing.

Application Scope: Single-component fluids such as adhesives, paints, alcohol, white latex, greases, and inks.

Applicable Viscosity Range: 1-100000cps

Dispensing Speed: <60/s

Service Life: Related to factors such as compressed air quality; it is recommended to check the internal consumables every 60 working days. In addition, the pipeline must be cleaned with matching thinner after each use.

■ Equipment functions

- No tooling fixtures/jigs required.
- No dedicated personnel on duty required; no manual supervision needed after program setup for product changeover.
- Products can be placed randomly in the same direction, with vision automatic positioning and tracking for dispensing.
- High scalability for dispensing operations. •Supports dispensing patterns: dots, straight lines, continuous lines, arcs, and circles.
- Compatible with the customer's existing roller conveyor line.
- Seamless connection with assembly belt conveyor lines; no modification to the production line structure or equipment required.

■ Production Line Configuration

- The machine can be equipped with one 2000mm-long, 900mm-high conveyor line, which is used in conjunction with the machine to realize automatic dispensing.
- Seamless connection with assembly belt conveyor lines; no modification to the production line structure or equipment required.

■ Main Configuration List

Component Name	Brand	Unit
Circuit Breaker	Chint	Piece
Fuse	Chint	Piece
AC Contactor	Chint	Piece
Relay	Chint	Piece
Switching Power Supply	Mean Well	Piece
Switch Button	Yijia	Piece
Solenoid Valve	Air TAC	Piece
Air Source Treatment Unit	Air TAC	Piece
Digital Display Meter	Air TAC	Piece
Pressure Regulator	Air TAC	Piece
Relay	Panasonic	Piece
Pneumatic Ball Valve	Air TAC	Piece
Magnetic Switch	Air TAC	Piece
Camera	Daheng	Piece
Lens	Daheng	Piece
Industrial PC (IPC)	Advantech	Unit
Display	Lenovo	Unit
Limit Sensor	Omron	Piece
Mouse	B.O.W	Piece
Keyboard	B.O.W	Piece
Signal Indicator Light	Qlight	Piece
Servo Motor (X,Y,Z U,R Axes)	Inovance Motor	Unit
Transmission Ball Screw	HIWIN	Piece
Transmission Linear Guide	HIWIN	Piece
Servo Driver	Inovance Servo Drive	Unit

* Or other brands of main accessories at the same price point



Your trusted SMT & THT total solution partner

UPKTECH Technology Limited

Head Office

Building 2, No. 5, Road 8, Yangchong Industrial Zone,
Songgang Shapu, Bao'an District, Shenzhen, China
TEL: 0755-2300 6811 FAX: 0755-2300 6812

HK Office

Unit 917A 9/F Tower a New Mandarin Plaza, No.14
Science Museum RD Tst, HK
TEL: 0852-34605868

Japan Office

3-1-26-804 Toyozumi, Prefectural Kashiwa City, Chiba,
Japan.

Thailand Office

71/9 Moo4 T.Mabphai, A.Banbueng, Chonburi
TEL: 038-198-654

Vietnam Office - LP GLOBAL

St Floor, N2 Building, Thong Nhat Apartment Complex,
Vo Cuong Ward, Bac Ninh Province, Vietnam
TEL: 0084-0338098938 TAX ID: 2301344350