

TRUSS RODS

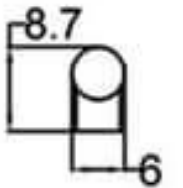
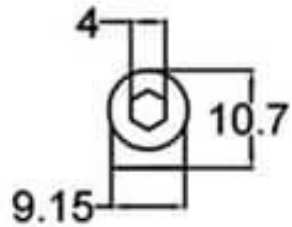


ADVANTAGES

- Strong R&D and production ability;
- Strict raw material quality control;
- Precise cutting and welding technology;
- Customize accordingly, without MOQ limitation ;
- Secured quality;
- Competitive pricing

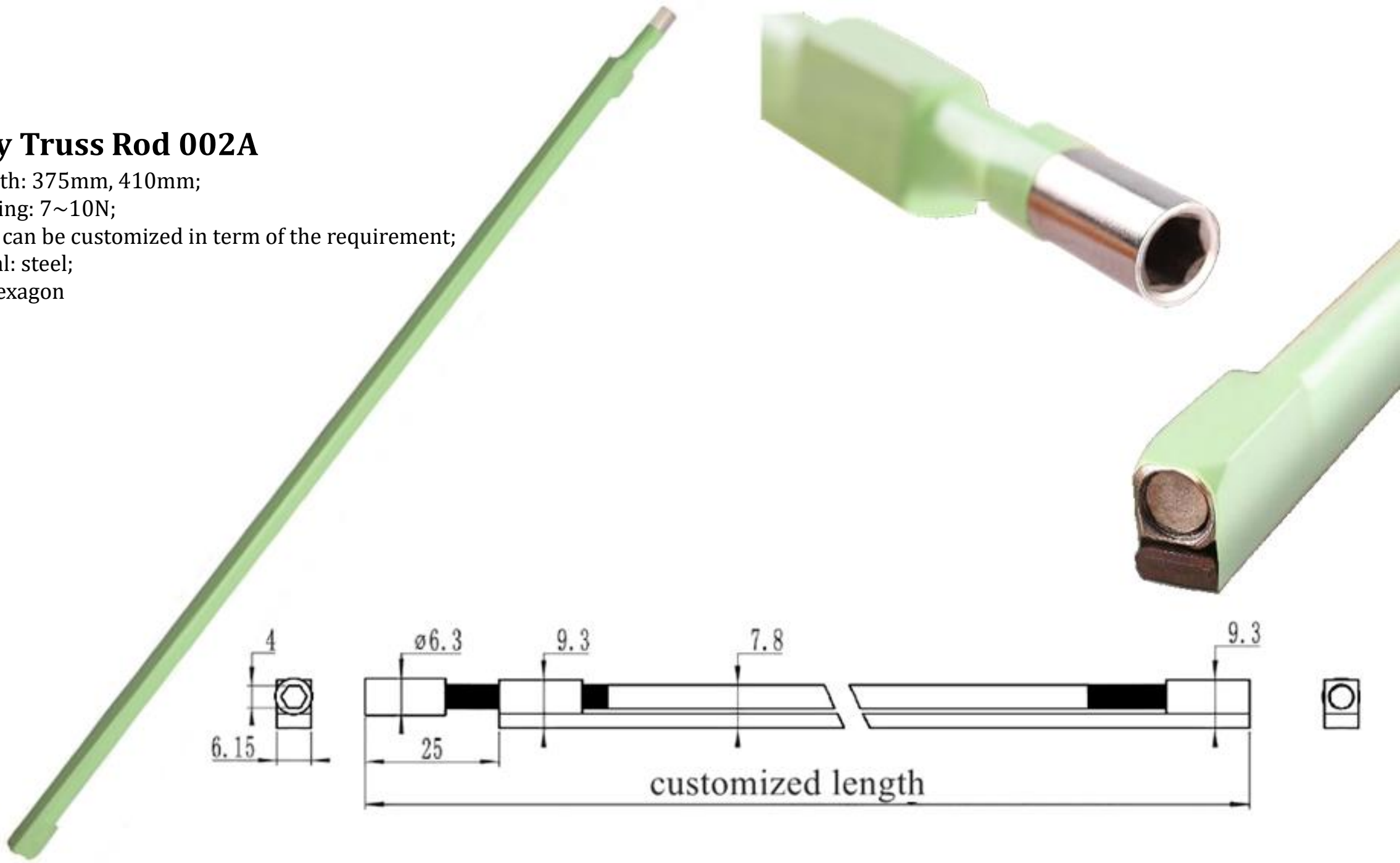
Double-way Truss Rod 001A

- Regular length: 380mm, 420mm, 440mm, 570mm;
- Torque Bearing: 7~10N;
- OEM: length can be customized in term of the requirement;
- Core Material: steel;
- Nut: inner hexagon



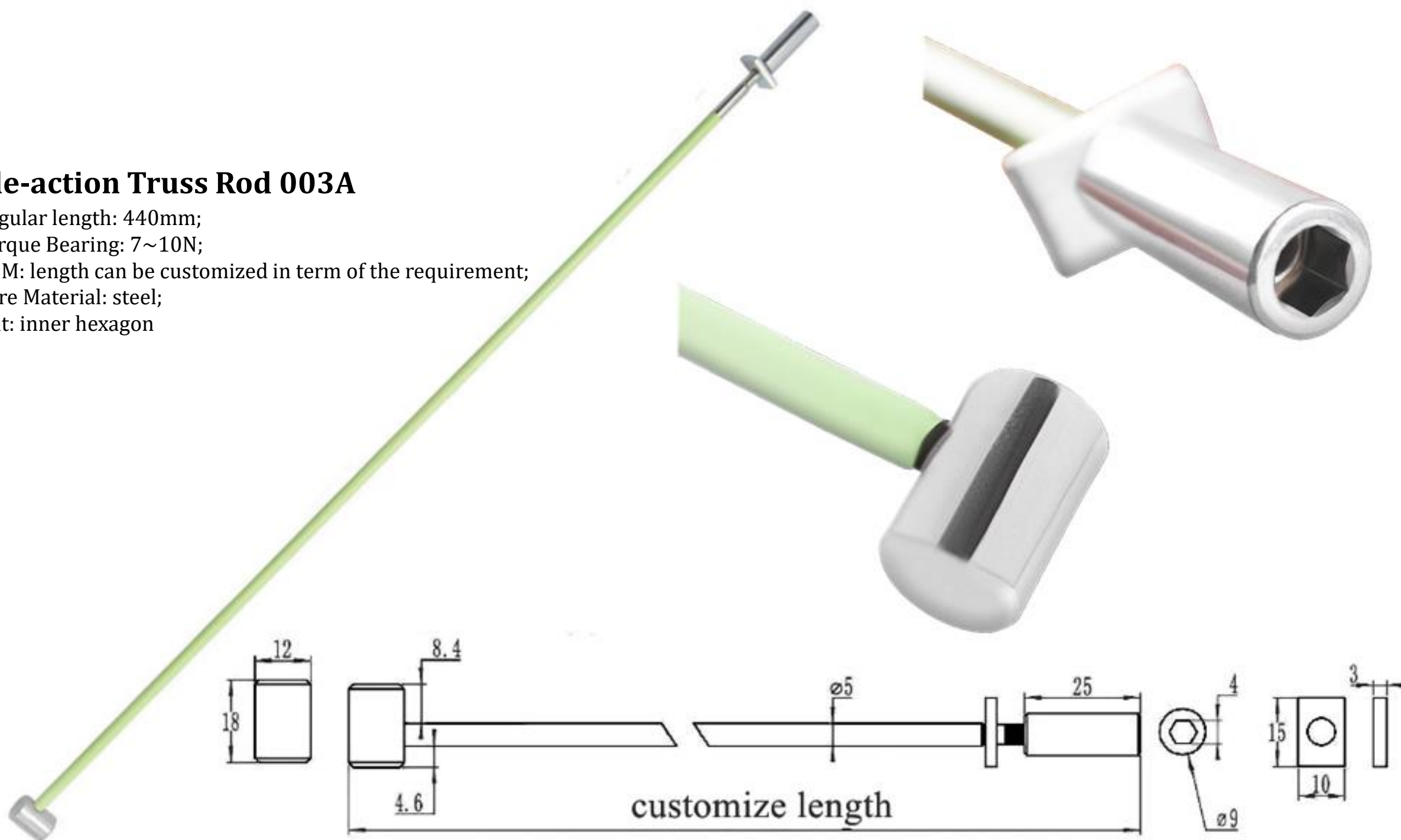
Double-way Truss Rod 002A

- Regular length: 375mm, 410mm;
- Torque Bearing: 7~10N;
- OEM: length can be customized in term of the requirement;
- Core Material: steel;
- Nut: inner hexagon



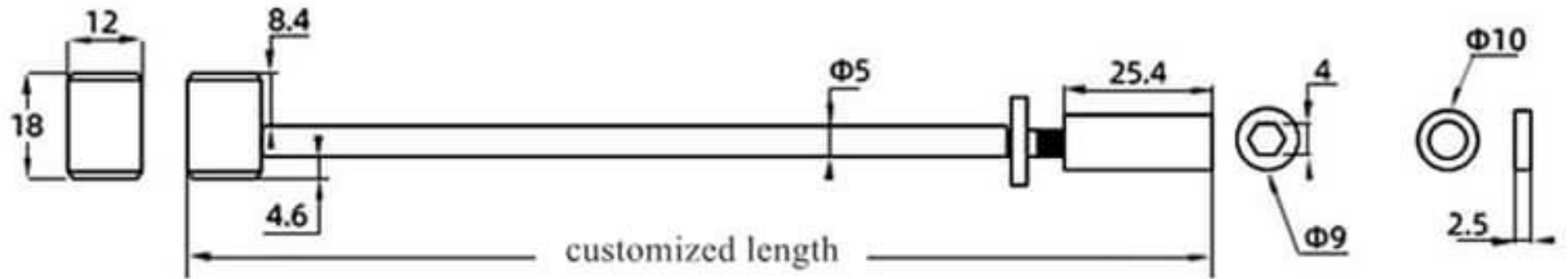
Single-action Truss Rod 003A

- Regular length: 440mm;
- Torque Bearing: 7~10N;
- OEM: length can be customized in term of the requirement;
- Core Material: steel;
- Nut: inner hexagon



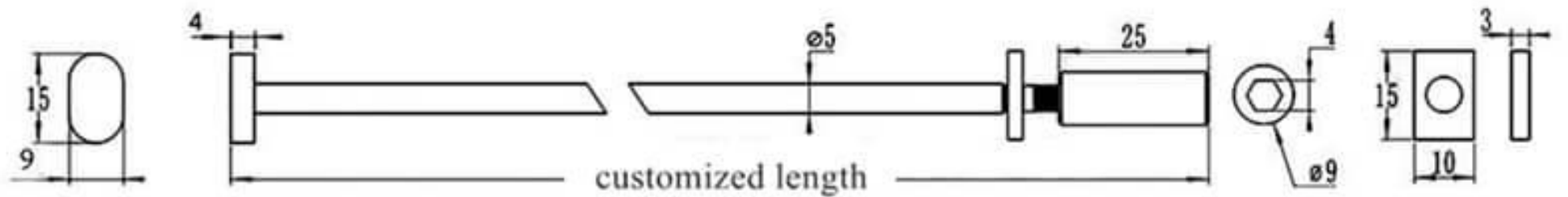
Single-action Truss Rod 004A

- Regular length: 440mm;
- Torque Bearing: 7~10N;
- OEM: length can be customized in term of the requirement;
- Core Material: steel;
- Nut: inner hexagon



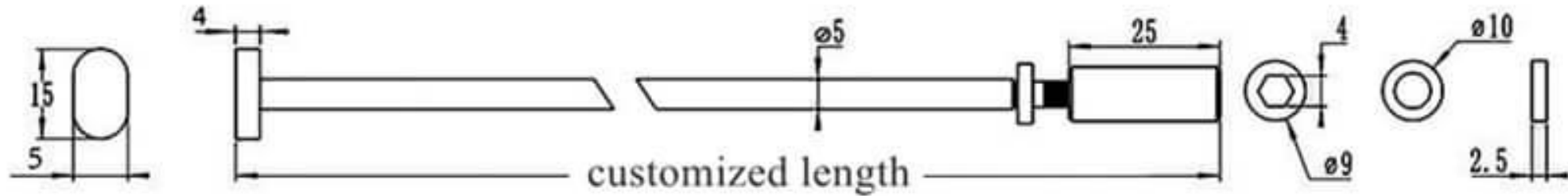
Single-action Truss Rod 005A

- Regular length: 438mm;
- Torque Bearing: 7~10N;
- OEM: length can be customized in term of the requirement;
- Core Material: steel;
- Nut: inner hexagon



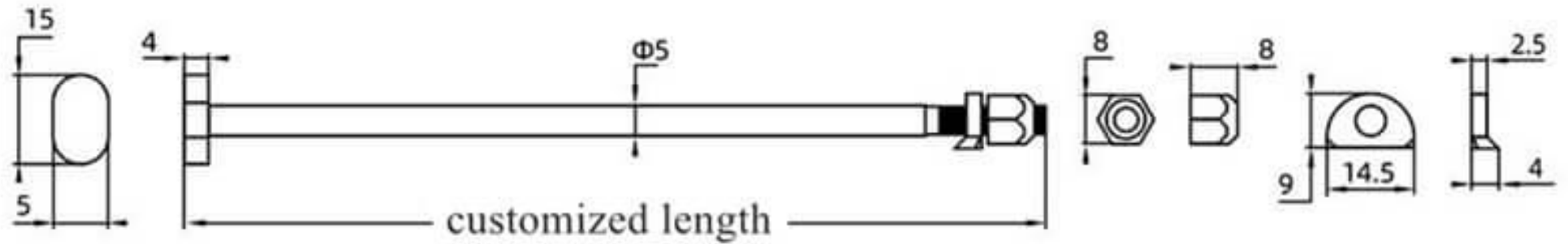
Single-action Truss Rod 006A

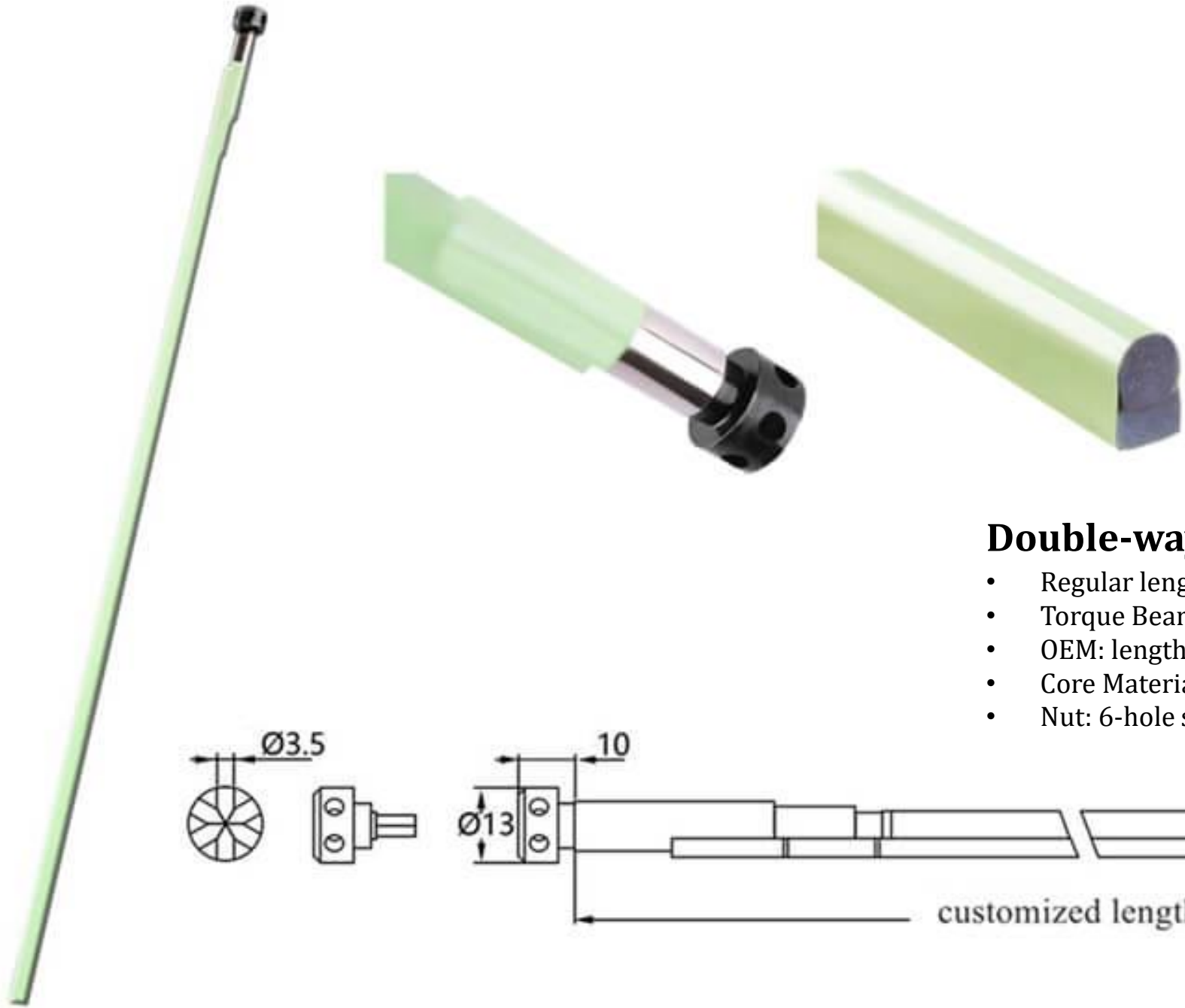
- Regular length: 438mm;
- Torque Bearing: 7~10N;
- OEM: length can be customized in term of the requirement;
- Core Material: steel;
- Nut: inner hexagon



Single-action Truss Rod 007A

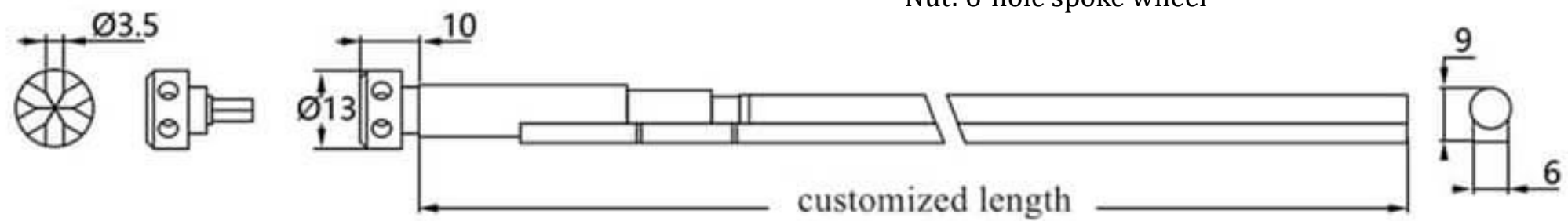
- Regular length: 438mm;
- Torque Bearing: 7~10N;
- OEM: length can be customized in term of the requirement;
- Core Material: steel;
- Nut: brass bullet outer hexagon head





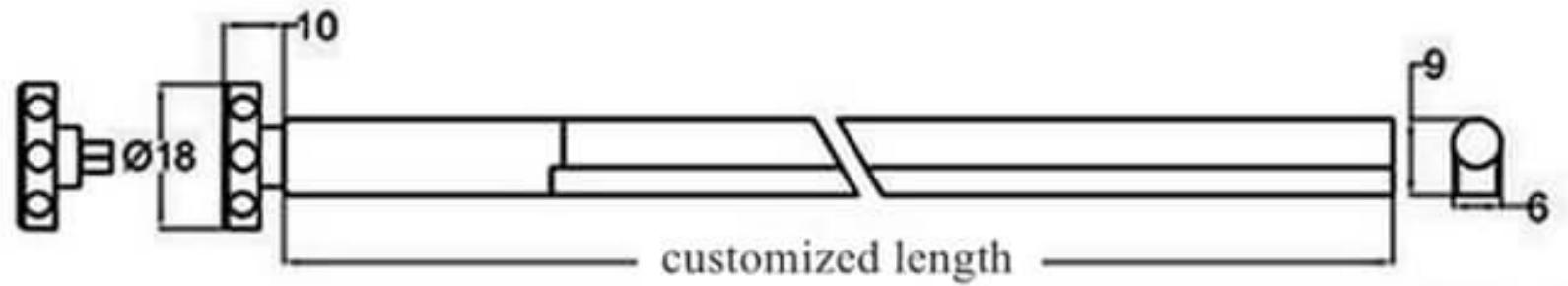
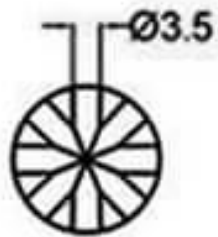
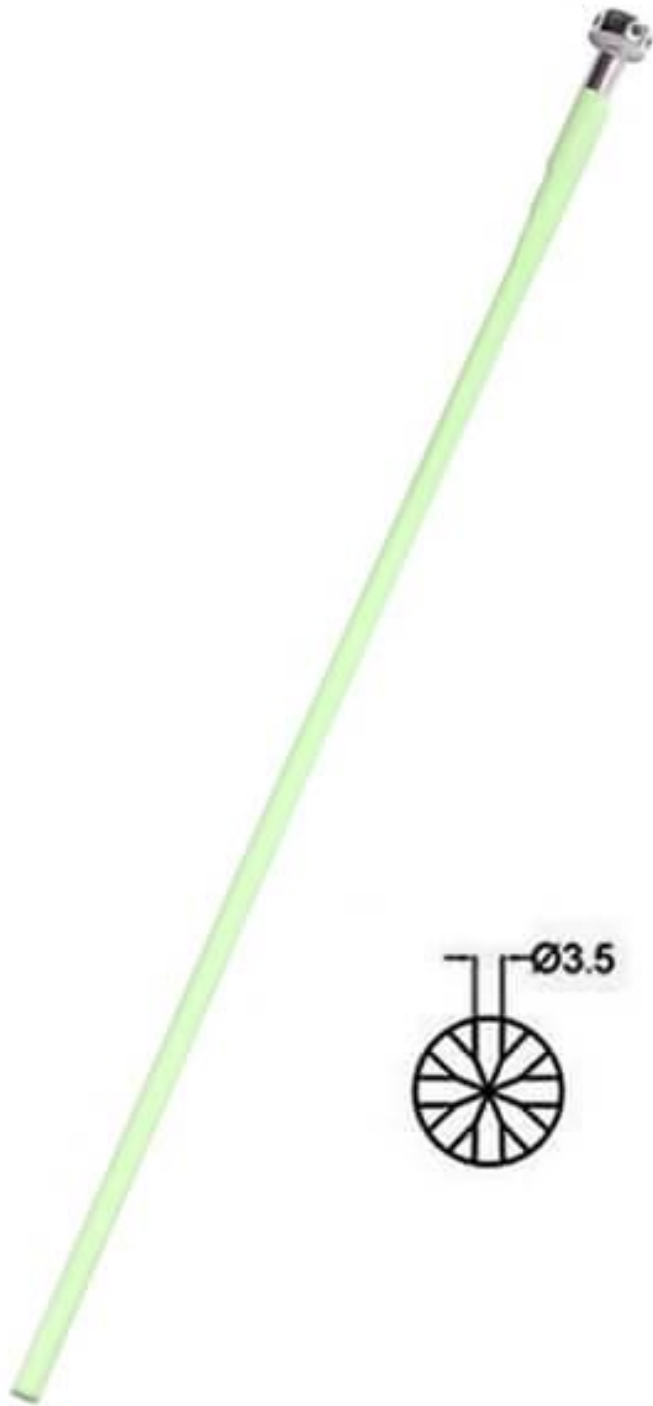
Double-way Truss Rod 008A

- Regular length: 420mm;
- Torque Bearing: 7~10N;
- OEM: length can be customized in term of the requirement;
- Core Material: steel;
- Nut: 6-hole spoke wheel



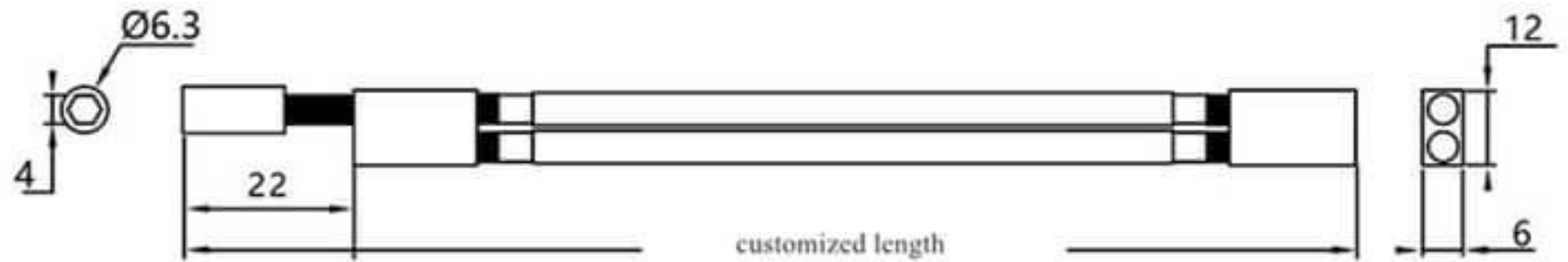
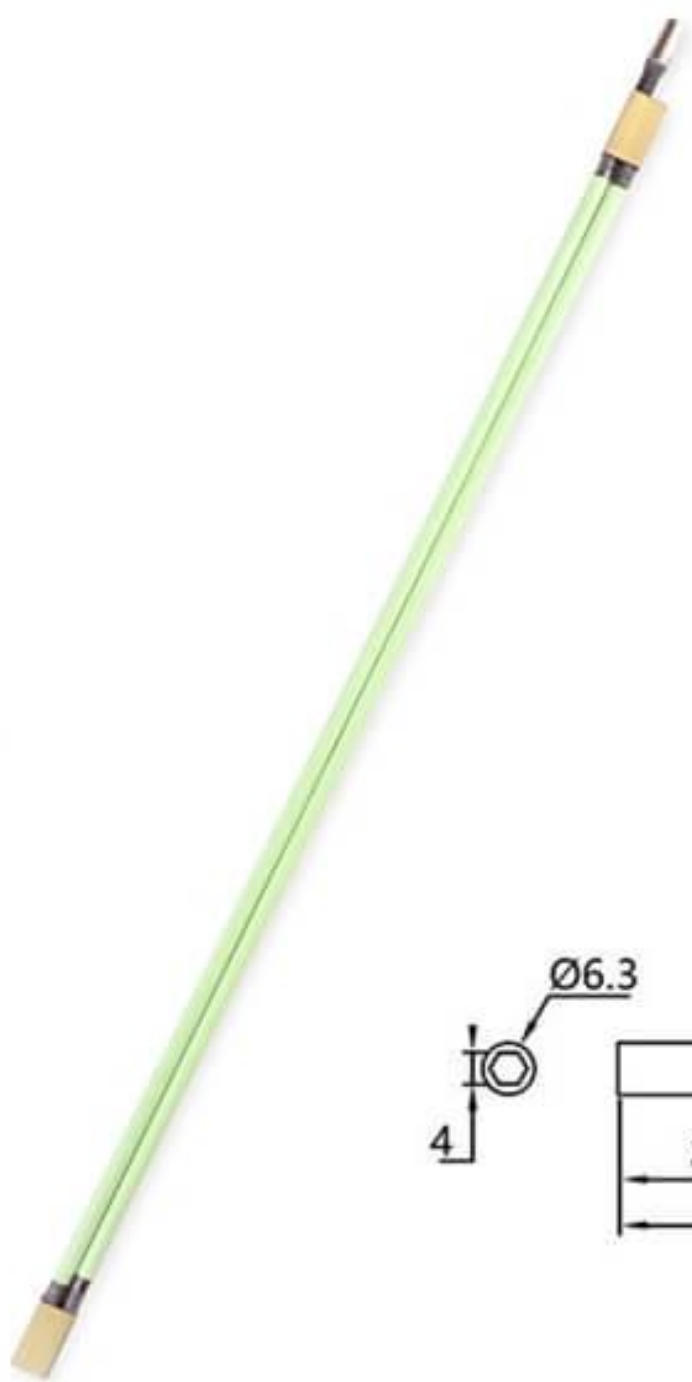
Double-way Truss Rod 009A

- Regular length: 420mm;
- Torque Bearing: 7~10N;
- OEM: length can be customized in term of the requirement;
- Core Material: steel;
- Nut: 8-hole spoke wheel



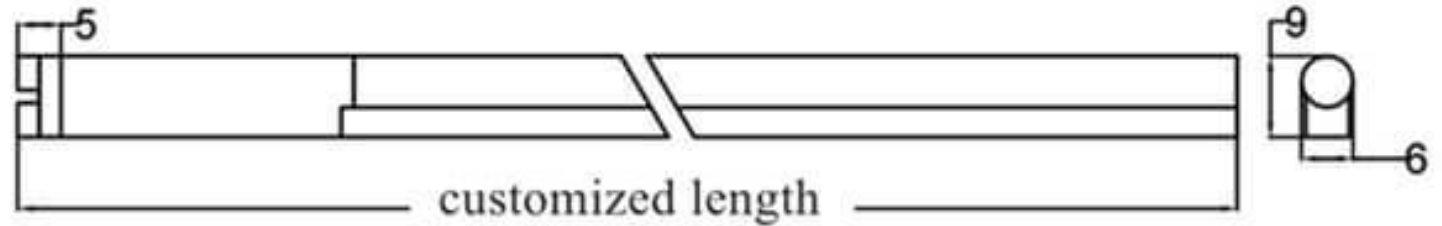
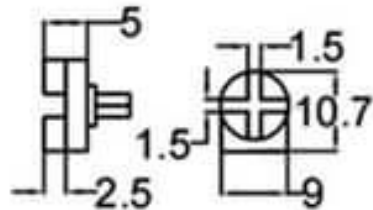
Double-way Truss Rod 011A

- Regular length: 420mm;
- Torque Bearing: 7~10N;
- OEM: length can be customized in term of the requirement;
- Core Material: steel;
- Nut: inner hexagon



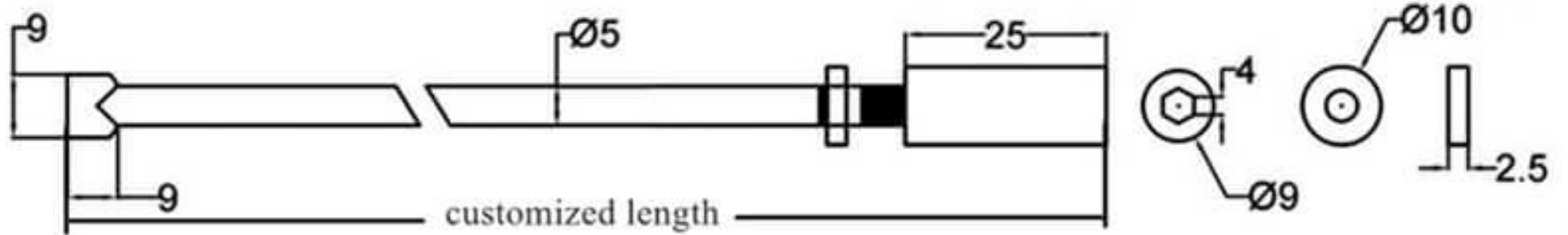
Double-way Truss Rod 012A

- Regular length: 420mm;
- Torque Bearing: 7~10N;
- OEM: length can be customized in term of the requirement;
- Core Material: steel;
- Nut: cross head



Single-action Truss Rod 013A

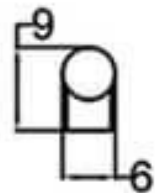
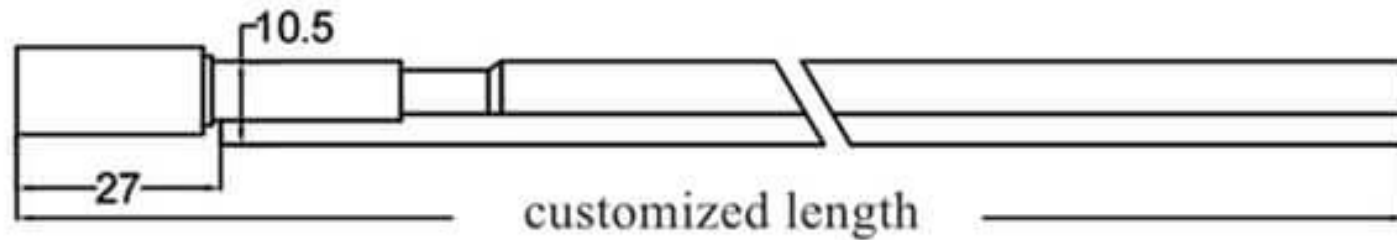
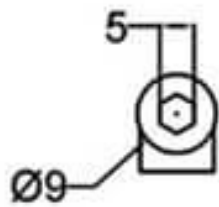
- Regular length: 440mm;
- Torque Bearing: 7~10N;
- OEM: length can be customized in term of the requirement;
- Core Material: steel;
- Nut: inner hexagon





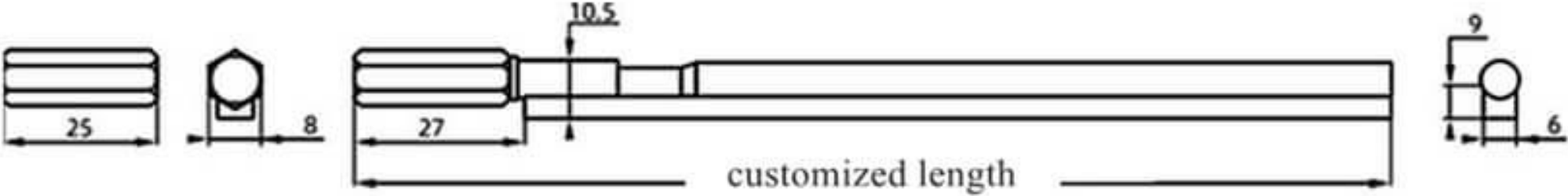
Single-action Truss Rod 014A

- Regular length: 420mm;
- Torque Bearing: 7~10N;
- OEM: length can be customized in term of the requirement;
- Core Material: steel;
- Nut: inner hexagon



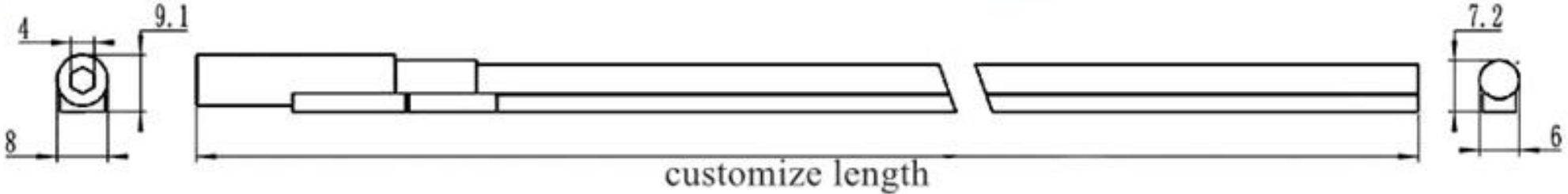
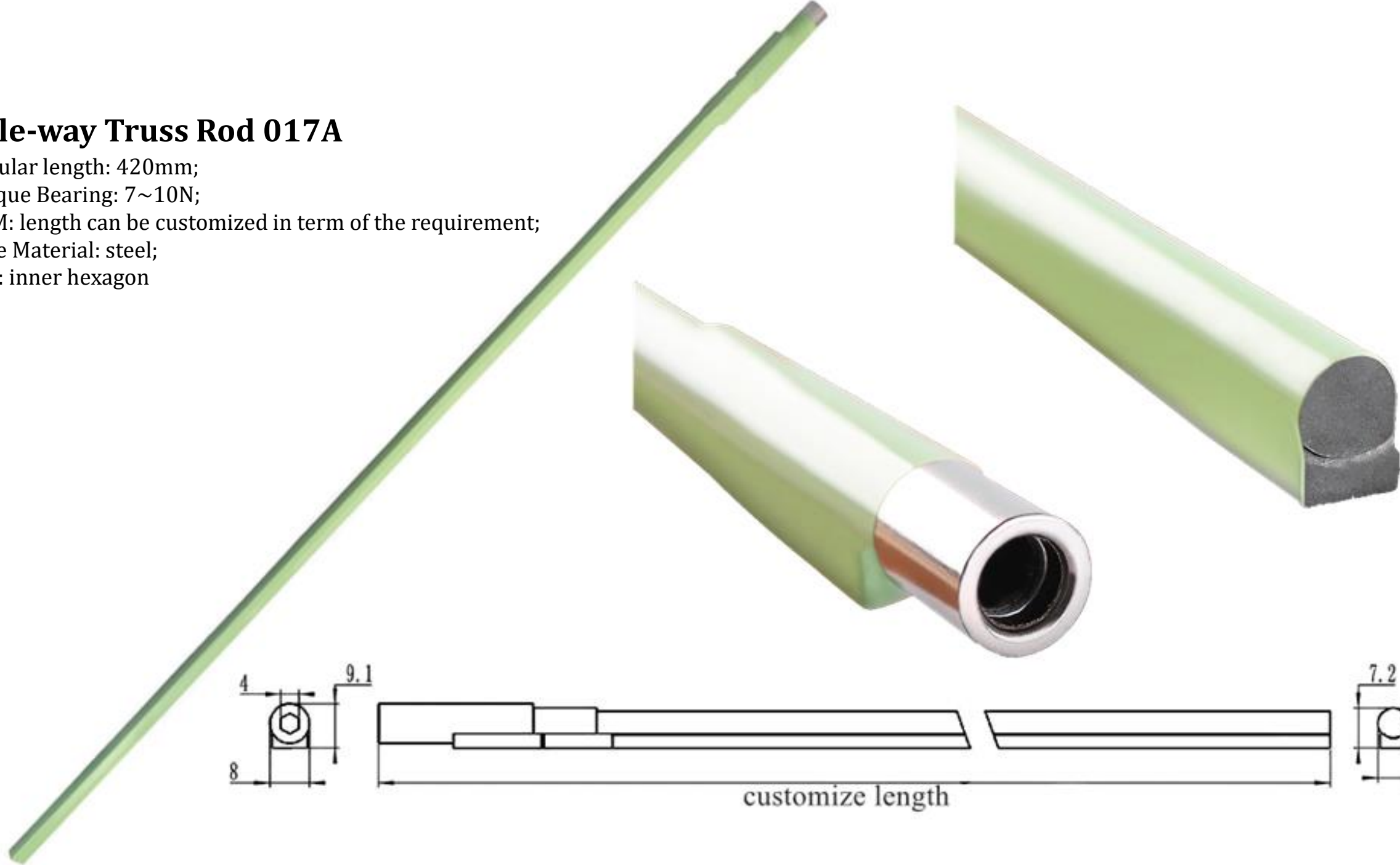
Single-action Truss Rod 015A

- Regular length: 420mm;
- Torque Bearing: 7~10N;
- OEM: length can be customized in term of the requirement;
- Core Material: steel;
- Nut: brass outer hexagon



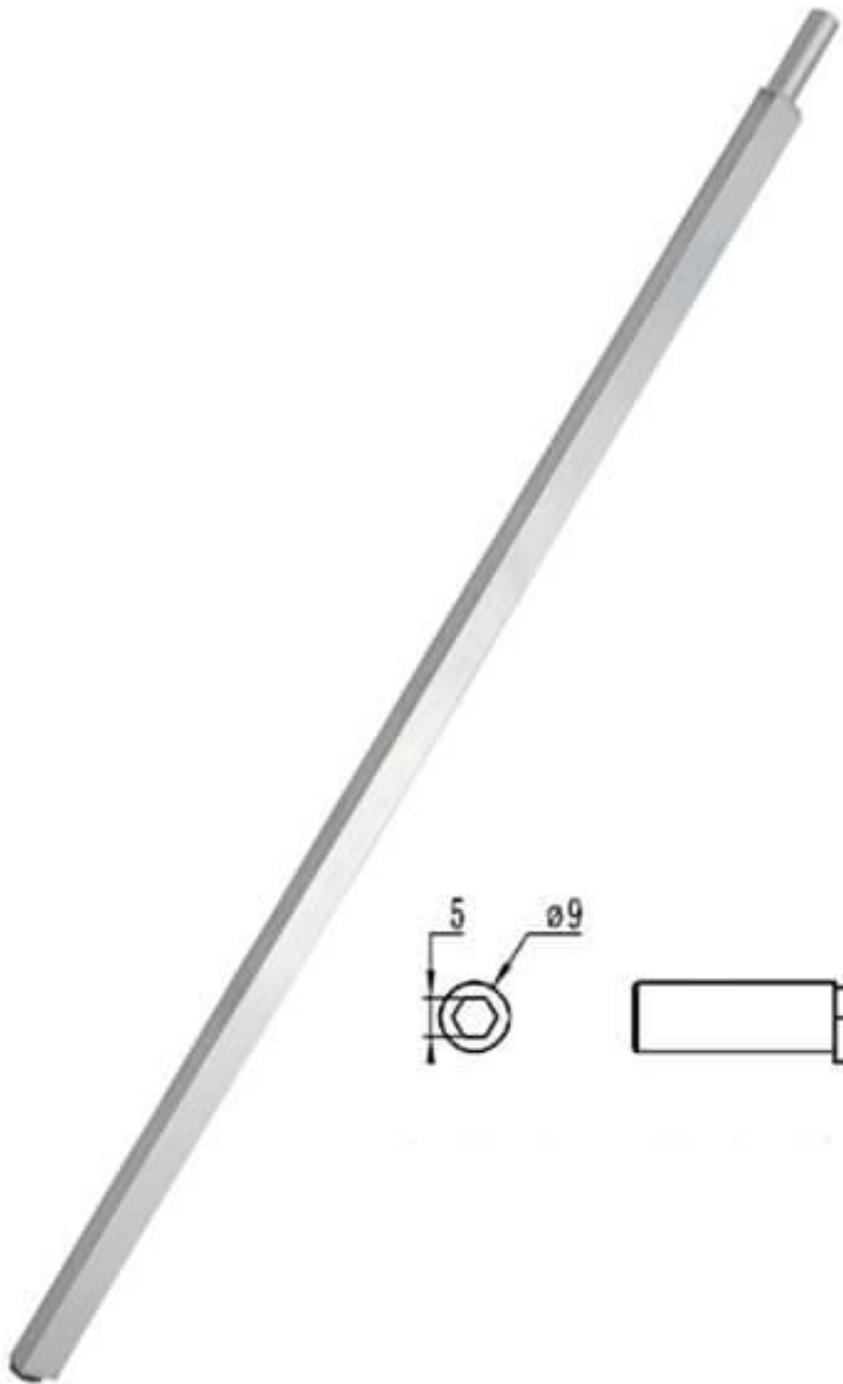
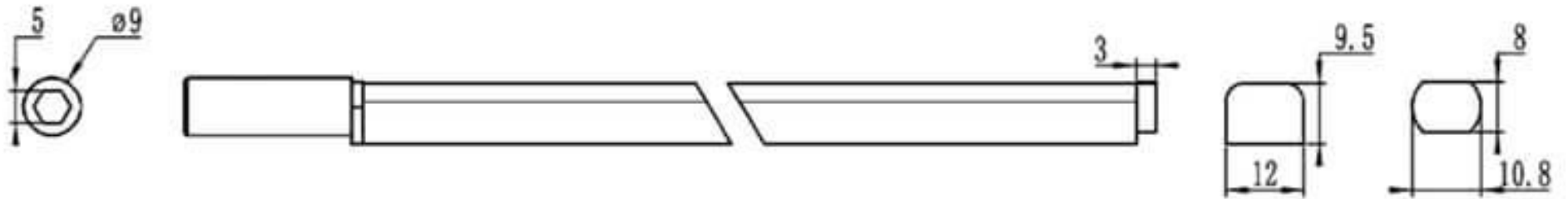
Double-way Truss Rod 017A

- Regular length: 420mm;
- Torque Bearing: 7~10N;
- OEM: length can be customized in term of the requirement;
- Core Material: steel;
- Nut: inner hexagon



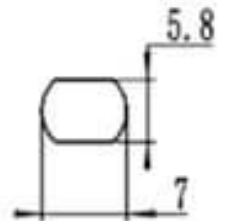
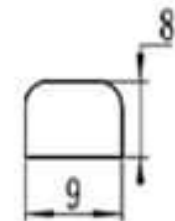
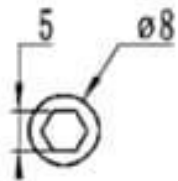
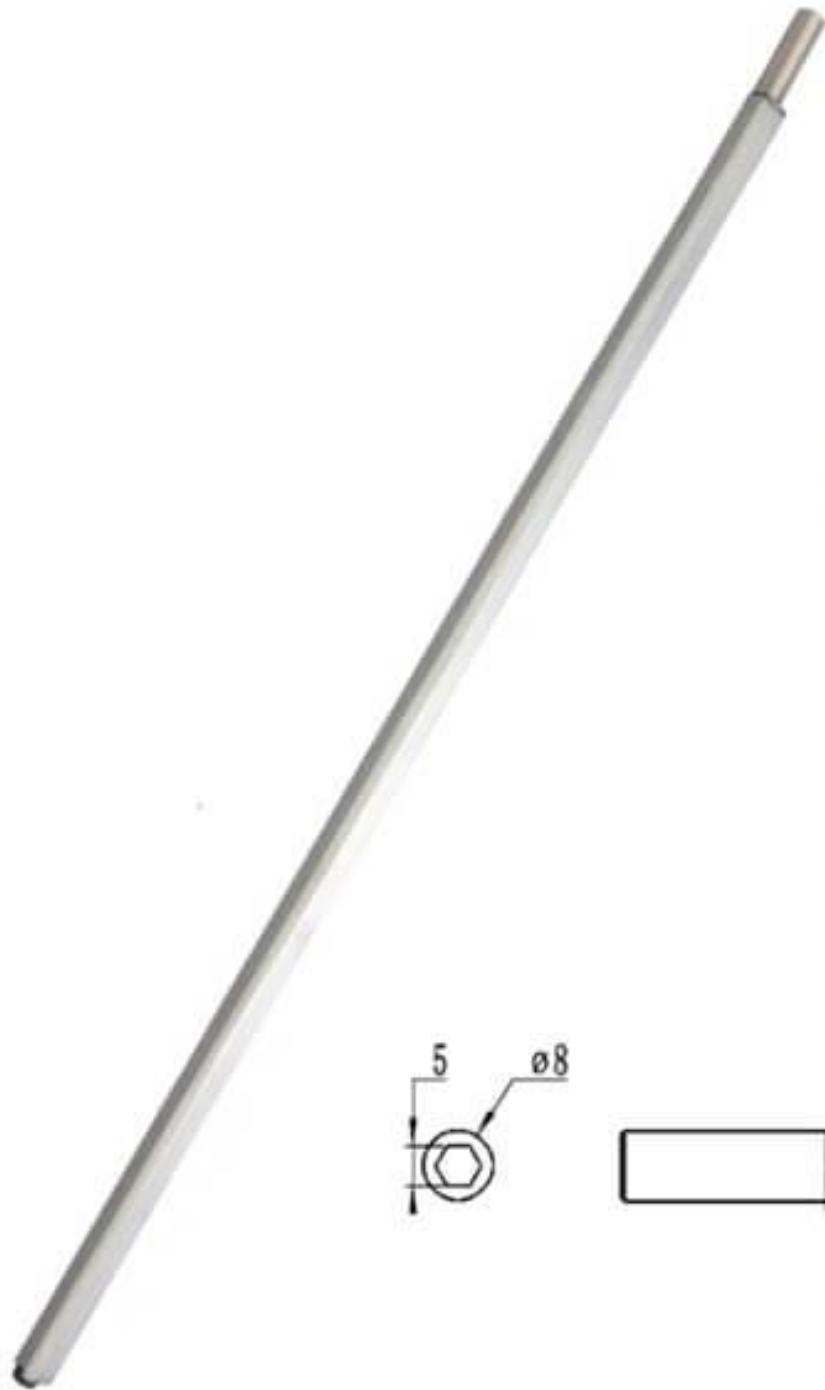
Single-action Aluminum Truss Rod 001L

- Regular length: 375mm;
- Torque Bearing: 7~10N;
- OEM: length can be customized in term of the requirement;
- Core Material: aluminum alloy, steel;
- Nut: inner hexagon



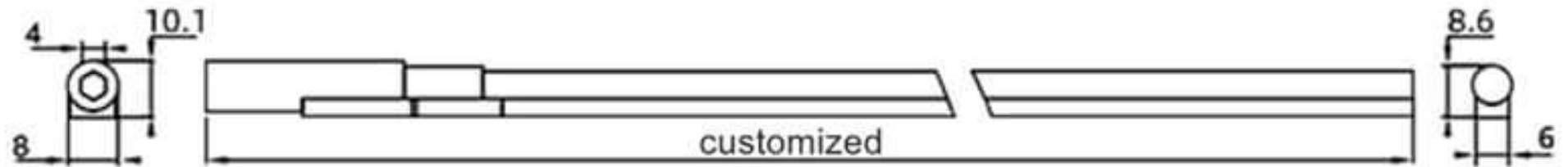
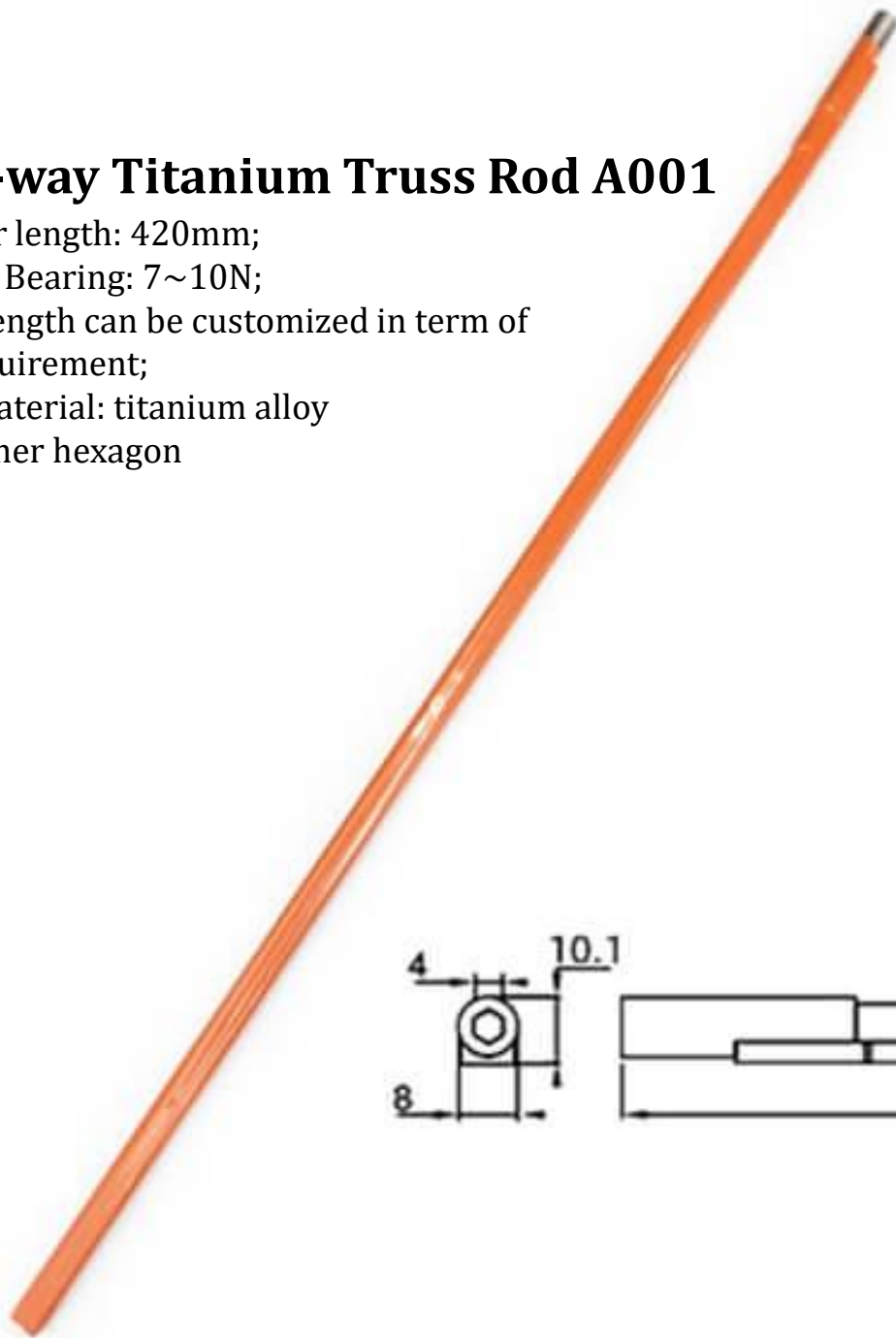
Single-action Aluminum Truss Rod 002L

- Regular length: 420mm;
- Torque Bearing: 7~10N;
- OEM: length can be customized in term of the requirement;
- Core Material: aluminum alloy, steel;
- Nut: inner hexagon



Double-way Titanium Truss Rod A001

- Regular length: 420mm;
- Torque Bearing: 7~10N;
- OEM: length can be customized in term of the requirement;
- Core Material: titanium alloy
- Nut: inner hexagon





WELDING

Automatic laser welding to ensure solid welding quality and smooth surface. With comprehensive inspection methods, avoiding invisible defects. That is why our truss rods bear higher torque.



FINISHING

One-time molding technology ensures the precision of processing. Besides, also secure high surface finishing. Not only makes the rod durable, but also remains fine appearance.



THREADING

Threading is a core factor to determine the applicability and durability of truss rods. Precise machining produces the thread with even distance between teeth to realize uniform force distribution. Therefore, the rods is easy to turn and remain firm fastening.

PARTS SERVICE

To support the clients to promote the efficiency of their productivity and to help them to control the cost for production, we are committed to try our best to provide parts service.

TRUSS RODS

Nowadays, although there is an argument about if the truss rod should be implemented in the guitar neck, it is already a key part to reinforce the neck. So, our parts service start at here.

HOW WE SUPPORT

- Support with quality, that is, we ensure applicability and durability;
- Freedom to customize to fit for specific requirement of guitar building;
- Shorten the lead-time to deliver as fast as possible to catch up the schedule of the clients;
- Batch production to remain competitive cost and regular stock;
- Multiple global logistic network for efficient and economic shipping;
- No MOQ limitation

WHAT IF DEMAND FOR OTHER PARTS

If you demand for other types of parts, too, please feel free to contact us.

CONTACT BOYA

<https://www.customguitarra.com>
sales@customguitarra.com

WHATSAPP

