



产品规格书

SPECIFICATION FOR APPROVAL

医疗适配器/Medical Adapter

客户:

CUSTOMER: _____

产品描述:

DESCRIPTION: Input:100-240VAC 50/60Hz Output:5.0~48.0VDC 65W

机种型号:

MODEL NO. : _____ LXCP65 系列规格书

文件编号:

日期:

DOCUMENT NO. : LXC/RD-Spec.-637

DATE: 2024-01-19

客户编号

版本:

CUSTOMER NO. : _____

Rev. : V00

产品颜色:

SAMPLE COLOR: Black White

深圳市龙星辰电源有限公司

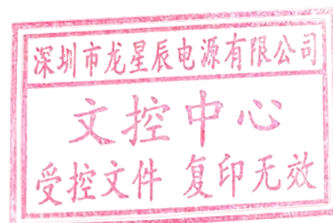
Shenzhen Longxc Power Supply Co., LTD.

地址: 深圳市宝安区石岩街道应人石文韬科技园 B 栋 4-5 层

Address: 4-5/F, B Building, Yingrenshi Community, Wentao Science

Park, Shiyan Town, Bao'an, Shenzhen, China

Tel: 0755-27784192 Fax: 0755-29991201



核准/APPROVED BY	审核/CHECKED BY	编制/PREPARED BY
张永满 2024.01.19	雷新华 2024.01.19	潘近平 2024.01.19



深圳市龙星辰电源有限公司
Shenzhen Longxc Power Supply Co.,LTD

型号/Model: LXCP65 系列

客户代码/Customer code:

日期/Date: 2024.01.19

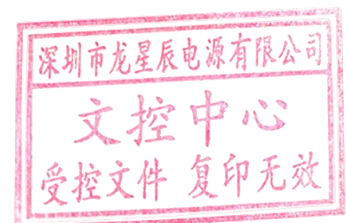
文件编号/ Document No.: LXC/RD-Spec. -637

版本目录/Rev. List

版本/Rev.	日期/Date	描述/Description	制订/Design
V00	2024-01-19	新版本/New Rev.	潘近平

目录/TABLE OF CONTENT

1. 描述/DESCRIPTION	3
2. 型号命名规则/MODEL NAME RULE	3
3. 输入特性/INPUT CHARACTERISTICS	4
4. 输出特性/OUTPUT CHARACTERISTICS	4
5. 保护功能/PROTECTION FUNCTION	6
6. 环境要求/ENVIRONMENTAL DEMAND	6
7. MTBF	7
8. EMC 特性/ELECTROMAGNETIC COMPATIBILITY	8
9. 安全要求/SAFETY REQUIREMENT	9
10. 结构参数/MECHANICAL REQUIREMENT	10
11. 线材/DC CABLE	12
12. 铭牌/LABEL	13
13. 包装说明/PACKING	14





1. 描述/DESCRIPTION

本规格书适用于 LXCP65 系列型号的医疗适配器。

The purpose of the document is to specify the functional requirements of a LXCP65 series medical adapter.

2. 型号命名规则/MODEL NAME RULE

LXCP65-aaab

-LXCP=龙星辰医疗适配器/-LXCP= Longxc medical adapter

-65=系列名称/-65=Name of the series

-aaa="050"~"480" 为输出电压。"050" 是 5.0V, "090" 是 9.0V, "120" 是 12.0V, "135" 是 13.5V, "142" 是 14.2V, "150" 是 15.0V, "168" 是 16.8V, "180" 是 18.0V, "190" 是 19.0V, "200" 是 20.0V, "220" 是 22.0V, "240" 是 24.0V, "260" 是 26.0V, "280" 是 28.0V, "300" 是 30.0V, "320" 是 32.0V, "340" 是 34.0V, "360" 是 36.0V, "380" 是 38.0V, "400" 是 40.0V, "420" 是 42.0V, "440" 是 44.0V, "460" 是 46.0V, "480" 是 48.0V。

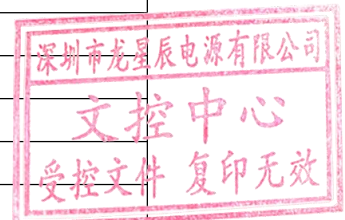
-aaa= "050"~"480" stands for the output voltage. "050" means 5.0V, "090" means 9.0V, "120" means 12.0V, "135" means 13.5V, "142" means 14.2V, "150" means 15.0V, "168" means 16.8V, "180" means 18.0V, "190" means 19.0V, "200" means 20.0V, "220" means 22.0V, "240" means 24.0V, "260" means 26.0V, "280" means 28.0V, "300" means 30.0V, "320" means 32.0V, "340" means 34.0V, "360" means 36.0V, "380" means 38.0V, "400" means 40.0V, "420" means 42.0V, "440" means 44.0V, "460" means 46.0V, "480" means 48.0V.

-b="A", "B", "C", "D", "I", "K", "L", "O", "M", "N", "P", "Q", "R", "S", "T" 或空着。"A" 表示国标插头, "B" 表示欧规插头, "C" 表示英规插头, "D" 表示美规插头, "I" 表示日规插头, "K" 表示巴西规插头, "L" 表示韩规插头, "O" 表示澳规插头, "M" 表示南非插头, "N" 表示意大利插头, "P" 表示瑞士插头, "Q" 表示以色列插头, "R" 表示丹麦插头, "S" 表示墨西哥插头, "T" 表示印度规插头, 当 "b" 空着时则表示产品同时配有多个不同国家的可拆卸插头。

-b= is optional, it could be "A", "B", "C", "D", "I", "K", "L", "O", "M", "N", "P", "Q", "R", "S", "T" or blank. "A" means CN plug, "B" means EU plug, "C" means UK plug and "D" means US plug, "I" means JS plug, "K" means Brazil plug, "L" means Korea plug, "O" means AUS plug, "M" means ZA plug. "N" means IT plug, "P" means CH plug, "Q" means IL plug, "R" means DK plug, "S" means Mexico plug, "T" means Indian plug, when "b" blank indicates that the product is equipped with removable plugs from several different countries at the same time.

详情见下表:/Details refer to the below table:

型号/Model number		输出电流范围/ Output current range (A)
LXCP65-050b	LXCP65-050	0~7.00
LXCP65-090b	LXCP65-090	0~7.00
LXCP65-120b	LXCP65-120	0~5.00
LXCP65-135b	LXCP65-135	0~4.81
LXCP65-142b	LXCP65-142	0~4.58
LXCP65-150b	LXCP65-150	0~4.33
LXCP65-168b	LXCP65-168	0~3.87
LXCP65-180b	LXCP65-180	0~3.61
LXCP65-190b	LXCP65-190	0~3.42
LXCP65-200b	LXCP65-200	0~3.25
LXCP65-220b	LXCP65-220	0~2.95
LXCP65-240b	LXCP65-240	0~2.71
LXCP65-260b	LXCP65-260	0~2.50
LXCP65-280b	LXCP65-280	0~2.32





深圳市龙星辰电源有限公司
Shenzhen Longxc Power Supply Co.,LTD

型号/Model: LXCP65 系列

客户代码/Customer code:

日期/Date: 2024.01.19

文件编号/ Document No.: LXCP65-Spec. -637

LXCP65-300b	LXCP65-300	0~2.17
LXCP65-320b	LXCP65-320	0~2.03
LXCP65-340b	LXCP65-340	0~1.91
LXCP65-360b	LXCP65-360	0~1.81
LXCP65-380b	LXCP65-380	0~1.71
LXCP65-400b	LXCP65-400	0~1.63
LXCP65-420b	LXCP65-420	0~1.55
LXCP65-440b	LXCP65-440	0~1.48
LXCP65-460b	LXCP65-460	0~1.41
LXCP65-480b	LXCP65-480	0~1.35

3. 输入特性/INPUT CHARACTERISTICS

3.1 输入电压/Input Voltage:

额定电压/Nominal voltage:100-240Vac

电压范围/Voltage range:90-264Vac

3.2 输入频率/Input Frequency:

额定频率/Nominal frequency:50/60Hz

频率范围/Frequency range:47-63Hz

3.3 输入电流/Input Current:

90Vac 输入，满载时，最大输入交流电流 1.5A。

1.5A Max. at 90Vac input and rated load.

3.4 浪涌电流/Inrush Current:

当输出为额定负载，环境温度为 25℃，输入 264Vac 冷态起机 5μs 后的最大浪涌电流小于 120A。

Output rated load and ambient temperature 25℃, maximum inrush current less than 120A after 5μs at 264Vac input cold start.

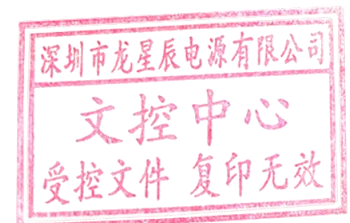
3.5 AC 漏电流/AC Leakage Current:

当输入电压 264Vac 时，正常状态最大接触电流 ≤ 0.1mA。

Normal touch current less than 0.1mA at 264Vac input.

当输入电压 264Vac 时，单一故障状态最大接触电流 ≤ 0.5mA。

Single fault touch current less than 0.5mA at 264Vac input.



4. 输出特性/OUTPUT CHARACTERISTICS

4.1 输出功率/Power Output:

型号/ Model name		输出电压 /Output voltage (V)	输出范围 /Output range (V)	输出电流 /Output current (A)	输出功率 /Output power (W)	纹波噪声/Ripple and noise (mVp-p) 注 1/Note 1
LXCP65-050b	LXCP65-050	5.0	4.70~5.50	0~7.00	0~35.0	150
LXCP65-090b	LXCP65-090	9.0	8.55~9.45	0~7.00	0~63.0	180
LXCP65-120b	LXCP65-120	12.0	11.40~12.60	0~5.00	0~60.0	240
LXCP65-135b	LXCP65-135	13.5	12.83~14.18	0~4.81	0~65.0	



深圳市龙星辰电源有限公司
Shenzhen Longxc Power Supply Co.,LTD

型号/Model: LXCP65 系列

客户代码/Customer code:

日期/Date: 2024.01.19

文件编号/ Document No.: LXC/RD-Spec. -637

LXCP65-142b	LXCP65-142	14.2	13.49~14.91	0~4.58	0~65.0	
LXCP65-150b	LXCP65-150	15.0	14.25~15.75	0~4.33	0~65.0	
LXCP65-168b	LXCP65-168	16.8	15.96~17.64	0~3.87	0~65.0	
LXCP65-180b	LXCP65-180	18.0	17.10~18.90	0~3.61	0~65.0	
LXCP65-190b	LXCP65-190	19.0	18.05~19.95	0~3.42	0~65.0	
LXCP65-200b	LXCP65-200	20.0	19.00~21.00	0~3.25	0~65.0	
LXCP65-220b	LXCP65-220	22.0	21.12~22.88	0~2.95	0~65.0	
LXCP65-240b	LXCP65-240	24.0	23.04~24.96	0~2.71	0~65.0	
LXCP65-260b	LXCP65-260	26.0	24.96~27.04	0~2.50	0~65.0	260
LXCP65-280b	LXCP65-280	28.0	26.88~29.12	0~2.32	0~65.0	280
LXCP65-300b	LXCP65-300	30.0	28.80~31.20	0~2.17	0~65.0	300
LXCP65-320b	LXCP65-320	32.0	30.72~33.28	0~2.03	0~65.0	320
LXCP65-340b	LXCP65-340	34.0	32.64~35.36	0~1.91	0~65.0	340
LXCP65-360b	LXCP65-360	36.0	34.56~37.44	0~1.81	0~65.0	360
LXCP65-380b	LXCP65-380	38.0	36.86~39.14	0~1.71	0~65.0	380
LXCP65-400b	LXCP65-400	40.0	38.80~41.20	0~1.63	0~65.0	400
LXCP65-420b	LXCP65-420	42.0	40.74~43.26	0~1.55	0~65.0	420
LXCP65-440b	LXCP65-440	44.0	42.68~45.32	0~1.48	0~65.0	440
LXCP65-460b	LXCP65-460	46.0	44.62~47.38	0~1.41	0~65.0	460
LXCP65-480b	LXCP65-480	48.0	46.56~49.44	0~1.35	0~65.0	480

线性调整率/Line regulation

±1%

负载调整/Load regulation

±5%

注 1/Note 1

测试条件:在额定电压及额定负载条件下,使用示波器带宽为 20MHz 连接到充电器的输出端,同时输出端并联一个 10uF 的电解电容和一个 0.1uF 的瓷片电容/Test conditions: under nominal voltage and rated load, bandwidth of 20MHz and parallel 10uF+0.1uF, connected at testing point.

4.2 启动延迟时间/Turn On Delay Time:

最大启动时间为 4s, 测试条件输入 90Vac 和输出额定负载时。

4 second Max. at 90Vac input and output rated load.

4.3 上升时间/Rise Time:

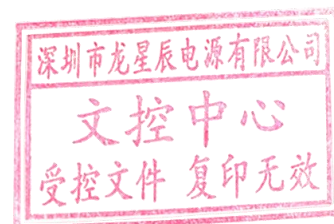
最大时间为 40ms, 测试条件输出额定负载时。

40ms Max.test condition when output rated load.

4.4 保持时间/Hold Up Time:

最小保持时间为 10ms, 测试条件输入 90Vac 和输出额定负载。

10ms Min.at 90Vac input and output rated load.





深圳市龙星辰电源有限公司
Shenzhen Longxc Power Supply Co.,LTD

型号/Model: LXCP65 系列

客户代码/Customer code:

日期/Date: 2024.01.19

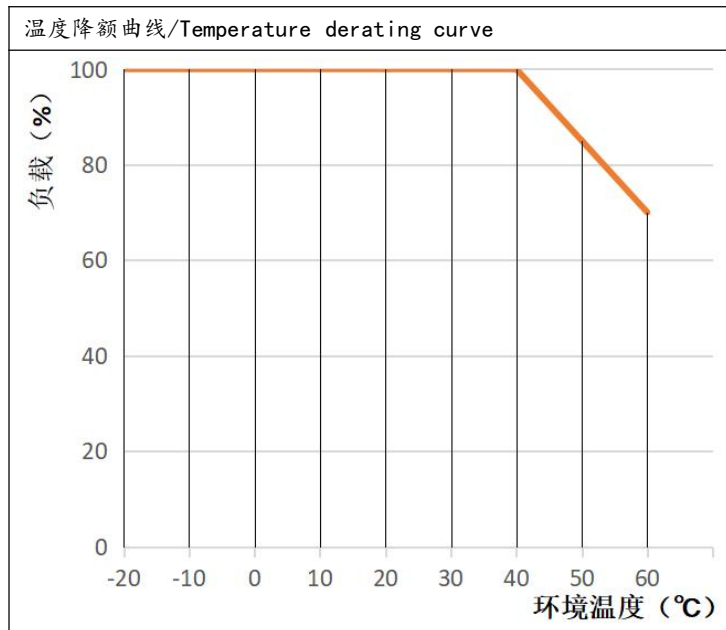
文件编号/ Document No.: LXC/RD-Spec. -637

4.5 效率/Efficiency:

当 220Vac 输入电压时, 额定输出负载, 板端最小 87%, 线端最小 83% (5V 线端最小 78%)。

When 220V AC input voltage, the rated output loading, PCBA 87% Min. DC cable 83% Min. (5V DC cable 78% Min.).

4.6 降额曲线图/Derating curve:



5. 保护功能/PROTECTION FUNCTION

5.1 短路测试/Short Circuit Test:

该电源在短路解除时能恢复正常工作。

The power supply will be auto recovering when the short circuit faults removed.

5.2 过流保护/Over Current Protection:

当输出电流达到额定电流的 110%~200%时, 电源将保护, 过流故障排除后, 电源将自动恢复正常工作。

When the output current reaches 110%~200% of the rated current, the power supply will be protected. After the over current fault is removed, the power supply will be automatically recovery.

5.3 过压保护/Over Voltage Protection:

当输出电压触发到过压保护点时电源将被保护, 故障排除后能恢复正常工作. 电源过压保护功能在 PWM 芯片内部建立。

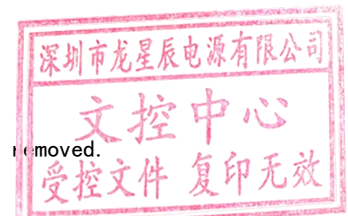
The power supply shall be stop when the output voltage reaches its over-voltage condition trigger point.

When the fault condition is removed the power supply shall be self-recovering. The over voltage protection function is built-in the PWM IC of the power supply.

5.4 过温保护/Over Temperature Protection:

当集成电路温度超过其触发点时, 电源进入停止模式, 当集成电路温度低于规定值时, 电源自动恢复。

The power supply shall go into stop mode when the IC's temperature is over its trigger point and when IC temperature is lower than regulation value, the power supply shall be self-recovering.



6. 环境要求/ENVIRONMENTAL DEMAND

6.1 工作温度/Operating Temperature:

-20°C~+60°C, 输入 90~264Vac, 环境温度超过 40°C 输出功率下降额定负载的 1.5%/°C (参考 4.6 降额曲线图)。

-20°C~+60°C, When the TEMP. is over 40°C, the output power is decline 1.5%/°C of the rated load under the input voltage is 90~264Vac. (reference 4.6 derating curves).

型号/Model: LXCP65 系列



深圳市龙星辰电源有限公司
Shenzhen Longxc Power Supply Co.,LTD

客户代码/Customer code:

日期/Date: 2024.01.19

文件编号/ Document No.: LXC/RD-Spec. -637

6.2 认证温度/The Power Certification Temperature:

0°C~+40°C, 额定负载, 正常工作。

0°C~+40°C, Rated load, normal operation.

6.3 储藏温度/Storage Temperature:

-20°C~+80°C, 电源不工作。

-20°C~+80°C, No work.

6.4 储藏湿度/Storage Humidity:

5%~95%RH, 无凝结。

5%~95%RH, No condensation.

6.5 工作湿度/Relative Humidity:

10%~90%RH, 无凝结。

10%~90%RH, No condensation.

6.6 大气压力/Atmospheric Pressure:

54~106kPa, 正常工作。

54~106kPa, Normal.

6.7 海拔高度/Altitude:

5000 米, 超过 5000 米以上, 海拔高度每升高 300 米工作温度降低 1°C。

5000m, work temperature descend 1°C every 300m over 5000m.

6.8 振动/Vibration:

测试标准: IEC60068-2-6 GB/T 2423.10

Test standards: IEC60068-2-6 GB/T 2423.10

5~9Hz, 振幅=1.5mm/5~9Hz, Amplitude of vibration=1.5mm

9~200Hz, 加速度=5m/s²/9~200Hz, Acceleration=5m/s²

6.9 运输/Transportation

5~9Hz, 振幅=3.5mm/5~9Hz, Amplitude of vibration=3.5mm

9~200Hz, 加速度=5m/s²/9~200Hz, Acceleration=5m/s²

200~500Hz, 加速度=15m/s²/200~500Hz, Acceleration=15m/s²

6.10 轴向振动/Axial Vibration:

每轴 10 个周期。

Axes, 10 cycles per axis.

在测试过程中不能出现永久性的损坏。

No permanent damage may occur during testing.

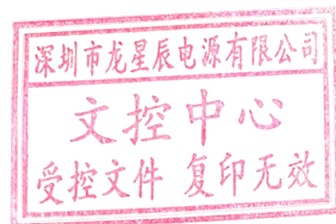
在电源开启和关闭后, 电源能够恢复到最初条件。

The power supply can be recovery to normal after power off/on.

6.11 跌落试验/Drop Test:

跌落高度为 750±10mm (测试跌落台面为混凝土或者 50mm±5mm 厚、大于 600kg/m³ 的硬质木板)。

Drop height is 750±10mm (The table of testing is concrete or the hard wood of 50mm±5mm thick, more than 600kg/m³).



7. MTBF

≥100,000 hours 25°C, 额定负载, 220Vac。



深圳市龙星辰电源有限公司
Shenzhen Longxc Power Supply Co.,LTD

型号/Model: LXCP65 系列

客户代码/Customer code:

日期/Date: 2024.01.19

文件编号/ Document No.: LXC/RD-Spec.-637

The power supply shall have a minimum predicted MTBF(MIL-STD-217F) of 100000 hours at normal operation condition and normal use.

8. EMC 特性/ELECTROMAGNETIC COMPATIBILITY

序号/Number	项目/Item	标准(或测试条件)/Specifications	判定标准/Class	备注/Standards
1	传导干扰(CE)	Class B	/	IEC/EN60601-1-2; YY9706.102; GB4824; CISPR 11; EN55011; FCC Part 18.
2	辐射干扰(RE)	Class B	/	IEC/EN60601-1-2; YY9706.102; GB4824; CISPR 11; EN55011; FCC Part 18.
3	浪涌(SURGE)	线线 ± 1KV /Line to line ± 1kV	A	IEC/EN60601-1-2; YY9706.102; IEC/EN61000-4-5; GB/T 17626.5.
		线地 ± 2KV /Line to earth ± 2kV	/	
4	静电抗扰(ESD)	空气放电 ± 15KV Air discharge ± 15kV	A	IEC/EN60601-1-2; YY9706.102; IEC/EN61000-4-2; GB/T 17626.2.
		接触放电 ± 8KV /Contact discharge ± 8kV	A	
5	快速瞬变脉冲群(EFT/B)	± 2KV (Burst frequency = 100KHz)	A	IEC/EN60601-1-2; YY9706.102; IEC/EN61000-4-4; GB/T 17626.4.
6	电压跌落和短时间中断(DIP)	跌落到 0%Ut, 持续时间 5000ms(250 个周期)/ Dropped to 0%Ut, last 5000ms(250cycle)	B	IEC/EN60601-1-2; YY9706.102; IEC/EN61000-4-11; GB/T 17626.11.
		跌落到 70%Ut, 持续时间 500ms(25 个周期)/ Dropped to 70%Ut, last 500ms(25 cycle)	A	
		跌落到 0%Ut, 持续时间 20ms(1 个周期)/ Dropped to 0%Ut, last 20ms(1 cycle)	A	
		跌落到 0%Ut, 持续时间 10ms(0.5 个周期)/ Dropped to 0%Ut, last 10ms(0.5 cycle)	A	
7	辐射抗扰(RS)	试验频率: 80MHz~2700MHz; / Test frequency: 80MHz~2700MHz; 场强: 10V/m; /Field intensity: 10V/m; 幅度调制: 80%AM(1KHz) Amplitude modulation: 80%AM(1KHz)	A	IEC/EN60601-1-2; YY9706.102; IEC/EN61000-4-3; GB/T 17626.3.

型号/Model: LXCP65 系列
客户代码/Customer code:
日期/Date: 2024.01.19
文件编号/ Document No.: LXC/RD-Spec. -637



深圳市龙星辰电源有限公司
Shenzhen Longxc Power Supply Co.,LTD

8	传导抗扰 (CS)	试验频率: 0.15MHz~80MHz; / Test frequency: 0.15MHz~80MHz; 场强: 6Vrms; /Field intensity: 6Vrms; 幅度调制: 80%AM(1KHz)/ Amplitude modulation: 80%AM(1KHz)	A	IEC/EN60601-1-2; YY9706.102; IEC/EN61000-4-6; GB/T 17626.6.
9	电流谐波 (THD)	满足 Class A(配合系统测试)/Class A(in system)	/	IEC/EN60601-1-2; YY9706.102; IEC/EN61000-3-2; GB 17625.1.
10	电压波动和闪烁 /Voltage Fluctuation And Flicker	Pst 值不大于 1.0; PIt 值不大于 0.65; 相对稳态 电压变化 dc 不超过 3.3%; 最大相对电压变化 Dmax 不超过 4%相对电压变化持续时间 >500mS 时 ≤ 4%/Pst ≤ 1.0; PIt ≤ 0.65; Relative steady-state voltage variation dc under 3.3%; Maximum relative voltage variation (Dmax) under 4%	/	IEC/EN60601-1-2; YY9706.102; IEC/EN61000-3-3; GB/T 17625.2.
11	工频磁场/Power Frequency Magnetic Field	30A/m	A	IEC/EN60601-1-2; YY9706.102; IEC/EN61000-4-8; GB/T 17626.8.

注: / Note:

性能判据 A: 试验中 EUT 在规范极限值内性能正常;

性能判据 B: 试验中 EUT 功能或性能暂时降低或丧失, 但能自行恢复;

性能判据 C: 试验中 EUT 功能或性能暂时降低或丧失, 但需操作者干预或系统重调(或复位);

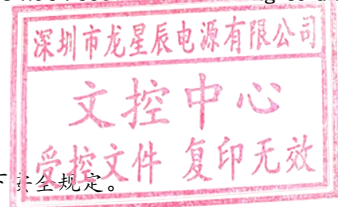
性能判据 D: 试验中 EUT 因装置(或元件)损坏而不可恢复的功能降低或丧失。

Performance criterion A: Normal performance within limits in this specification.

Performance criterion B: Temporary loss of some functions or degradation of performance. The recovering performance of which without operator intervention.

Performance criterion C: Temporary loss of function or degradation of performance. The recovering performance of which requires operator intervention.

Performance criterion D: Loss of function or degradation of performance which is not recoverable. Owing to damage of hardware software or loss of data.



9. 安全要求/SAFETY REQUIREMENT

9.1 安全:符合标准。/Safety: Accord With.

电源设计用于室内使用, 满足 IEC 60601-1/UL60601-1 和 EN 60601-1 标准和以下安全规定。

The power supply is designed for indoor use to meet IEC 60601-1/UL60601-1 and EN 60601-1 standards and for the following safety regulations.

	Item	Country	Standard
<input type="checkbox"/>	UL	USA	UL60601-1
<input type="checkbox"/>	CE	Europe	EN60601-1
<input type="checkbox"/>	CB	Worldwide	IEC60601-1
<input type="checkbox"/>	TUV	Germany	IEC60601-1



深圳市龙星辰电源有限公司
Shenzhen Longxc Power Supply Co.,LTD

型号/Model: LXCP65 系列

客户代码/Customer code:

日期/Date: 2024.01.19

文件编号/ Document No.: LXC/RD-Spec. -637

<input type="checkbox"/>	NRTL	CUSA	IEC60601-1/UL60601-1
<input type="checkbox"/>	GS	Germany	EN60601-1
<input type="checkbox"/>	BS	England	EN60601-1
<input type="checkbox"/>	SAA	Australia	AS/NZS6-1

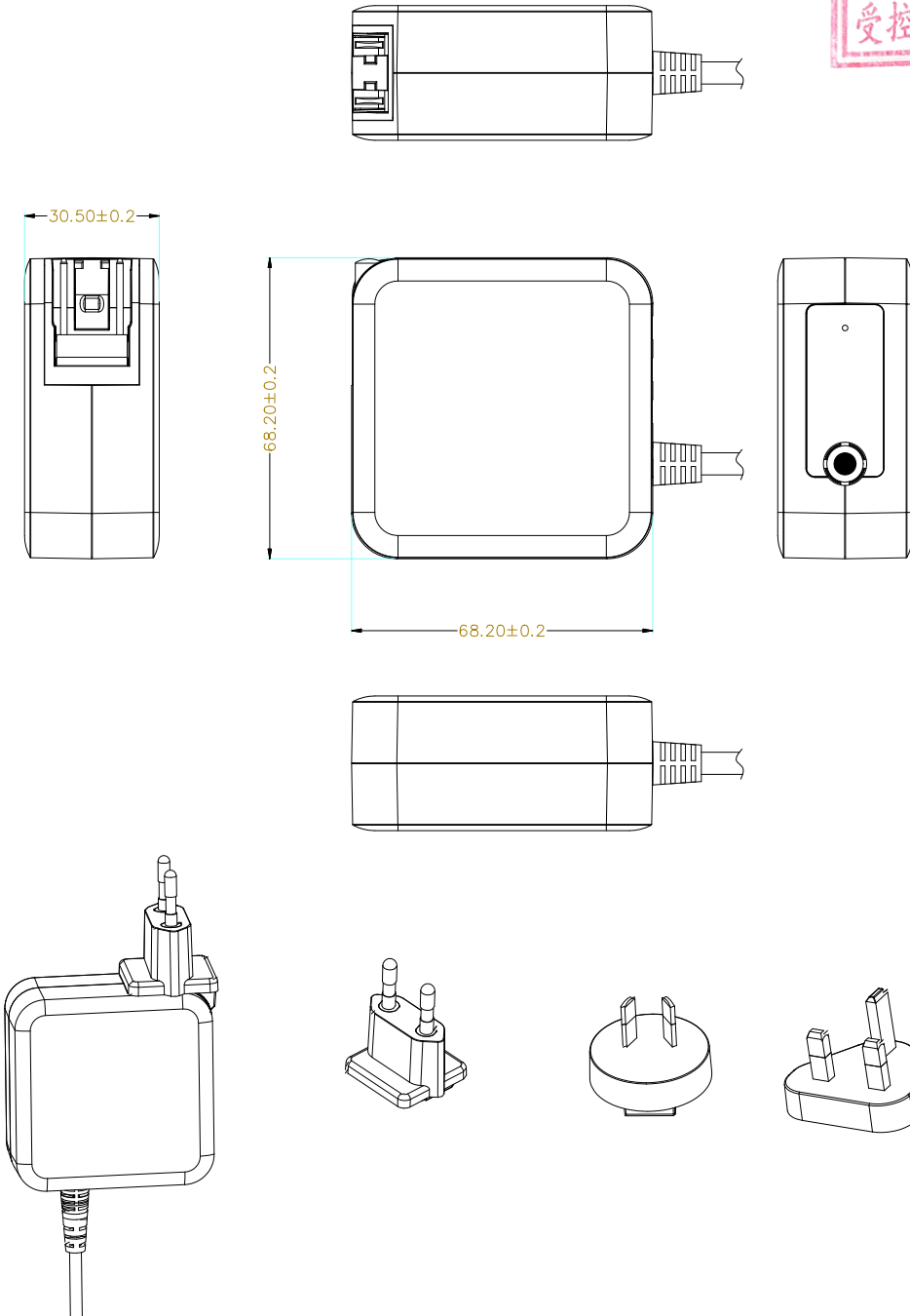
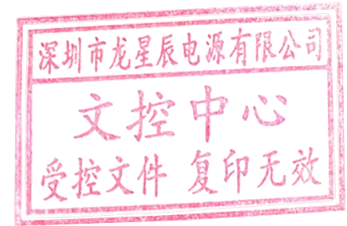
9.2 高压/Dielectric Strength Hi-Pot:

初级对次级/The primary to secondary: 4000Vac 5mA for 60 seconds.

10. 结构参数/MECHANICAL REQUIREMENT

中规外壳尺寸: L 68.2 x W 68.2 x H 30.5mm;

CN the power supply size: L 68.8 x W68.2 x H 30.5mm;





深圳市龙星辰电源有限公司
Shenzhen Longxc Power Supply Co.,LTD

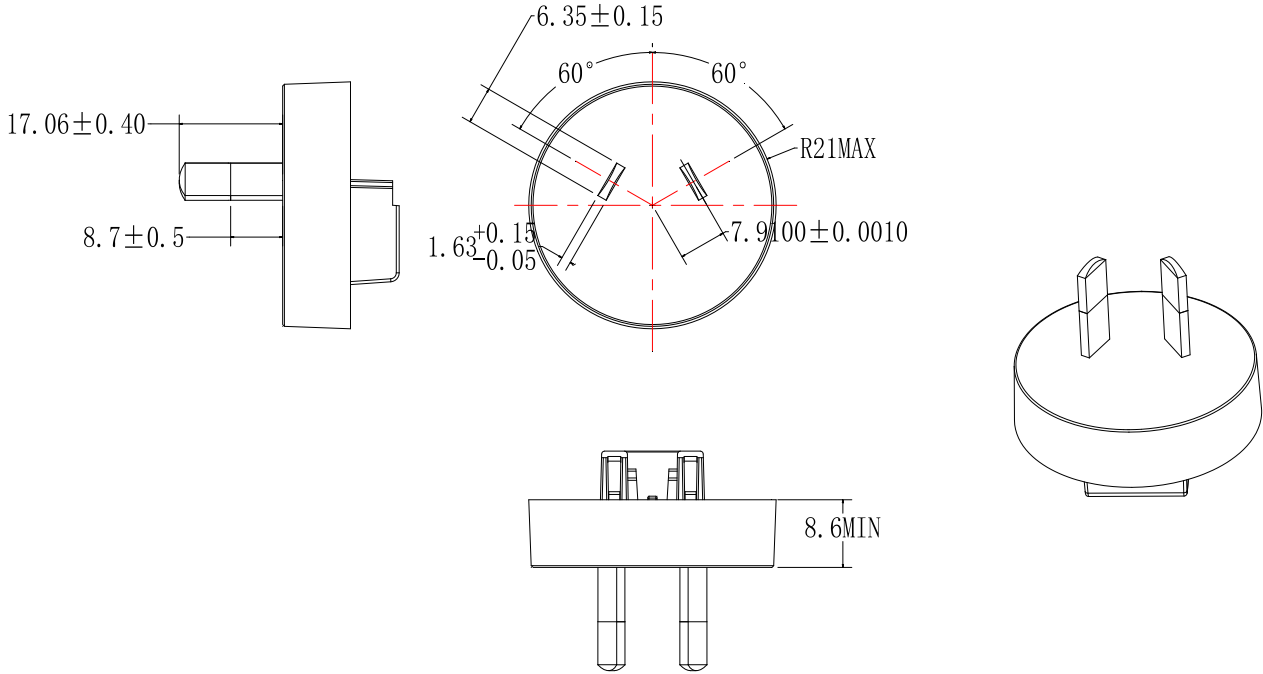
型号/Model: LXCP65 系列

客户代码/Customer code:

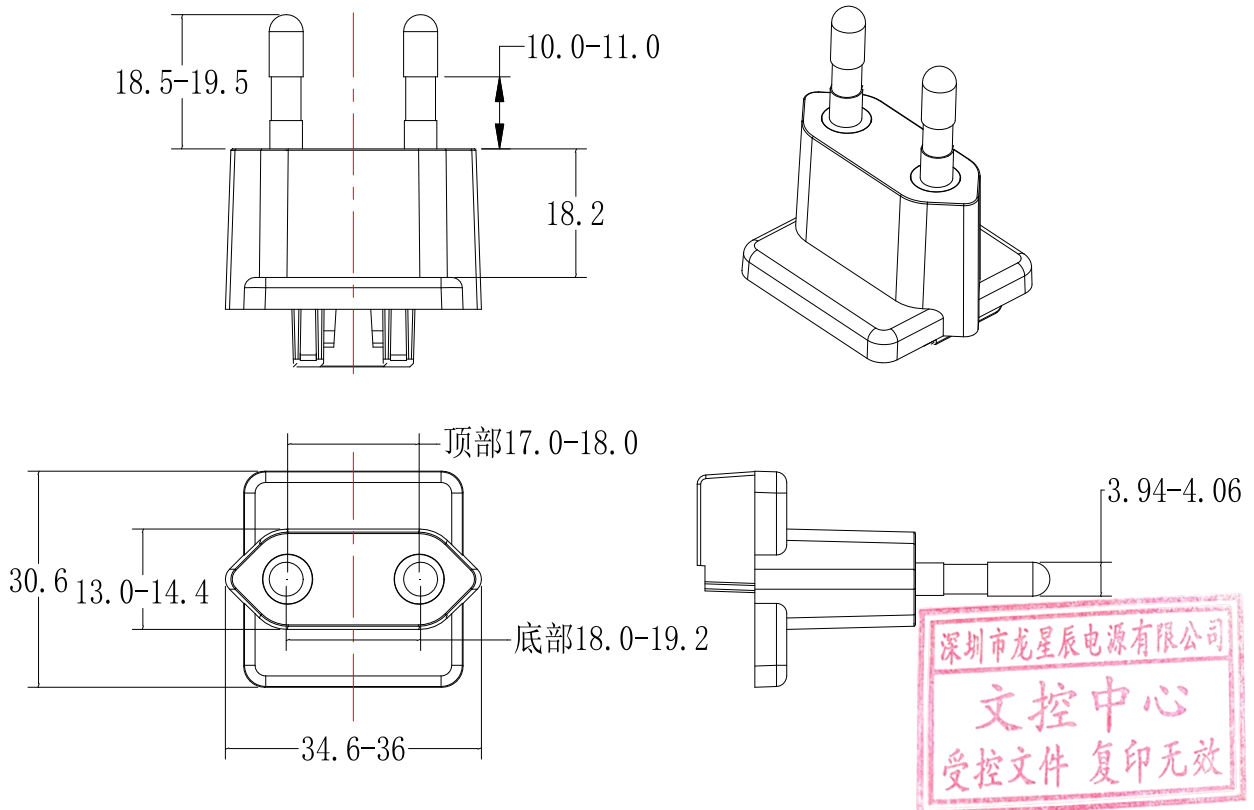
日期/Date: 2024.01.19

文件编号/ Document No.: LXC/RD-Spec. -637

澳规转换头/Australian standard adapter plug



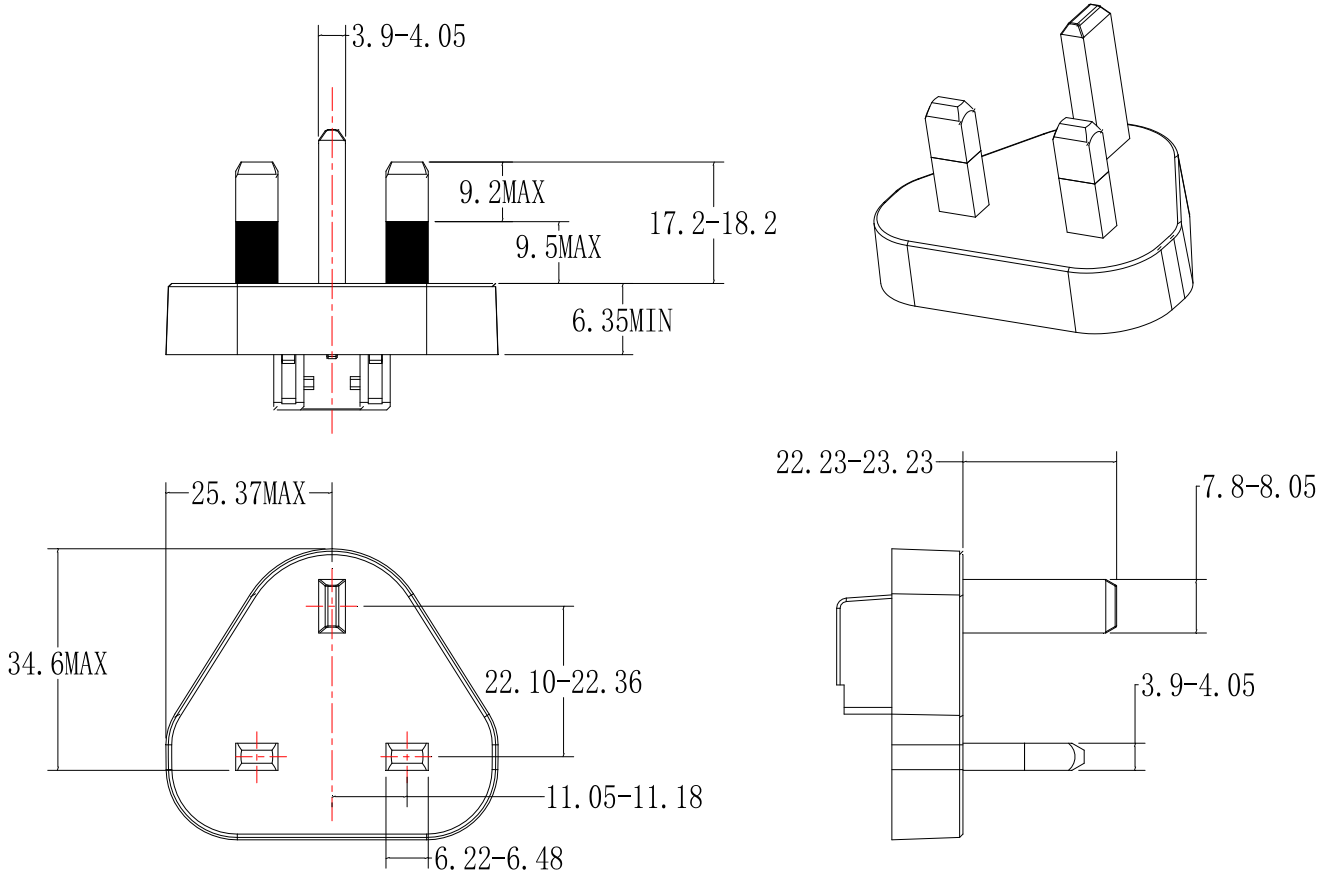
欧规转换头/European standard adapter plug



深圳市龙星辰电源有限公司
文控中心
受控文件 复印无效

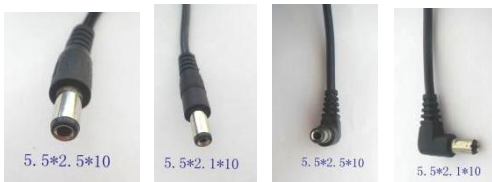
型号/Model: LXCP65 系列
客户代码/Customer code:
日期/Date: 2024.01.19
文件编号/ Document No.: LXC/RD-Spec. -637

英规转换头/UK standard adapter plug



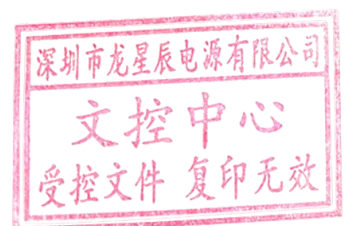
11. 线材/DC CABLE

11.1 可选直流插头图/ Optional DC Plug :



注意:图中只是列举了部分插头图, 详细信息从 LXC_线材统计表工作簿 .xls 文件中选择。

Note: The figure only lists part of the optional DC plug diagram, the details are selected from the LXC_cable statistics workbook .xls file.



型号/Model: LXCP65 系列
 客户代码/Customer code:
 日期/Date: 2024.01.19
 文件编号/ Document No.: LXC/RD-Spec. -637



12. 铭牌/LABEL

标签尺寸/Label size: 40*25 (mm)

电源适配器
 型号: LXCP65-240A RoHS
 输入: 100-240V~ 50/60Hz 1.5A Max
 输出: 24.0V \equiv 2.0A

制造商: 深圳市龙星辰电源有限公司
 [SN]XXXXXXXXXXXXXXXXXX

Power Adapter
 Model: LXCP65-240A RoHS
 Input: 100-240V~ 50/60Hz 1.5A Max
 Output: 24.0V \equiv 2.0A

Manufacturer: Shenzhen Longxc Power Supply Co., LTD.
 [SN]XXXXXXXXXXXXXXXXXX

电源适配器
 型号: LXCP65-240 RoHS
 输入: 100-240V~ 50/60Hz 1.5A Max
 输出: 24.0V \equiv 2.0A

制造商: 深圳市龙星辰电源有限公司
 [SN]XXXXXXXXXXXXXXXXXX

Power Adapter
 Model: LXCP65-240 RoHS
 Input: 100-240V~ 50/60Hz 1.5A Max
 Output: 24.0V \equiv 2.0A

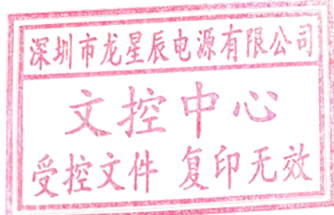
Manufacturer: Shenzhen Longxc Power Supply Co., LTD.
 [SN]XXXXXXXXXXXXXXXXXX

铭牌符号说明:/Symbol explanation on label:

- : 环保标志/RoHS mark
- : 直流标志/Direct current
- : 二维码/Two-dimensional code
- : CE 标志/CE mark
- : 室内使用/In-door use only
- : 输出极性/DC Cable
- : II 类设备, 无接地/Class II equipment, no earthing
- : 保护环境 —— 废弃电器产品应统一回收处理, 不能随意丢弃/ Environment protection- The waste of electrical products should not be disposed with household waste. Please follow the local government guidelines

[SN]:XXXXXXXXXXXXXXXXXX

- SN: 代表序列号/SN: Serials number
- X 代表 RoHS (1 位): RoHS 区分 0 为 RoHS, 1 为非 RoHS; /1bit:0=RoHS, 1=No RoHS
- XX 代表 生产批次 (2 位): 如第一批为 01……以此类推; /2bit:batch
- XX 代表 电源型号 (2 位): LXCP65 为 65; /2bit:model no.
- X 代表 生产加工商 (1 位): LXC 为 1; /1bit: manufacturer
- XX 代表 PCB 版本 (2 位): 00 为 V00, 01 代表 V01……以此类推; /2bit: PCB versions
- XX 代表 生产年份 (2 位): 2023 为 23, 2024 代表 24……以此类推; /2bit:year
- XX 代表 生产周期 (2 位): 第 1 周为 01, 02 周为 02……52 周代表 52; /2bit:week
- XXXXX 代表 订单数量 (5 位): 如订单量为 10000 个, 标识为 00001-10000。/5bit: number





深圳市龙星辰电源有限公司
Shenzhen Longxc Power Supply Co.,LTD

型号/Model: LXCP65 系列

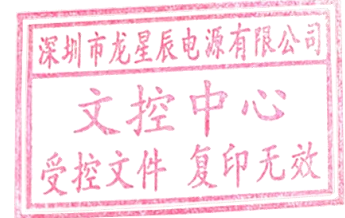
客户代码/Customer code:

日期/Date: 2024.01.19

文件编号/ Document No.: LXC/RD-Spec. -637

13. 包装说明/PACKING

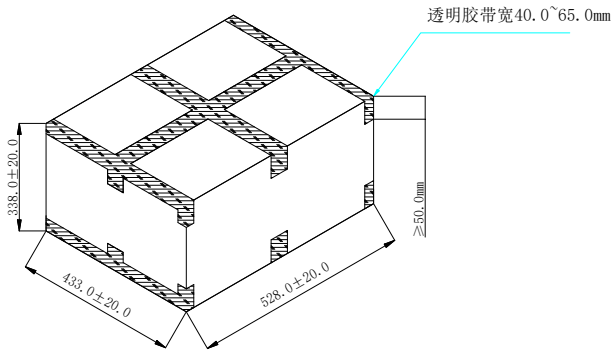
- 电源重量:约 200g;
- The weight of the power supply shall be about 200g.
- 包装方式:120pcs/箱(尺寸:528.0*433.0*338.0mm);
- Packing Q'ty 120pcs/CTN (Size: 528.0*433.0*338.0mm).
- 重量:约 24kg。
- Weigh :about 24kg.



纸箱: 528.0×433.0×338.0mm

重量: 约24千克/箱

外箱丝印:



深圳市龙星辰电源有限公司

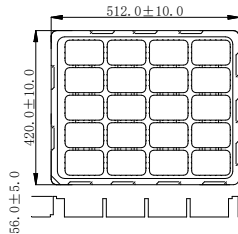
Shenzhen LongXC Power Supply Co.,LTD.

Add:深圳市宝安区石岩街道应人石文韬科技园B栋4-5层
4-5/F,B Building, Yingrenshi Community, Wentao Science Park,
Shiyan Town, Bao'an, Shenzhen, China

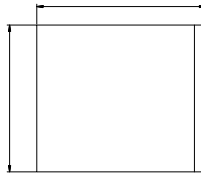
Tel: 0755-27784192 27864721

Fax: 0755-29991201

Web: <http://www.longxc.com>



吸塑托盘



LDPE 袋

