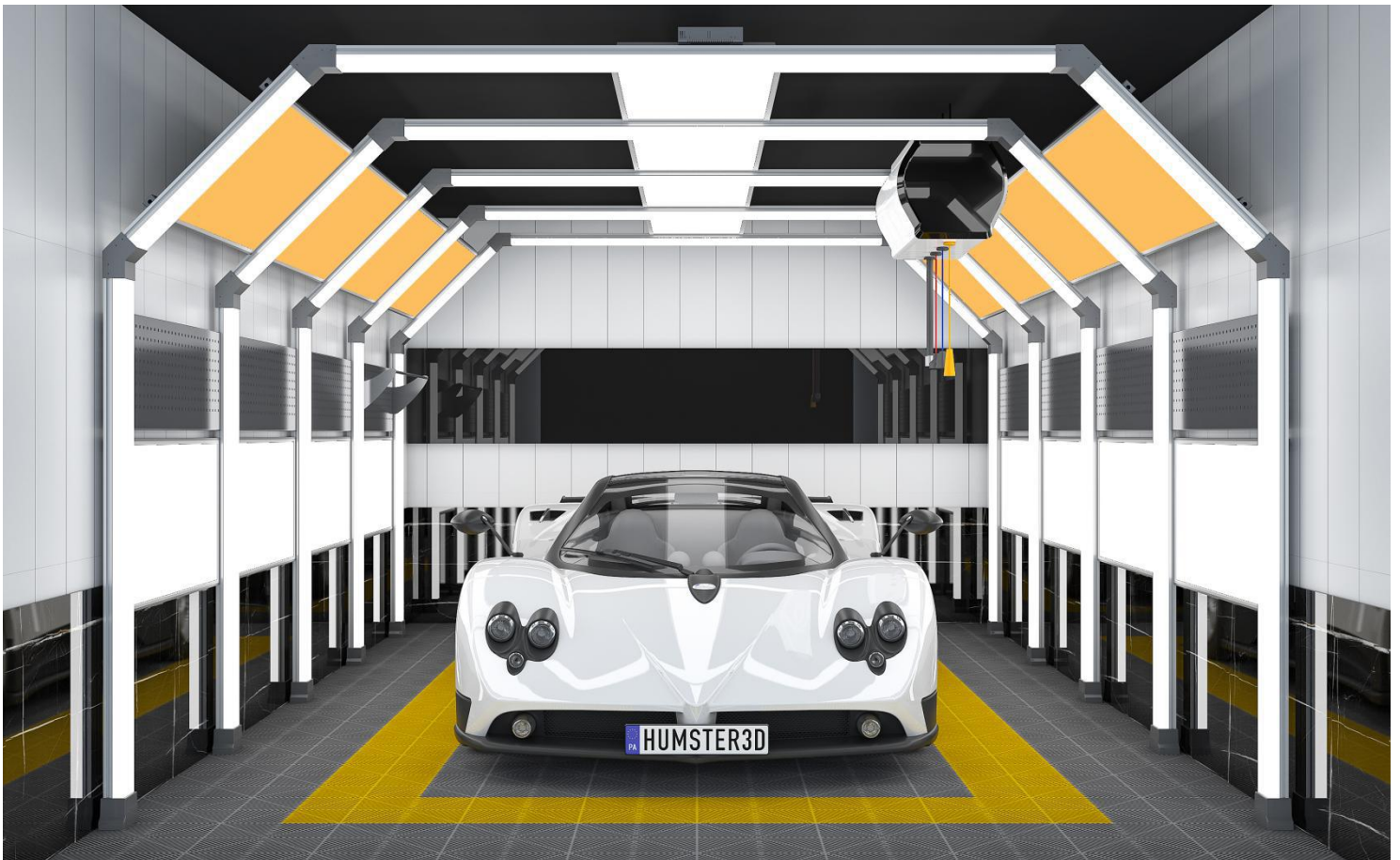


# Installation Instruction



Only for reference! Please read this manual before assembling this product, and keep this for subsequent .

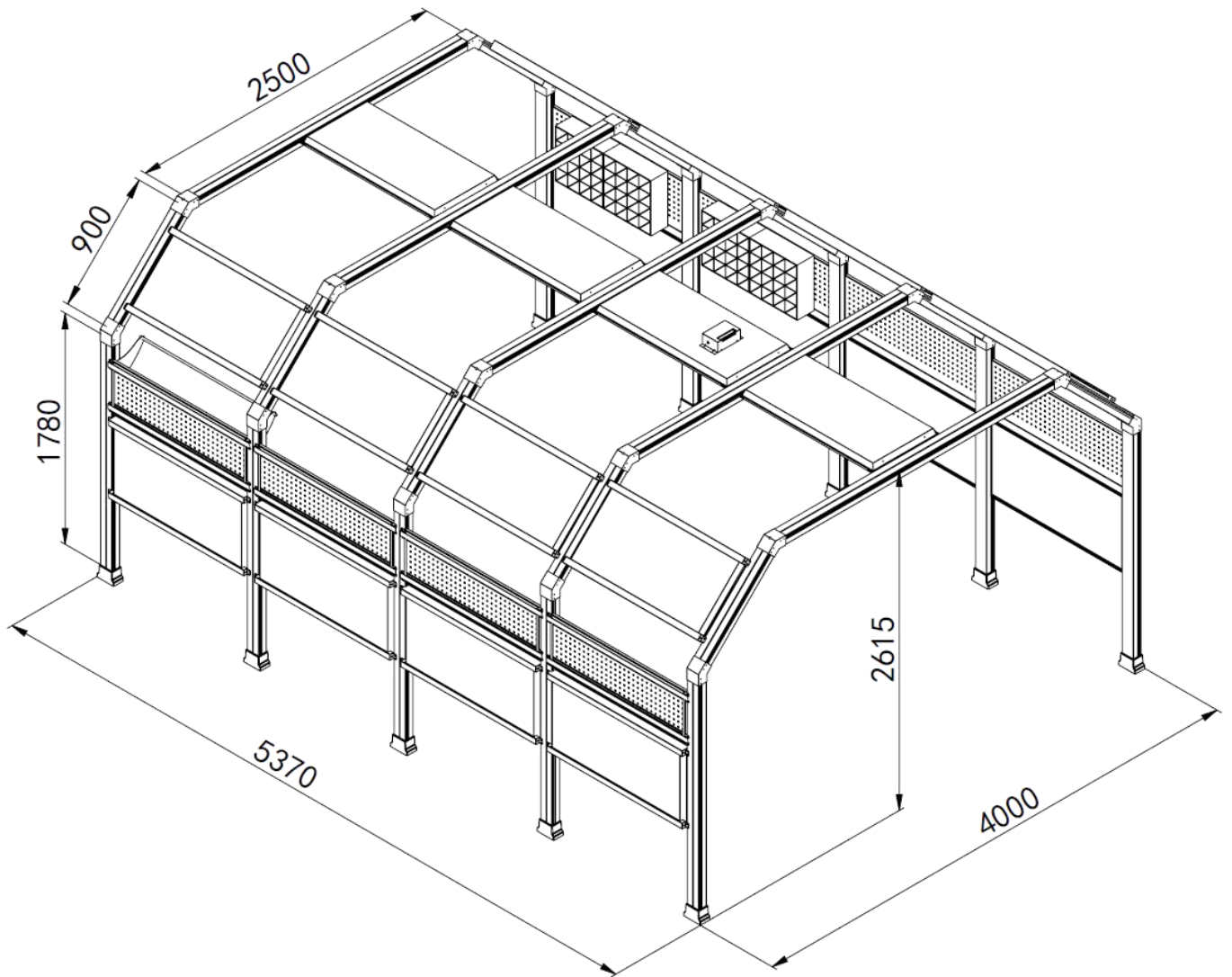
**TEST BEFORE PUTTING IT INTO THE CEILING!**

# Contents

1. Design Sketch.....	2
2. Parts List.....	3
3. Picture show.....	4
4. Technical Data.....	5
5. Assembling Instruction.....	5
6. Circuit Diagram.....	10
7. Remark.....	11

## Design sketch


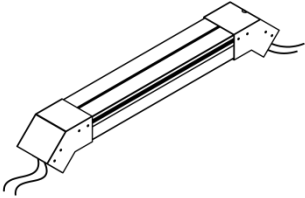

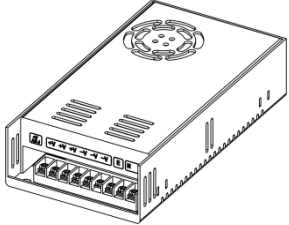
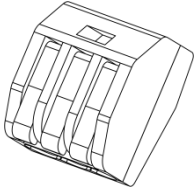
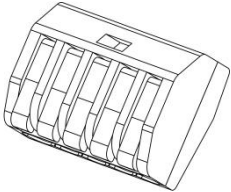
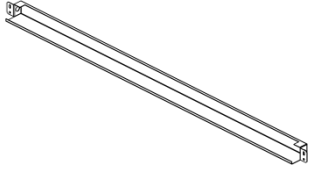
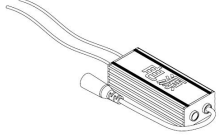
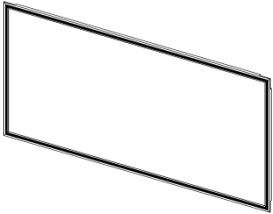
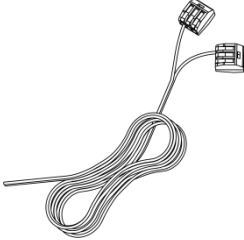
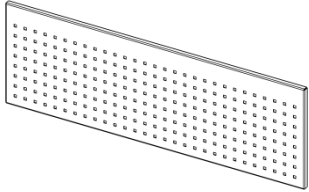
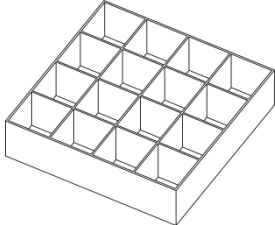

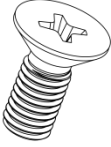
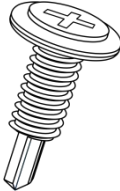
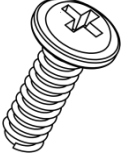
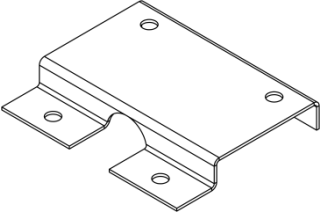
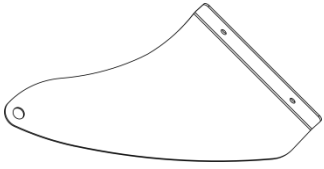
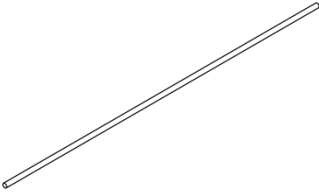
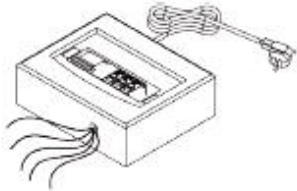
6 groups (Please carefully read the “**Circuit Diagram**” before installing)



## Parts List

No.	Name	Specification	Qty	Unit	Pic.
1	Post led light bar	L:1780mm W: 100mm	10	piece	L1
2	Sloped led light bar	L:900mm W: 100mm	10	piece	L2
3	Top led light bar	L:2500mm W: 100mm	5	piece	L3
4	Driver for light bars	400W	5	piece	D1
5	3-terminal quick union	Orange and gray	30	piece	K1
6	5-terminal quick union	Orange and gray	10	piece	K2
7	0.6m lighting box	0.6x1.2m white & warm white	20	piece	H1
8	Driver for lighting box	AC220v 40w	40	piece	D2
9	Connector for lighting box	L: 1.2m Gray	20	piece	G1
10	Wires for lighting box	L: 1.5m 1with2	40	piece	X1
11	Tool's hanging board	1.2m with pothook	8	sets	W1
12	Connector for Tool's hanging board	L: 1.2m Gray	16	piece	G2
13	Towel box	420x420mm	4	piece	W2
15	Towel hanging rod sets	rod*1+mounted plate*2	1	set	J1/2
16	Control System	2 terminals	1	set	J3
17	Mounted plate	for light bars' drivers	10	piece	G4
18	Countersunk screws	4x4mm for mounted plate	20	piece	S1
20	Cushioned screw	4x12mm for connectors of top lighting box	85	piece	S2
21	Self tapping screw	4x13mm for connectors of light bars and tool board, also towel box and other hanging rod sets	155	piece	Z1
22	Self tapping screw	4x25mm for connectors of lighting box	150	piece	
23	Installation instruction	-	1	piece	

**Picture show**

<p>L1</p> 	<p>L2</p> 	<p>L3</p> 	<p>D1</p> 
<p>K1</p> 	<p>K2</p> 	<p>G1</p> 	<p>D2</p> 
<p>H1</p> 	<p>X1</p> 	<p>W1</p> 	<p>W2</p> 
<p>G2</p> 	<p>S2</p> 	<p>Z1</p> 	<p>S1</p> 
<p>G4</p> 	<p>J1</p> 	<p>J2</p> 	<p>J3</p> 

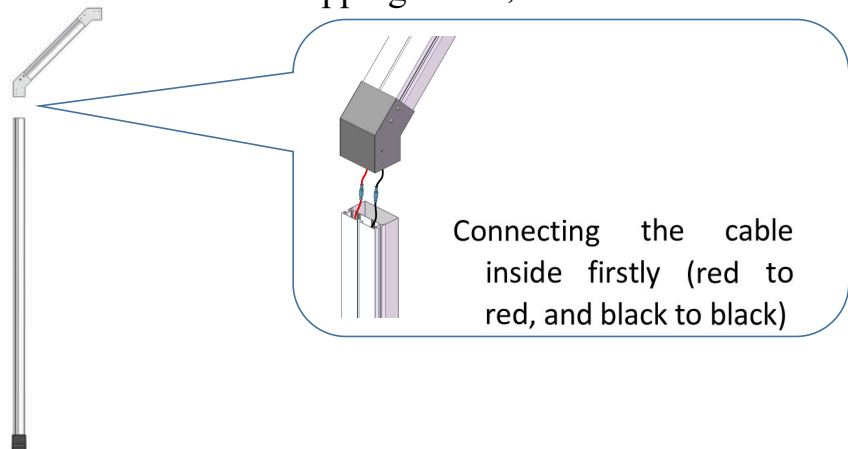
## Technical Data

Voltage	AC220V
Power	2857W
Current	23.8A
Width	100mm +600mm
Luminous Flux	110-120lm/w
CRI.	>90
CCT.	6500K (White)
Material	Aluminium+PVC cover

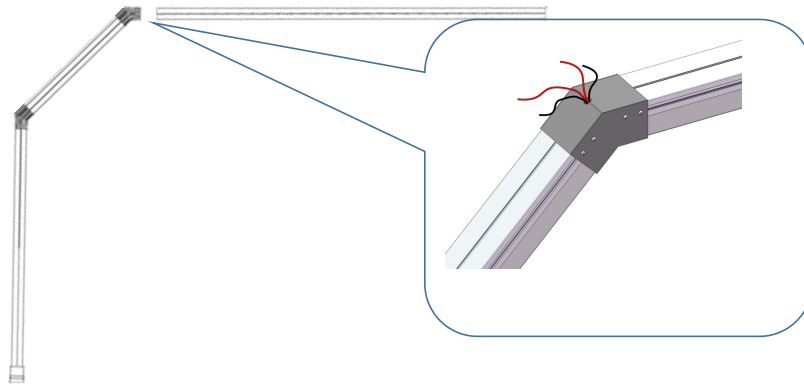
## Assembling instruction

### A.How to assemble the tunnel light;

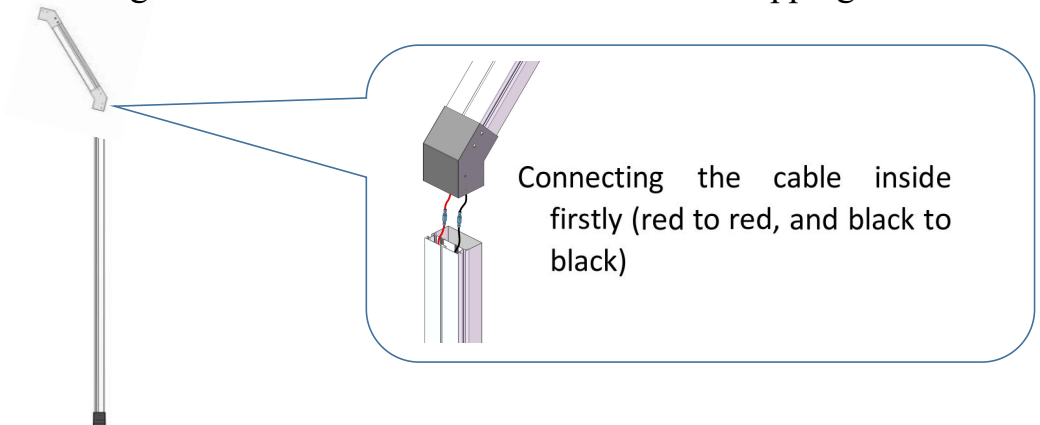
Step 1 Sloped led light bar 900mm (**without the cable entry**) connect with the post led light bar 1780mm, and screw it with self tapping screw;



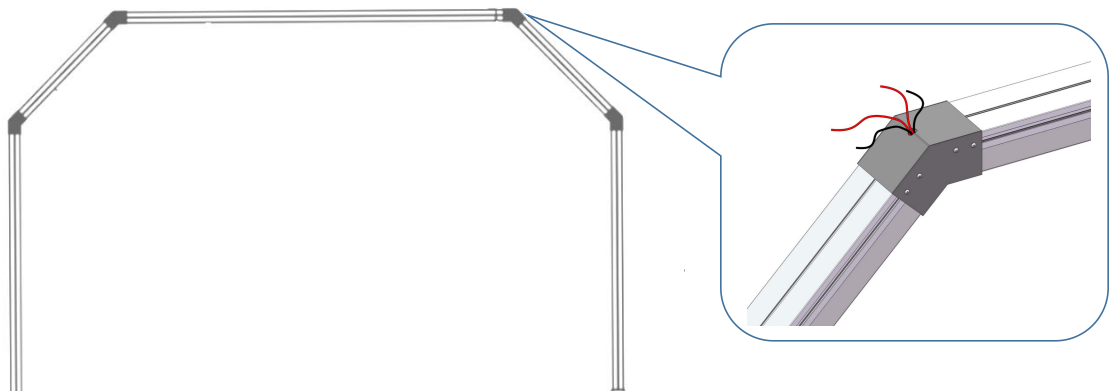
Step 2 Then, connect the other side of the sloped led light bar 900mm (**with the cable entry**) with the top led light bar 2500mm, take out the wires of the sloped led light bar and the top led light bar through the cable entry on the connectors, and screw it with self tapping screw;



Step 3 as step1, connect another sloped led light bar 900mm (**without the cable entry**) with the post led light bar 1780mm, and screw it with self tapping screw;

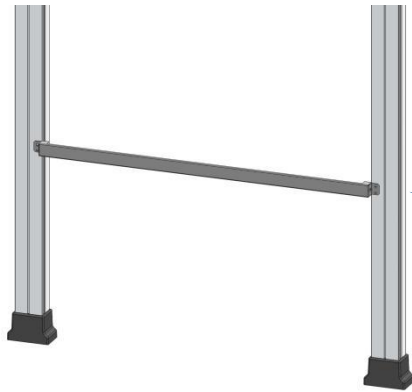


Step 4 Connect the parts of step2 &step3 , take out the wires of the sloped led light bar and the top led light bar through the cable entry on the connectors, and screw it with self tapping screw;

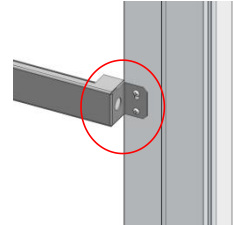


Step 5 connect all the light bars as above to form 5 groups of the same structure as step4 shows.

## B. How to assemble the 0.6 led light;



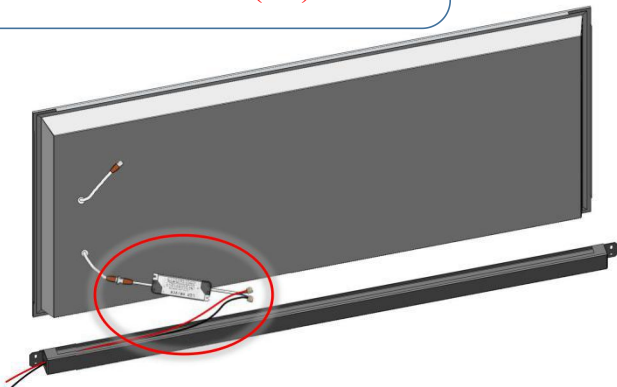
The hole on the connectors are for wire passing.



Screw the connectors of the 0.6m lighting box on the tunnel light bars ( which side closes to the ground), with the Self tapping screw( M4x25mm)

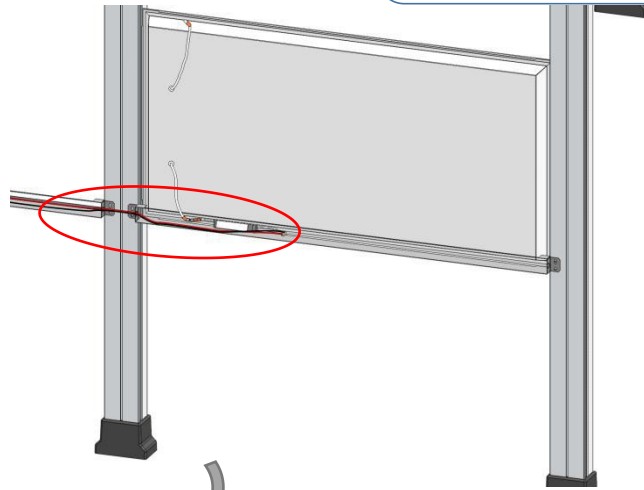


As pic shows, put 0.6 lighting box on the connectors, and wire the lighting box with the drivers of it(K1)

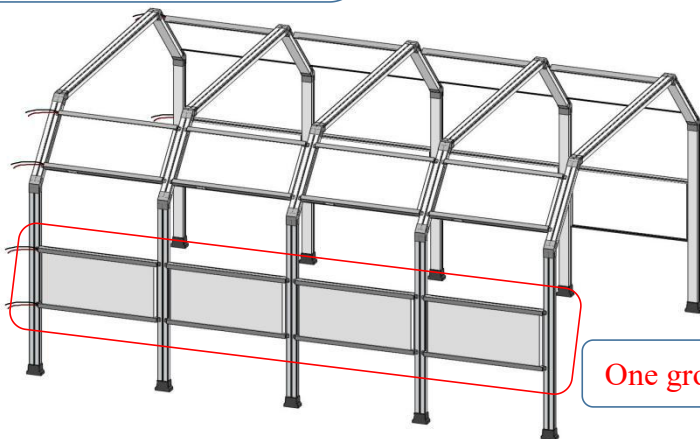




Hide the drivers and wires in the connectors.

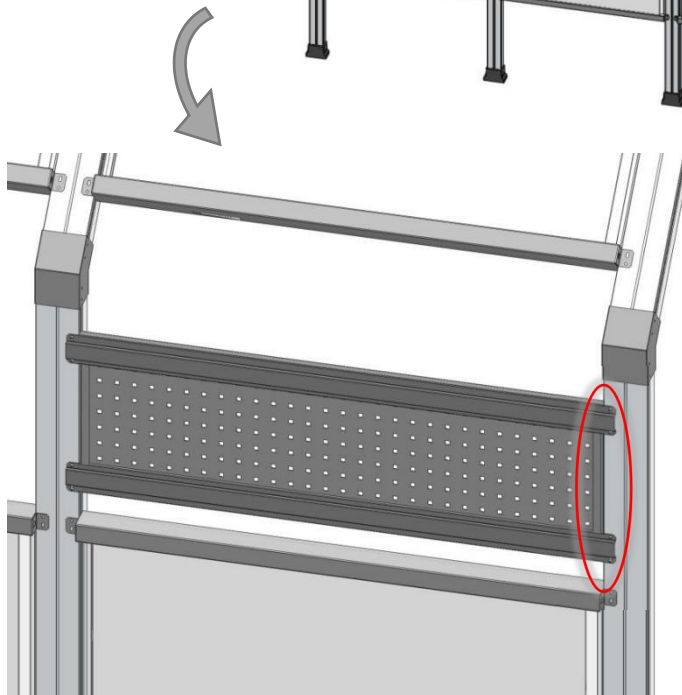
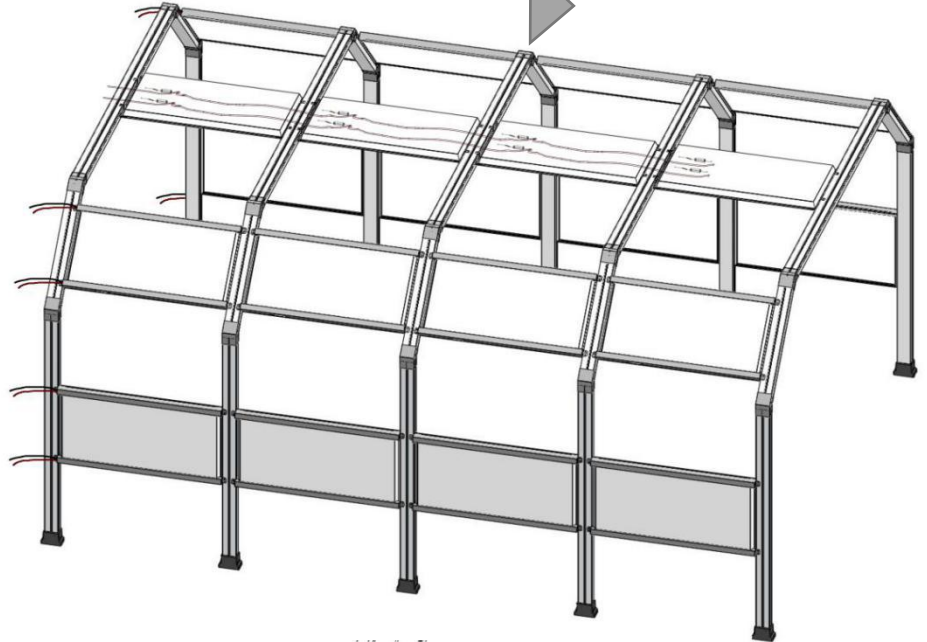
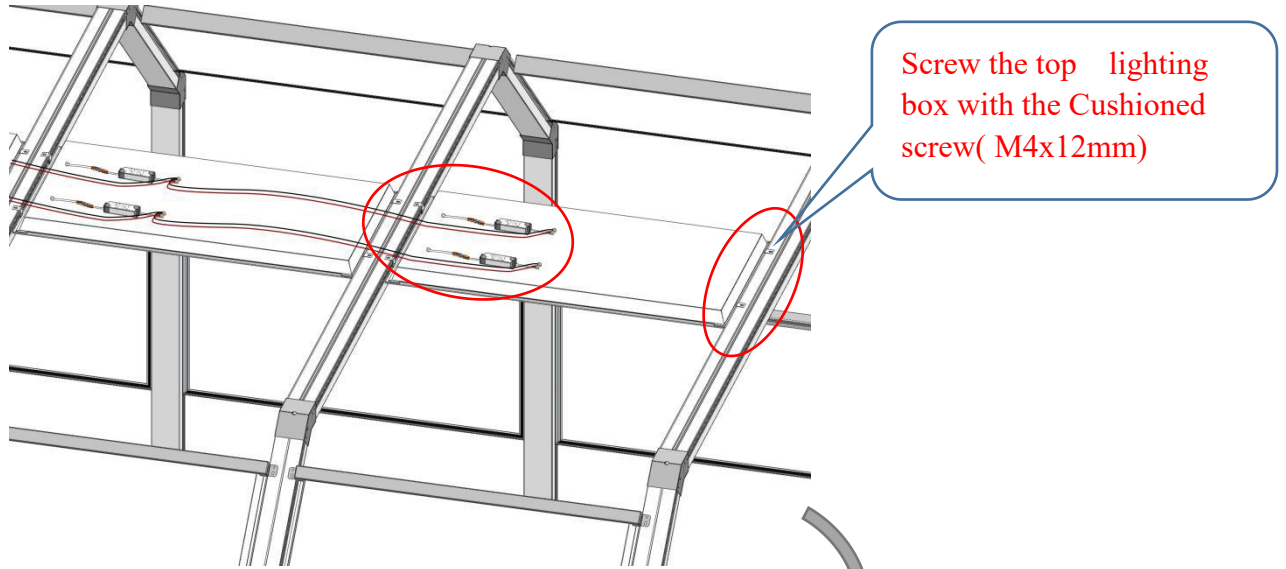


See as pic shows, there should be 2 wires out for each group of the panel light.



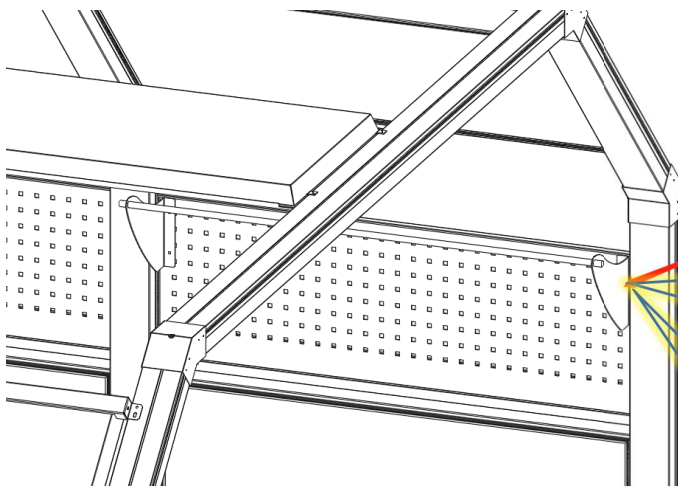
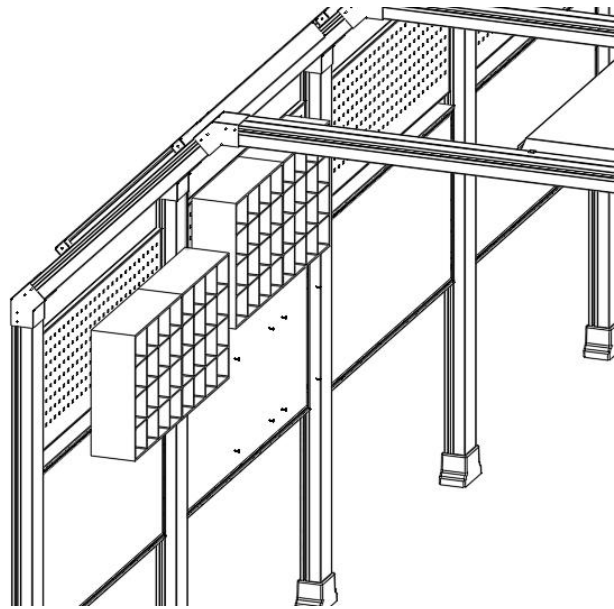
One group

**the 0.6 led light on the top(the wire connection are different)**

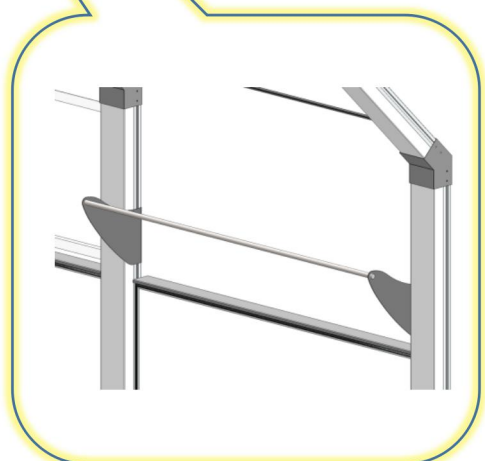
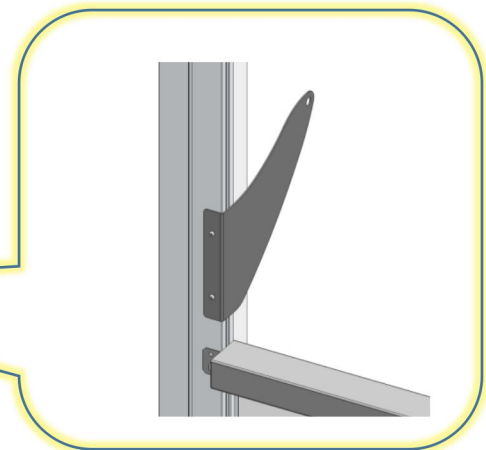


Screw the tool board with its connectors and self drilling screw A(M4x12mm).

Screw the towel box on the tool board(M4x13mm).



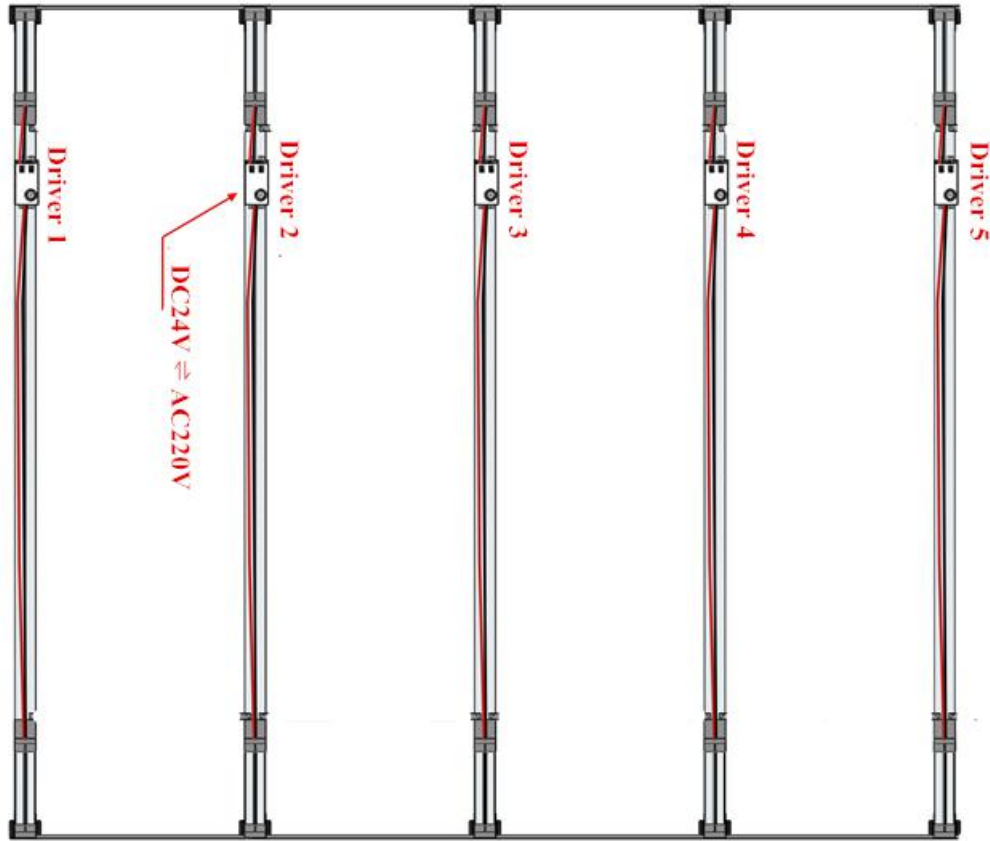
Screw the towel hanging rod(M4x13mm).



# Circuit Diagram

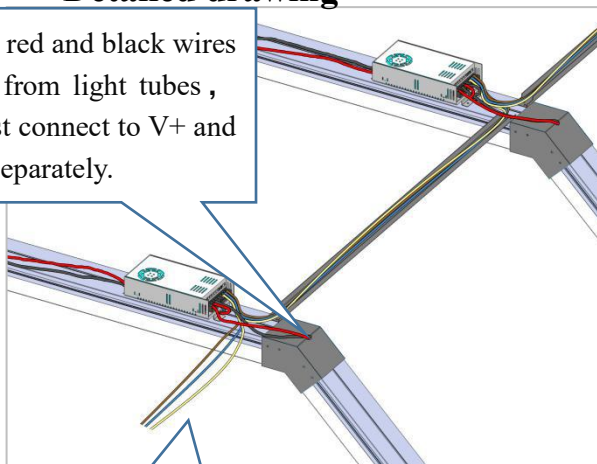
There are 10 wire entries for the tunnel light, and each for 2 wires. Parallel connecting as follow:

Top View

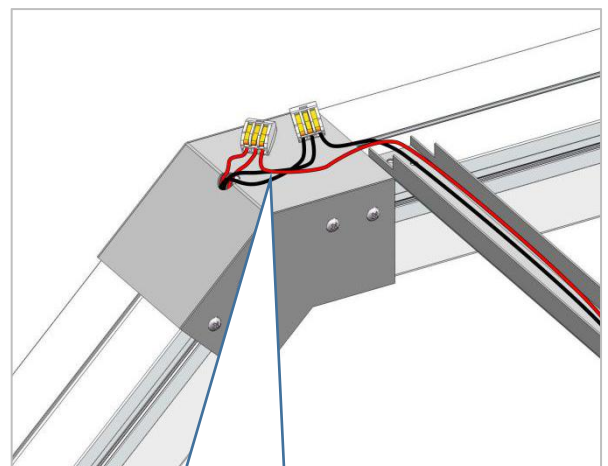


## Detailed drawing

The red and black wires out from light tubes, must connect to V+ and V- separately.



Connect the L terminal, N terminal and earth terminal with AC220V/Control Switch with 2.5mm<sup>2</sup> wires.

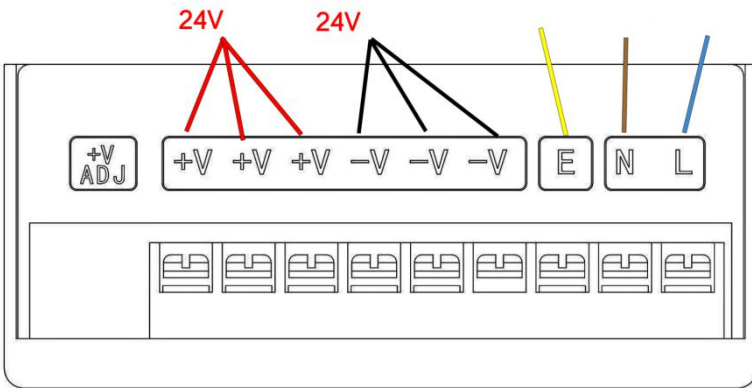
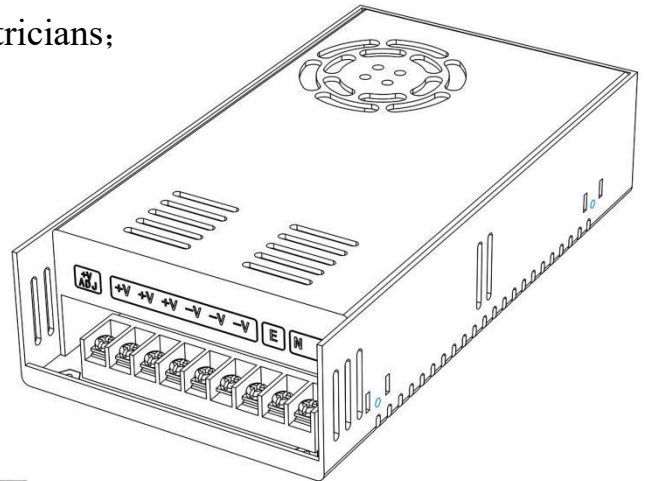


PS: the quick union would help for the wires connection.

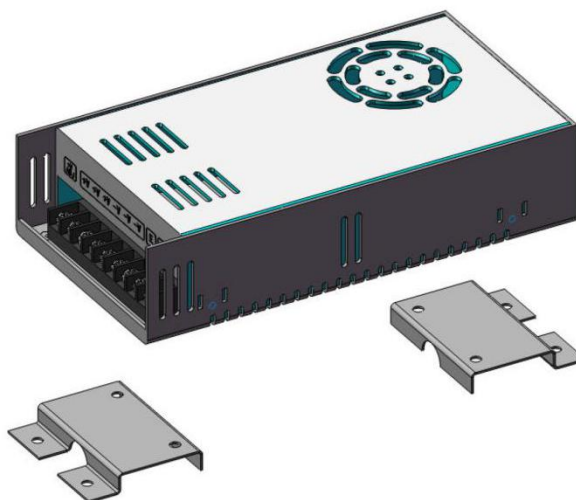
**Remark**

1. the red wires connect with the positive pole, and black wire connect with the negative pole;
2. each driver cannot control the light bar more than 400W;
3. this product should be installed by trained electricians;

**Driver Show:**



**Caution:** The driver should be used in ventilated and dry environment. And please remove the dust with air gun every month.



Fix the 5 drivers on the tunnel top with countersunk screws( M4x4mm).