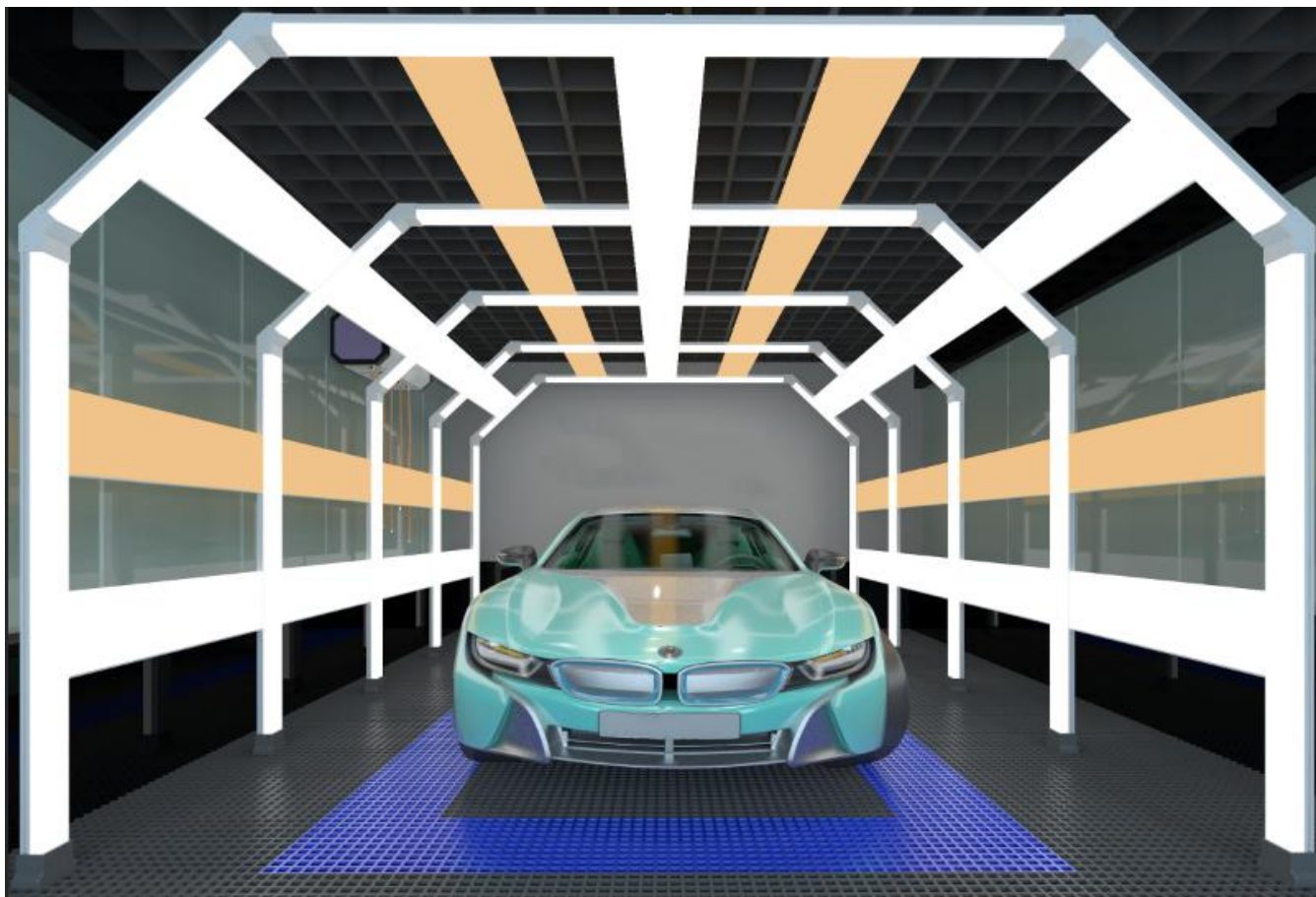


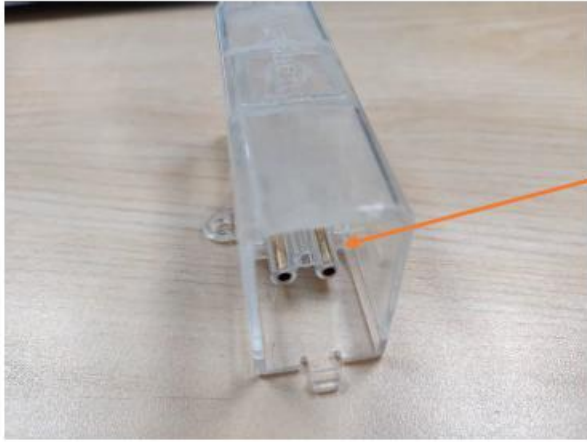
# Installation Instruction



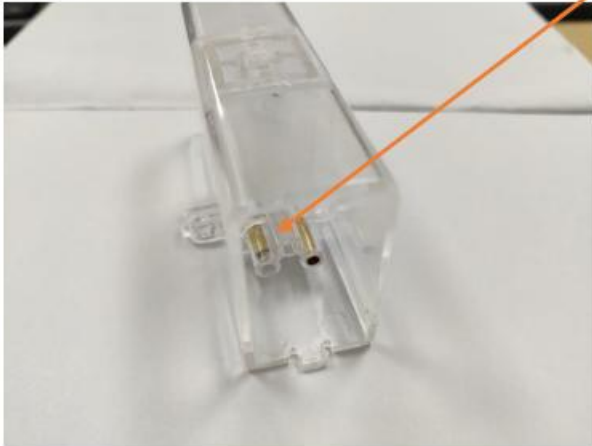
Only for reference! Please read this manual before assembling this product, and keep this for subsequent .

**TEST BEFORE PUTTING IT INTO THE CEILING!**

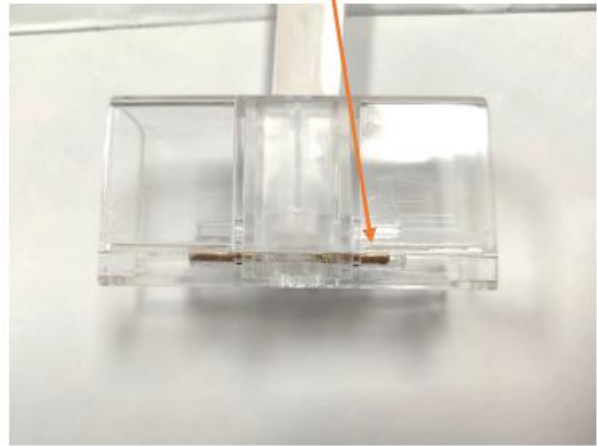
## WARNING TIPS



The well-made copper parts



The deformed copper parts  
by violence



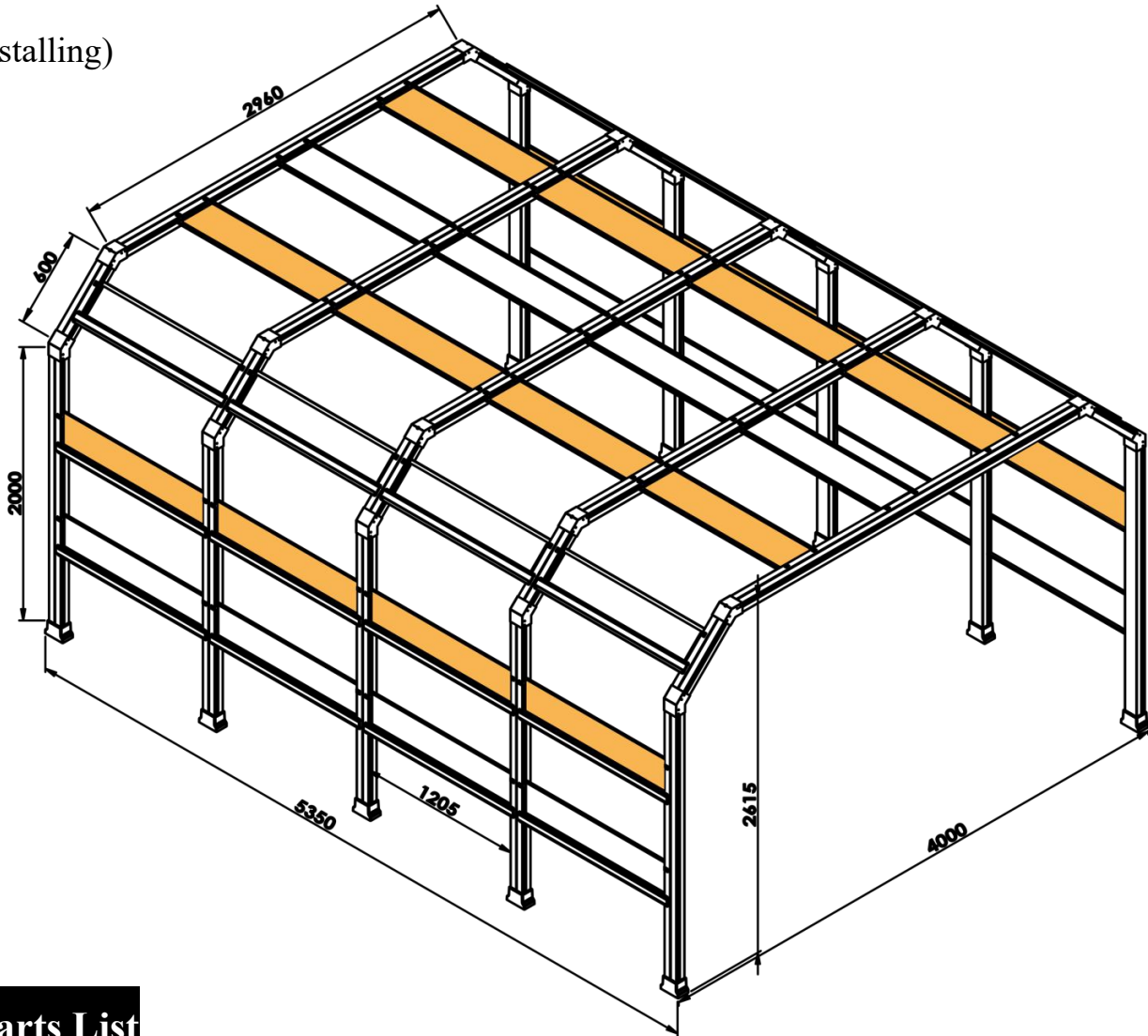
Please do not match the connectors by violence, it would burn the whole set of lamps.

If it does not match the lamps well, please try to joint accurately or change the lamp, do not broken the connectors by violence. It is suggestable to test before powering in by the AVO meter.

**Design sketch**


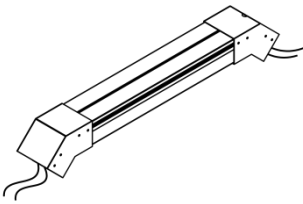

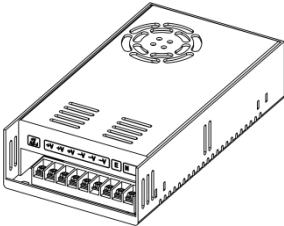
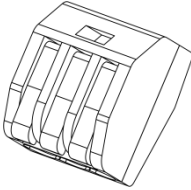
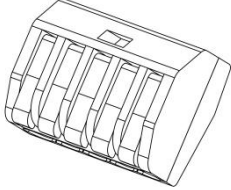
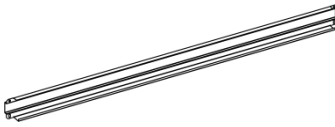
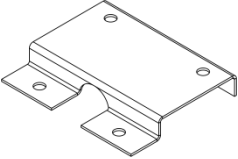
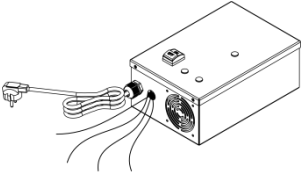
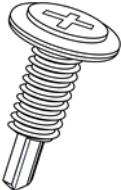
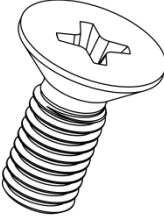
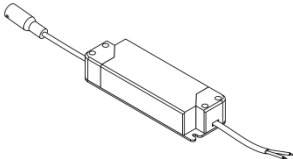
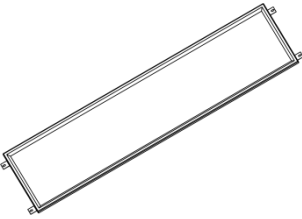
5 groups (Please carefully read the “Circuit Diagram” before

installing)

**Parts List**

N	Name	Specification	Qua	Unit	Pic	Remark
1	LED post bar	L:2000mm W:	10	piece	L1	
2	LED sloped bar	L:600mm W:	10	piece	L2	
3	LED beam bar	L:2960mm W:	5	piece	L3	
4	Tunnel driver	400W	5	piece	D1	
5	Switch	2 terminals	1	piece	D2	
6	3terminal quick union	orange/gray	16	piece	K1	
7	5terminal quick union	orange/gray	18	piece	K2	
8	0.3m light	0.3x1.2m white	20	piece	M1	
9	0.3m light	0.3x1.2m warm	16	piece		
10	Drivers for panel light	AC220v 40w	36	piece	N2	
11	Connectors for panel	L: 1.2m gray	48	piece	G1	
12	Cushioned screw	4x15mm	192	piece	S1	
13	Self drilling screw	4x20mm	80	piece	Z1	
14	Installation instruction	-	1	piece	-	

**Picture show**

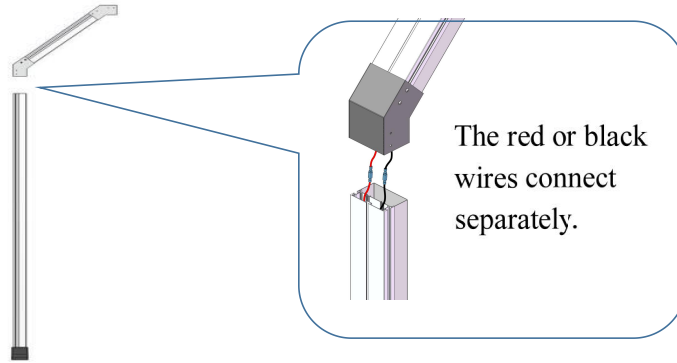
<b>L1</b>	<b>L2</b>	<b>L3</b>	<b>D1</b>
			
<b>K1</b>	<b>K2</b>	<b>G1</b>	<b>F1</b>
			
<b>D2</b>	<b>Z1</b>	<b>S1</b>	<b>N2</b>
			
<b>M1</b>			
			

**Technical Data**

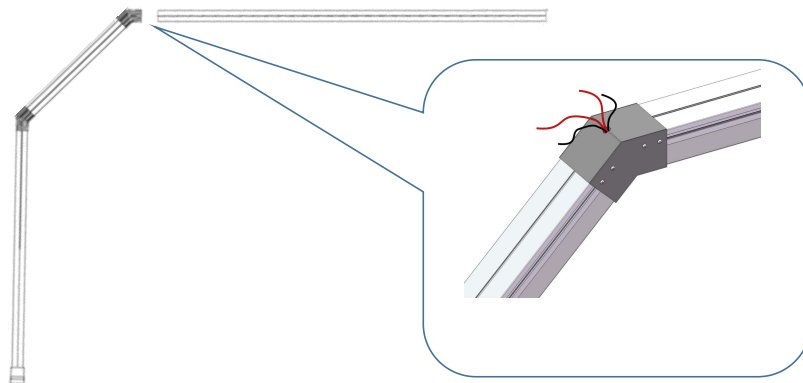
Voltage	AC220V
Width	100mm
Luminous Flux	110-120lm/w
CRI.	>90
CCT.	6500K (White)
Material	Aluminium+PVC cover

## Assembling instruction

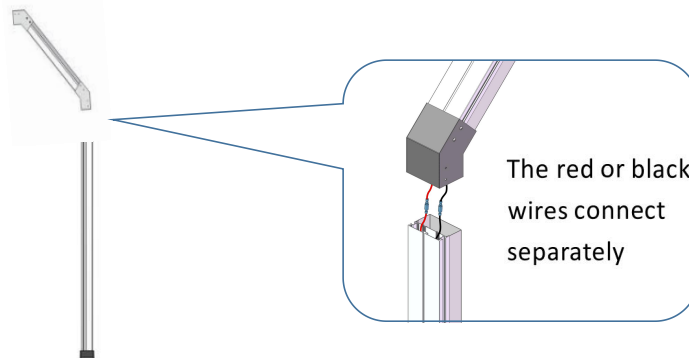
Step 1 Sloped bar 600mm (**without the cable entry**) connect with the post bar 2000mm, and screw it with self drilling screw;



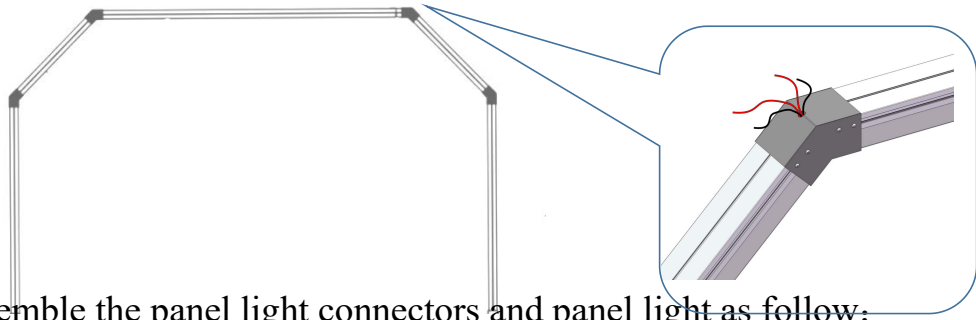
Step 2 Then, connect the other side of the sloped bar 600mm (**with the cable entry**) with the beam bar 2960mm, take out the wires of the sloped bar and the beam bar through the cable entry on the connectors, and screw it with self drilling screw;



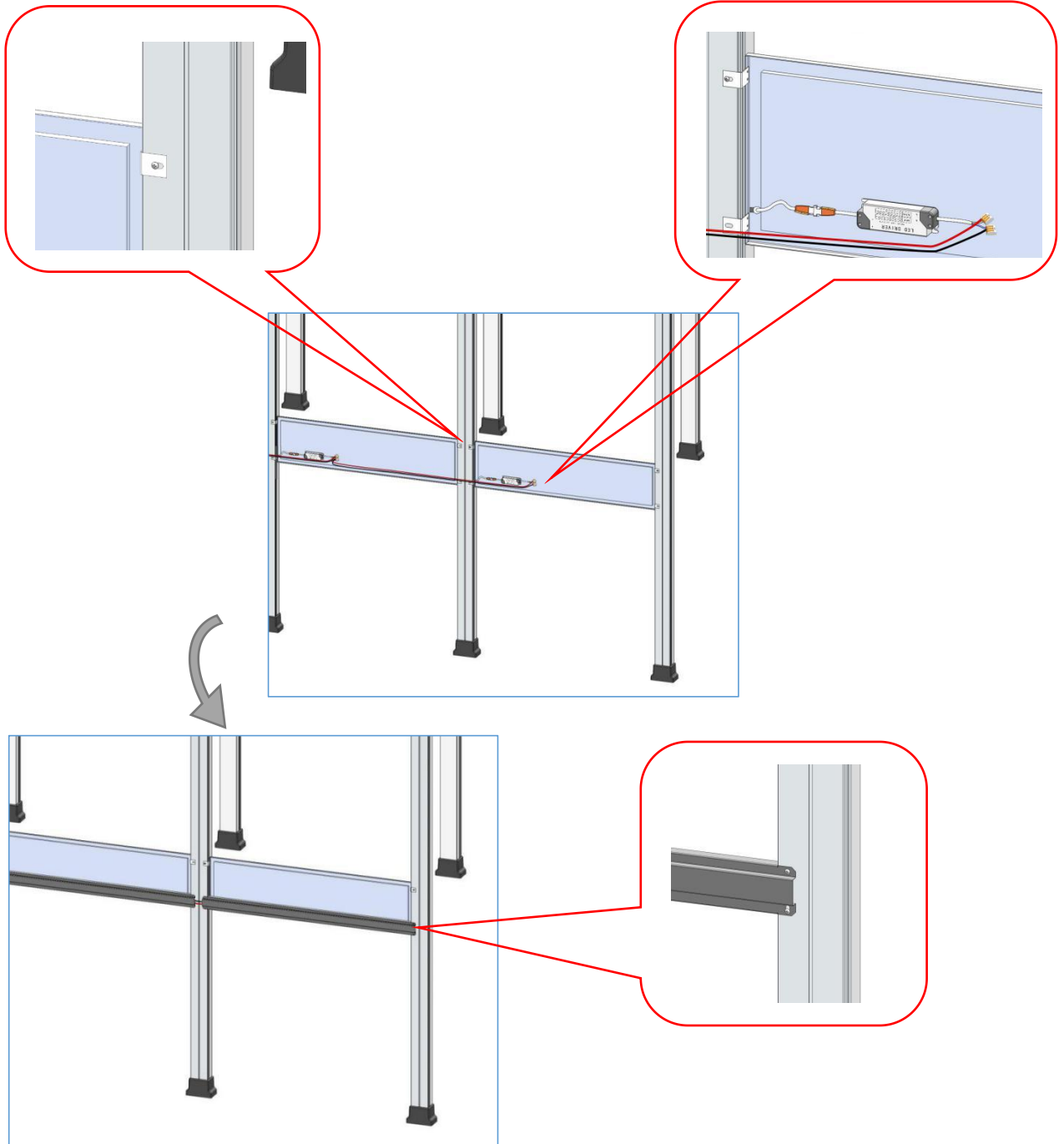
Step 3 as step1, connect another sloped bar 600mm (**without the cable entry**) with the post bar 2000mm, and screw it with self drilling screw;



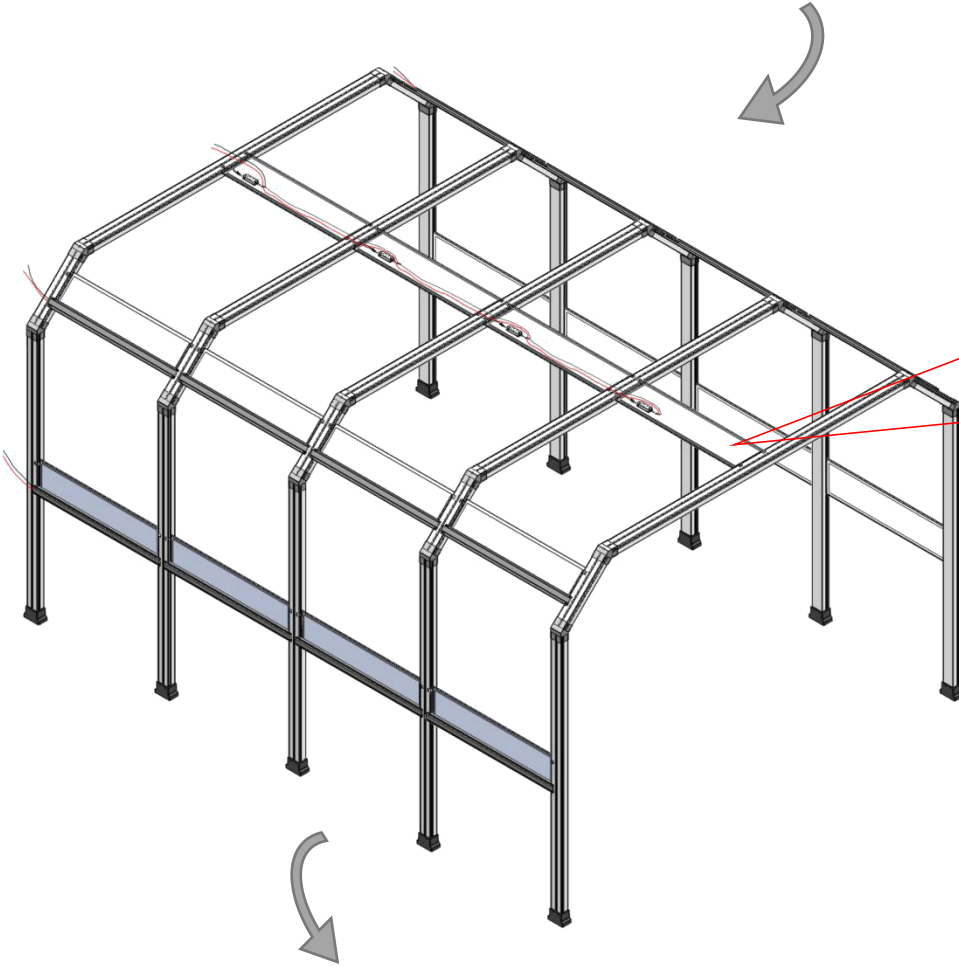
Step 4 Connect the parts of step2 &step3, take out the wires of the sloped bar and the beam bar through the cable entry on the connectors, and screw it with self drilling screw;



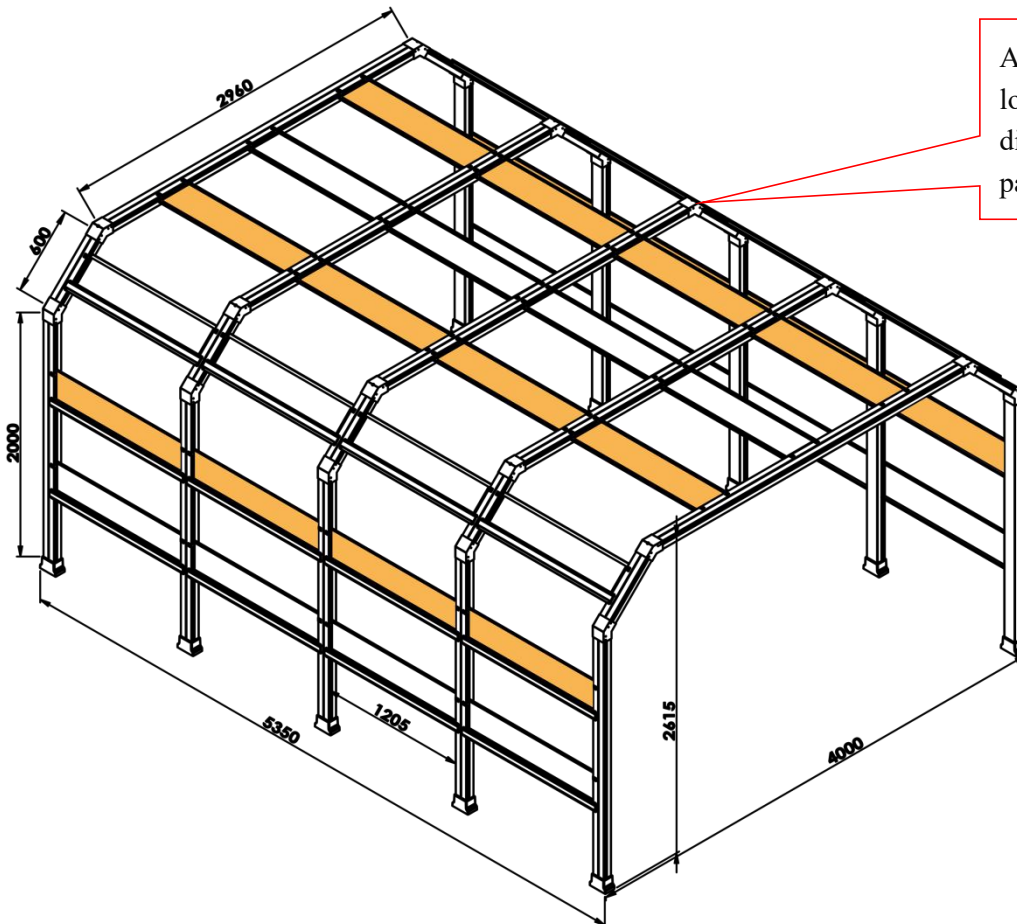
Step 5 assemble the panel light connectors and panel light as follow:







The connection of the top panels is different from the panel on the stand bar and sloped bar, and there's no need to use the connectors on the top.

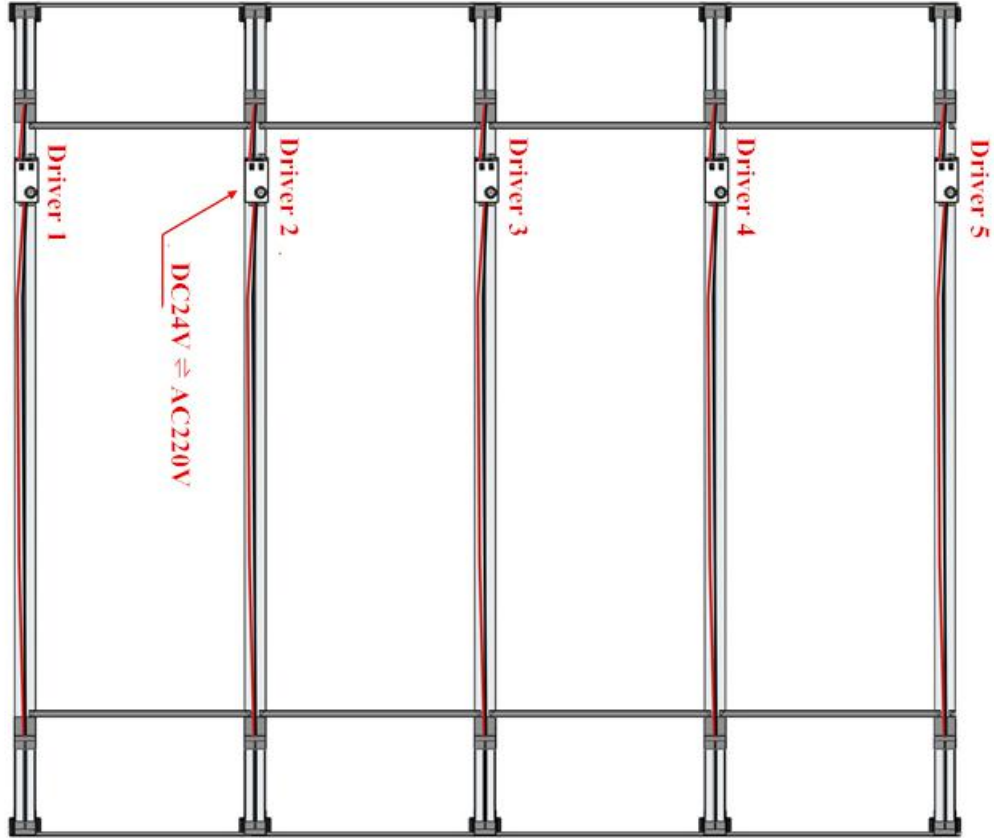


Attention to the location of the different color of panel light.

## Circuit diagram

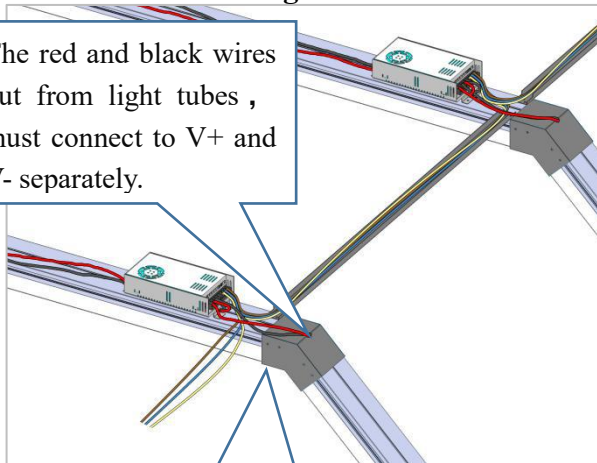
There are 10 wire entries for the whole set, and each for 2 wires. Parallel connecting as follow:

Top View

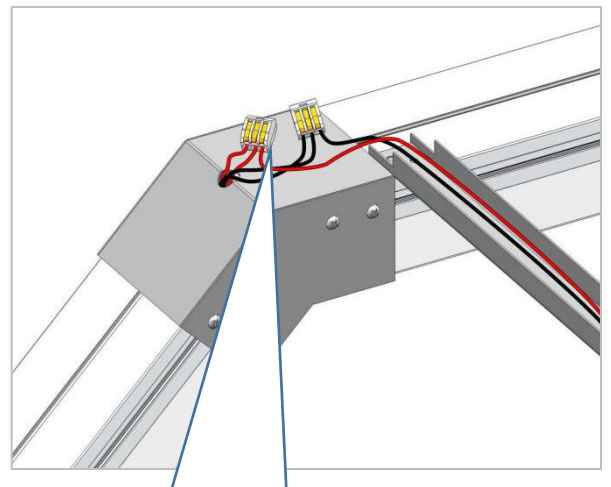


### Detailed drawing

The red and black wires out from light tubes, must connect to V+ and V- separately.



Connect the L terminal, N terminal and earth terminal with AC220V/Control Switch with 2.5mm<sup>2</sup> wires.



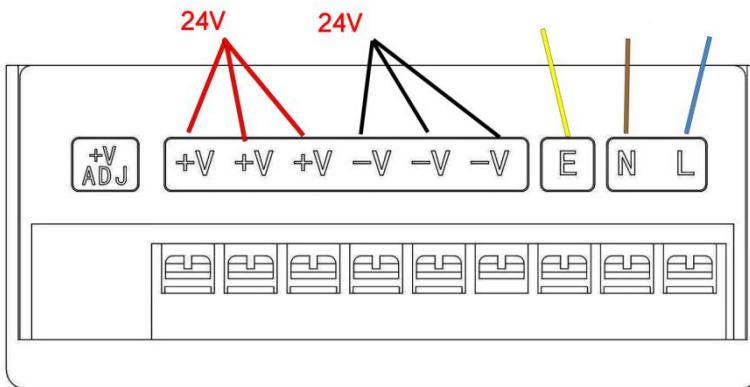
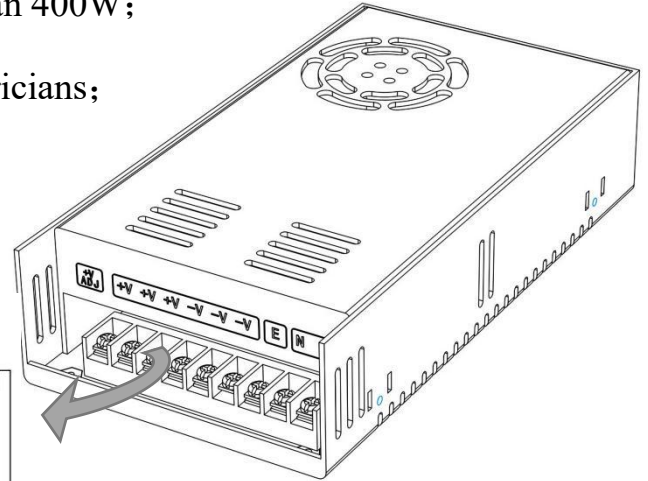
PS: the quick union would help for the wires connection.



**Remark**

1. the red wires connect with the positive pole, and black wire connect with the negative pole;
2. each driver cannot control the light bar more than 400W;
3. this product should be installed by trained electricians;

**Driver Show:**



**Caution:** The driver should be used in ventilated and dry environment. And please remove the dust with air gun every month.

