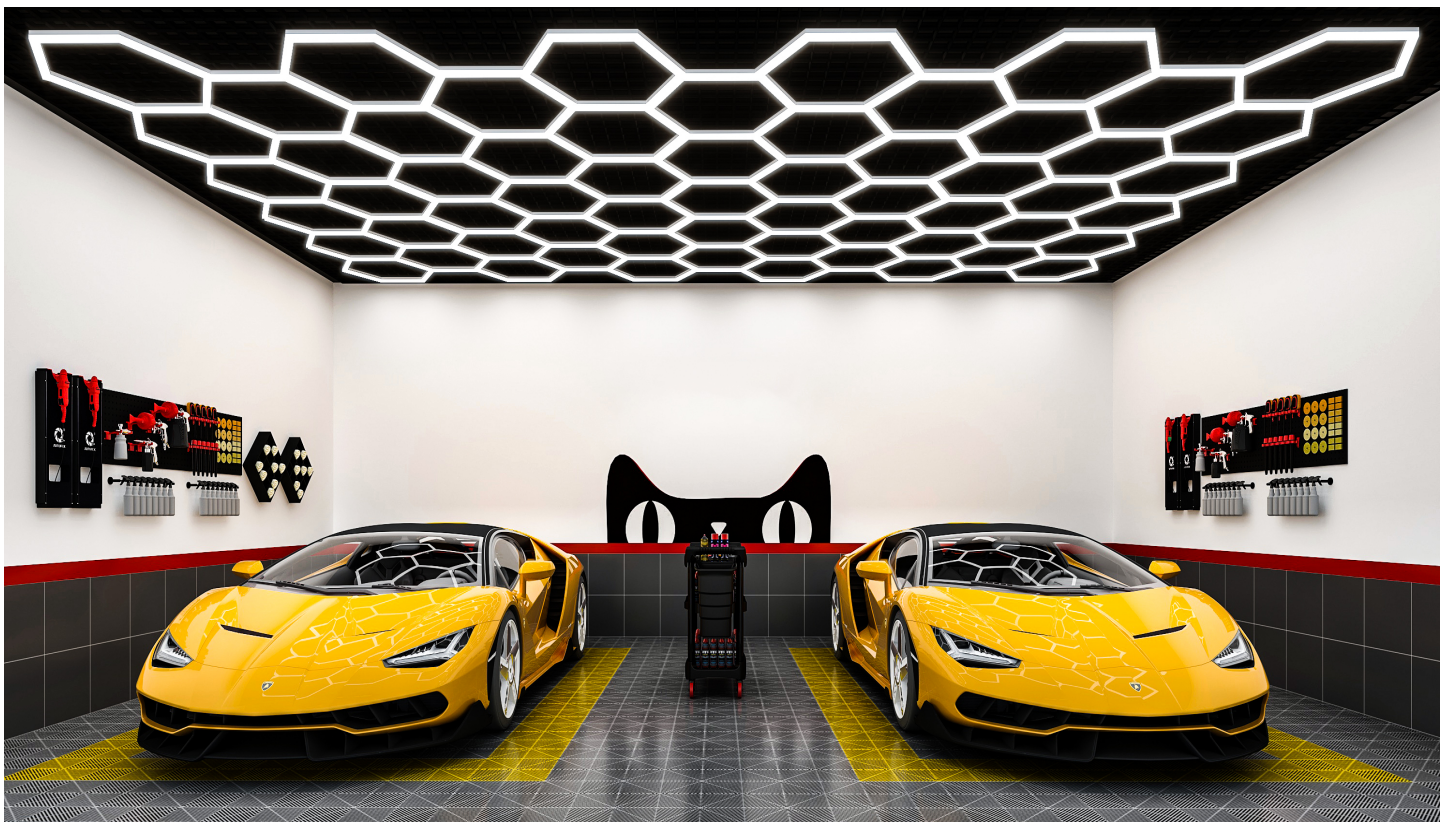


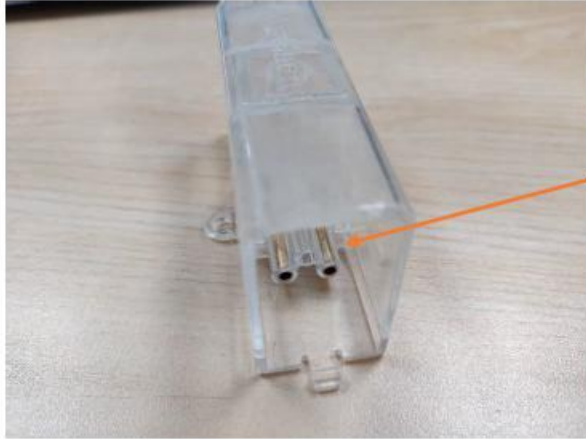
Installation Instruction



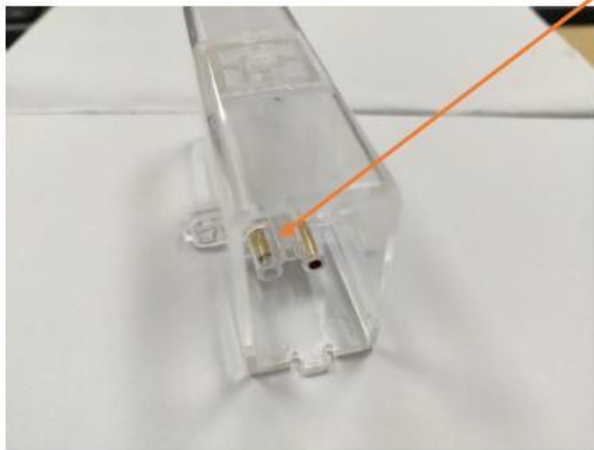
Only for reference! Please read this manual before assembling this product, and keep this for subsequent .

TEST BEFORE PUTTING IT INTO THE CEILING!

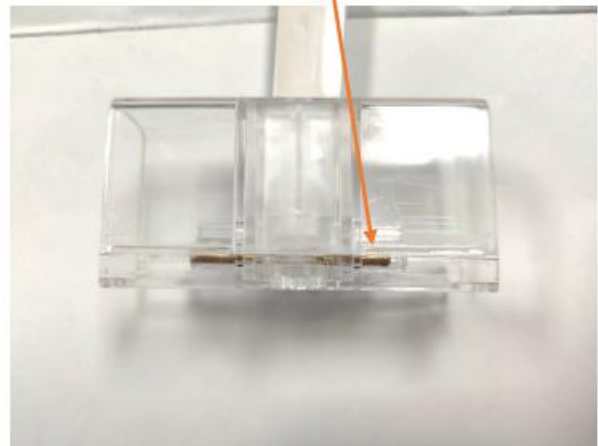
WARNING TIPS



The well-made copper parts



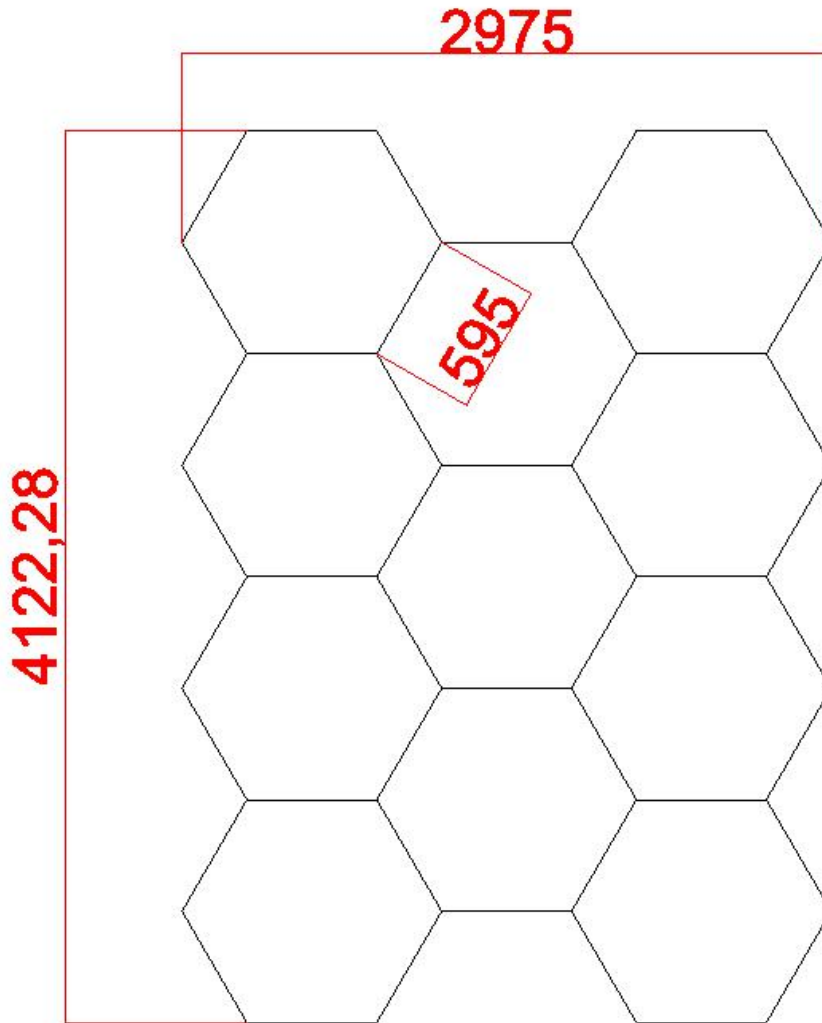
The deformed copper parts
by violence



Please do not match the connectors by violence, it would burn the whole set of lamps.

If it does not match the lamps well, please try to joint accurately or change the lamp, do not broken the connectors by violence. It is suggestable to test before powering in by the AVO meter.

1.Design sketch (Please carefully read the “**Circuit Diagram**” before installing)

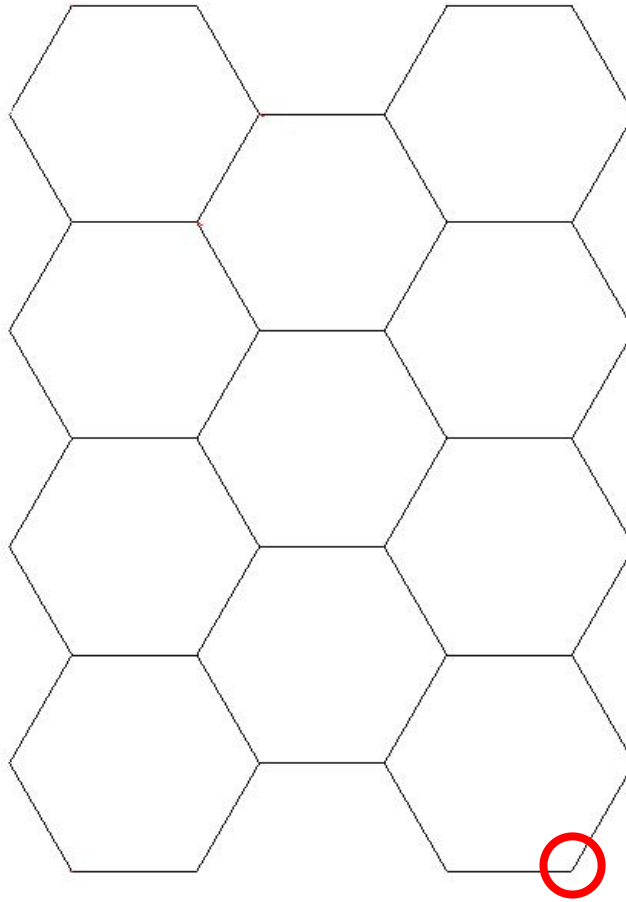



Series	Name	Specification	QTY	Unit	Confirm
1	tubes	L:565*20mm 8w	46	pieces	
2	connectors	120° 2-way white	15	pieces	
3	connectors	120° Y connector white	21	pieces	
4	The cable	1-end	1	pieces	
5	installation instruction	-	1	pieces	

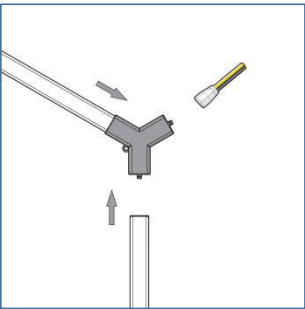
Technical Data

Voltage	AC240V
Power	368W
Current	3.0A

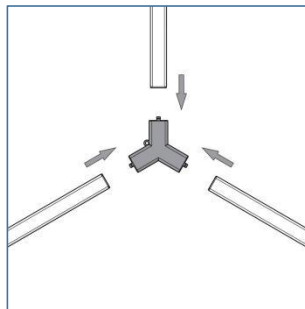
2. Connect the tubes in series as follows;



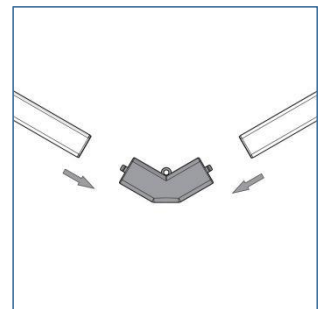
2. The 1  connect as follow picture



1. Other 3-end connection connect as follow picture



3. Other 2-end connection connect as follow picture



CAUTION!!

1. Please be careful while use the light bars connect with the connectors, or it would hurt the copper needle in the connectors;
2. TEST BEFORE PUTTING IT INTO THE CEILING;
3. There is only 1 point for wire connection of the whole structure.

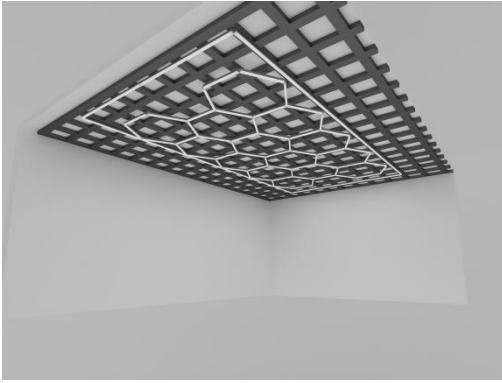
Red—L

Blue—N

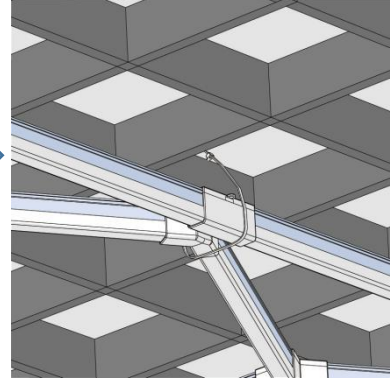
Yellow—E

3. How to install it on the ceiling.

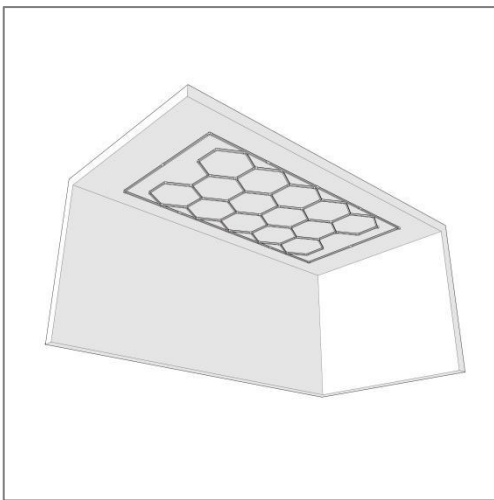
A grid roof



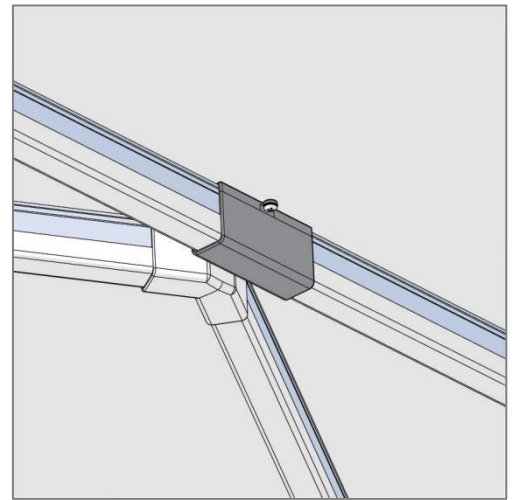
Tie it with ribbons



B flat roof



Screw the connector from the hole to the ceiling directly



Remarks:

1. There should be 1 wires out to connect with 240V;
2. Please install by professional electrician;