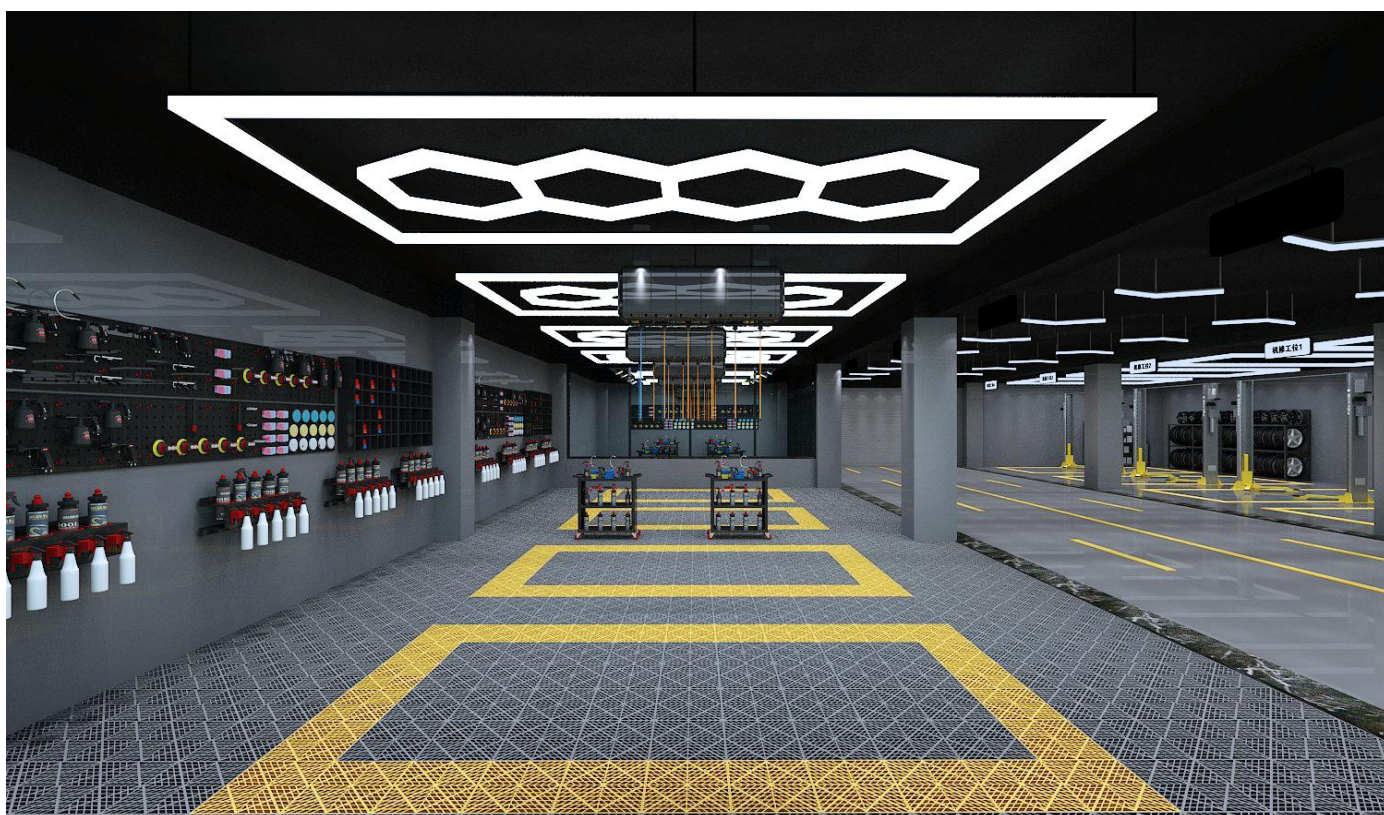


Installation Instruction



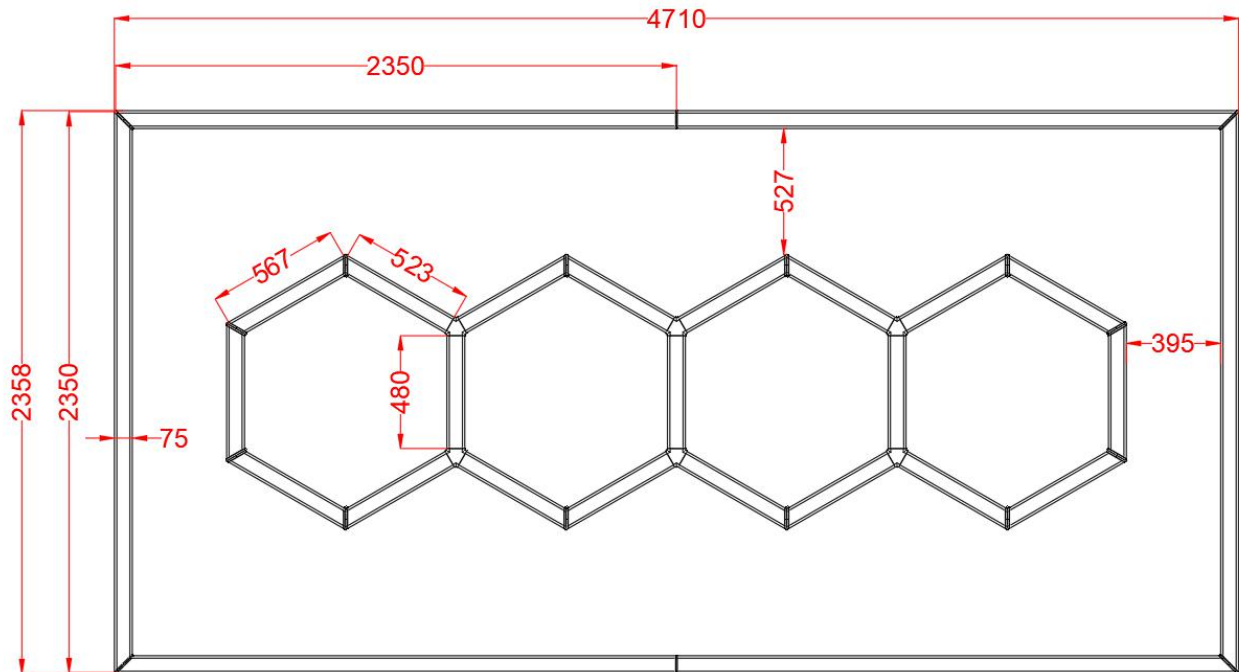
Only for reference! Please read this manual before assembling this product, and keep this for subsequent .

TEST BEFORE PUTTING IT INTO THE CEILING!

Contents

1. Design Sketch.....	2
2. Parts List.....	2
3. Technical data.....	3
4. Assembling Instruction.....	3
5. Circuit Diagram.....	5
6. Mounting Instruction.....	6

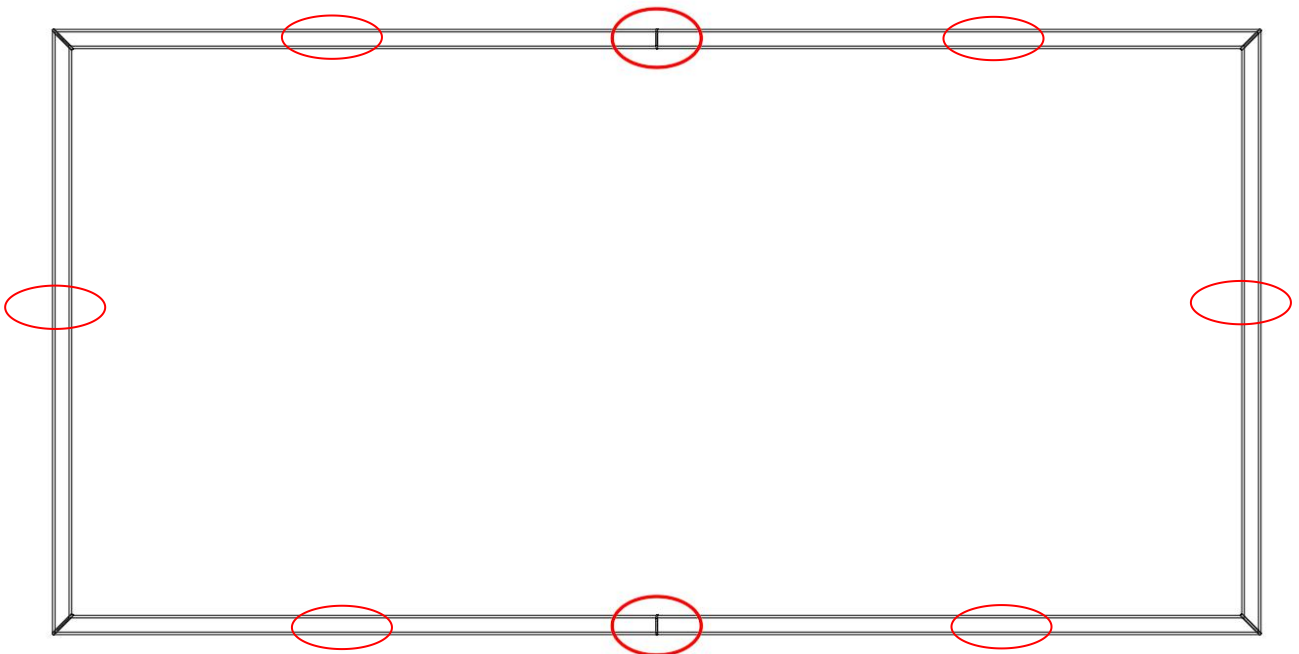
Design sketch



No.	Name	Specification	Quantity	Unit
1	light bars	1.175m	12	pieces
2	light bars	0.585m	18	pieces
3	light bars	0.485m	3	pieces
4	90° connectors	90°	4	pieces
5	120° connectors	120°	2	pieces
6	180° connectors	180°	12	pieces
7	end cap	3-way	6	pieces
8	— iron sheet	101*10mm 4holes	4	pieces
9	L iron sheet	46*10mm 4holes	8	pieces
10	120° iron sheet	43*43mm 4holes	42	pieces
11	buckles	75mm (option 1)	22	pieces
12	Self drilling screw	M5*10mm	32	pieces
13	countersunk screw	M5*6mm	220	pieces
14	countersunk screw	M4*4mm	12	pieces
15	Plastic expansion bolt	M4-25mm (option 1)	44	pieces
16	Wire	150mm	2	pieces
17	Installation instruction	1	1	pieces

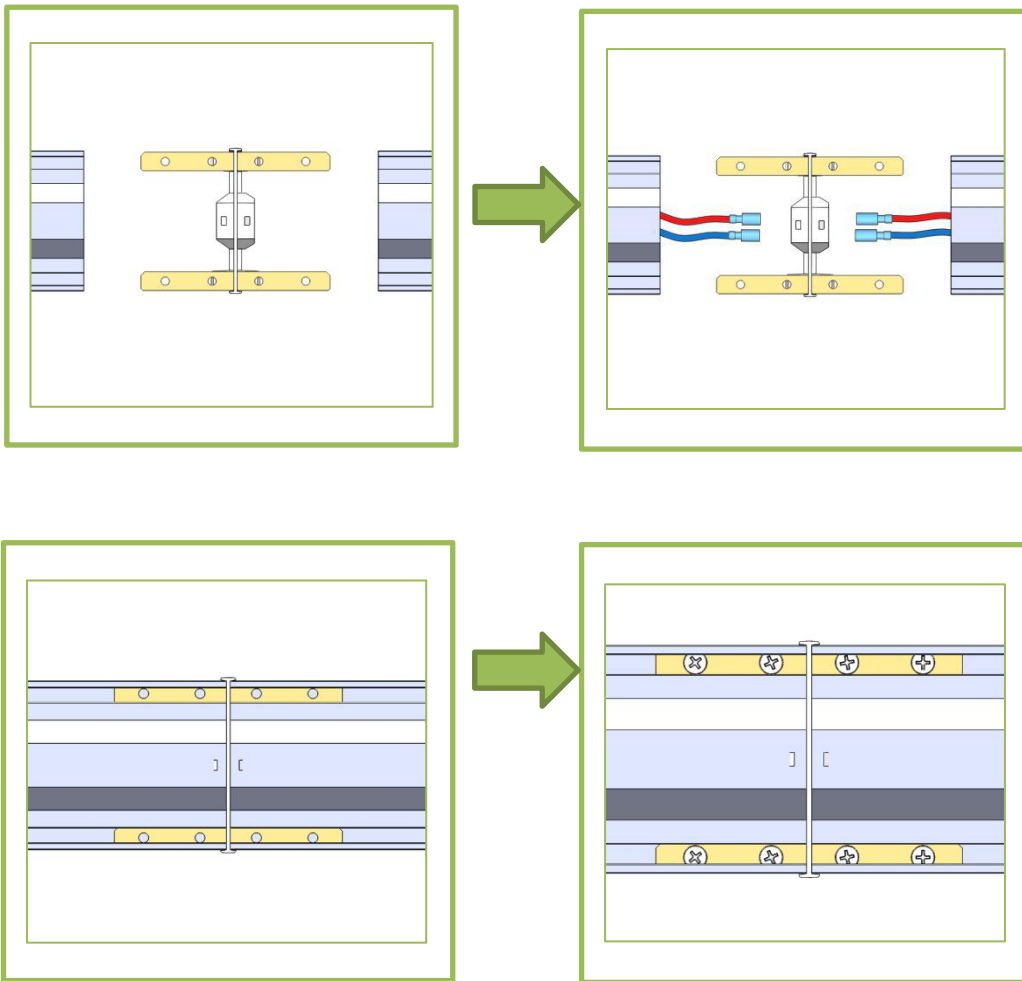
Technical Data

Voltage	AC220V
Power	600W
Current	5.4A
Width	80mm
Luminous Flux	110-120lm/w
CRI.	>90
CCT.	6500K (White)
Material	Aluminium+PVC cover

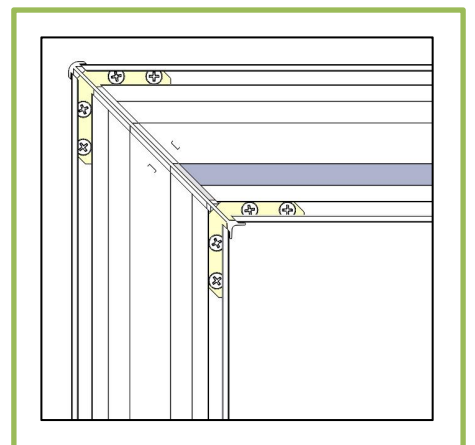
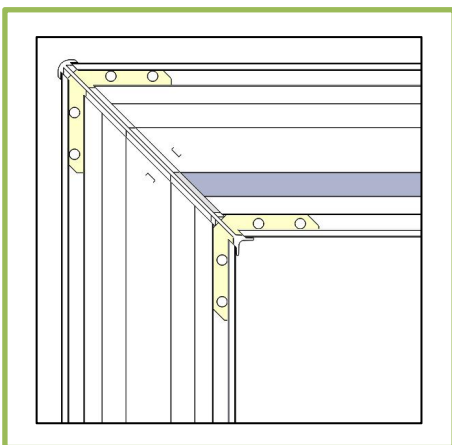
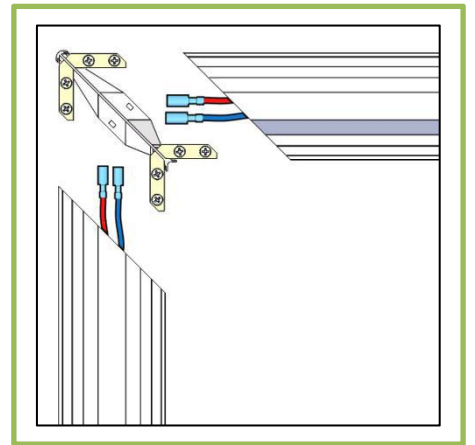
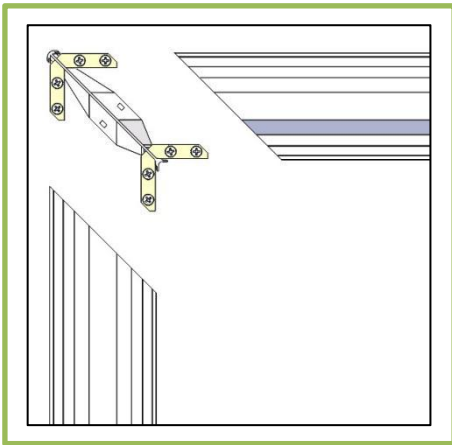
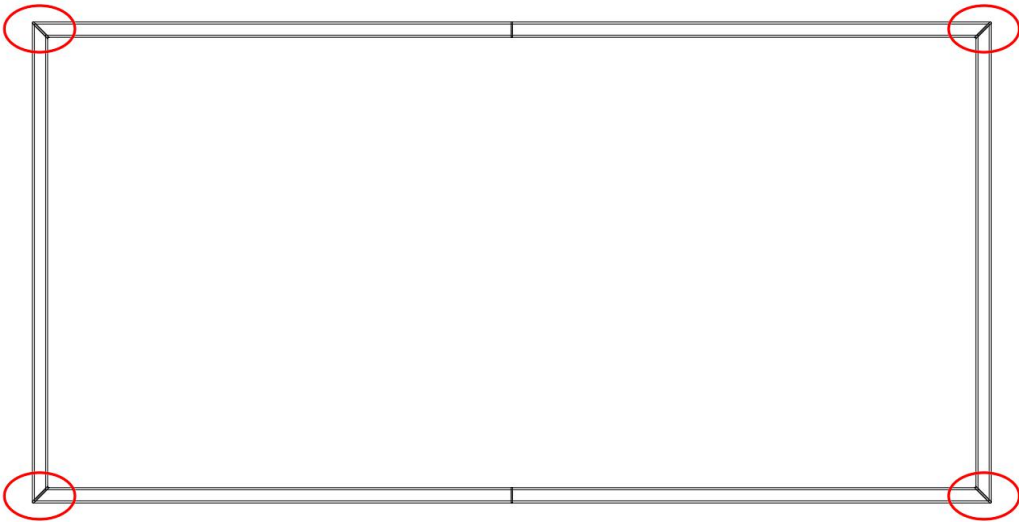
Assembling instruction

Step 1

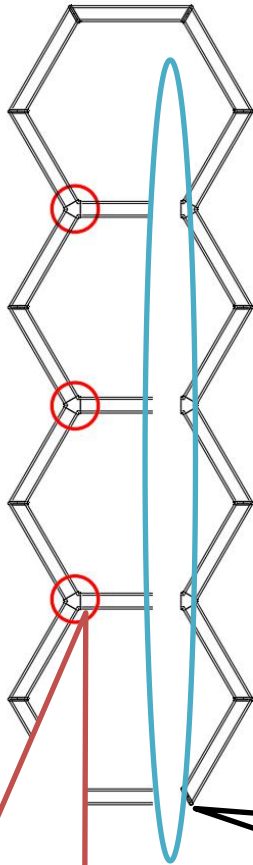
Connect 4 pieces of 1.175m light bars with — iron sheet and 180° connectors, to make 2 pieces of 4.89m light bars.



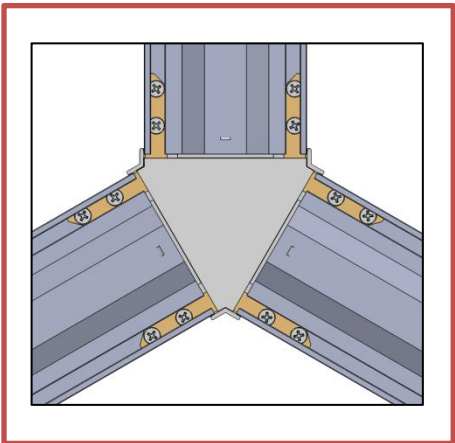
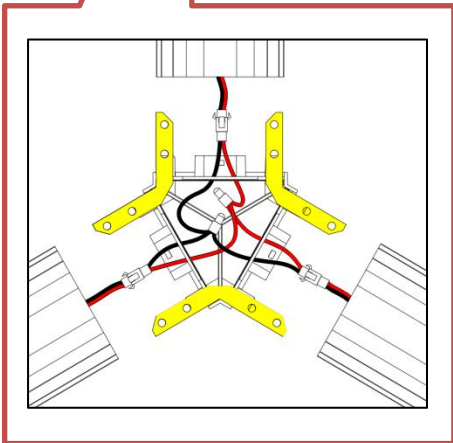
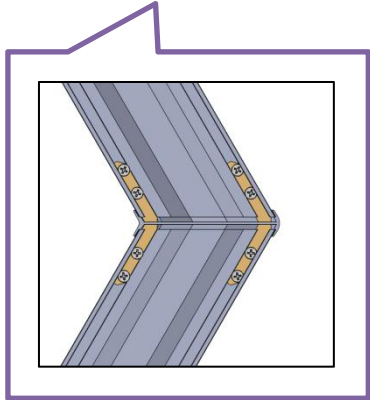
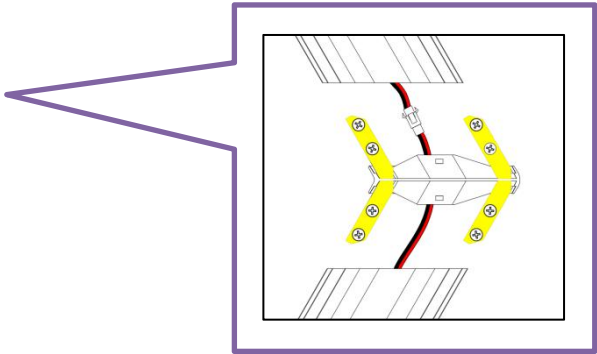
Step 2 Connect 4 pieces of 1.175m light bars as pic:



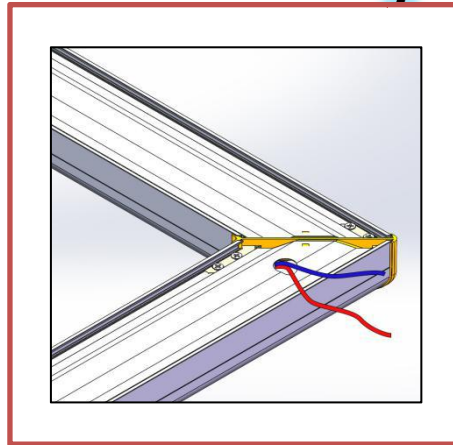
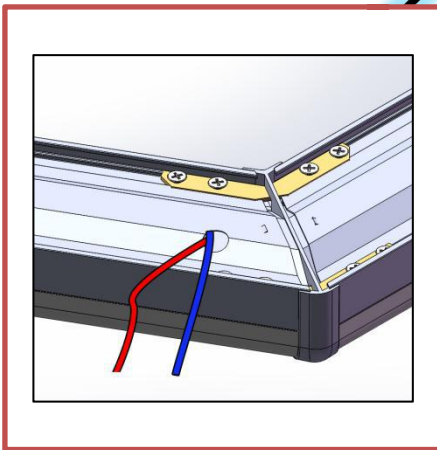
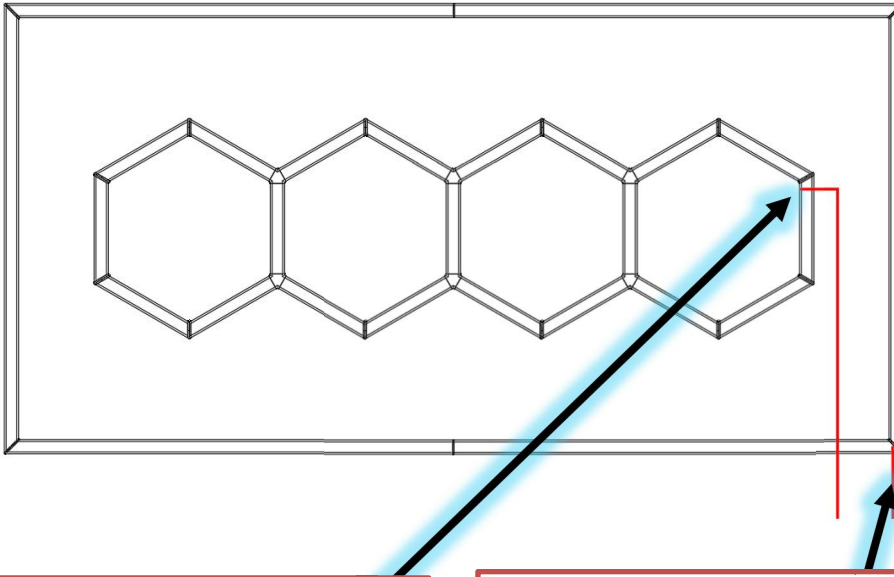
Inner Part:



This part do not connect



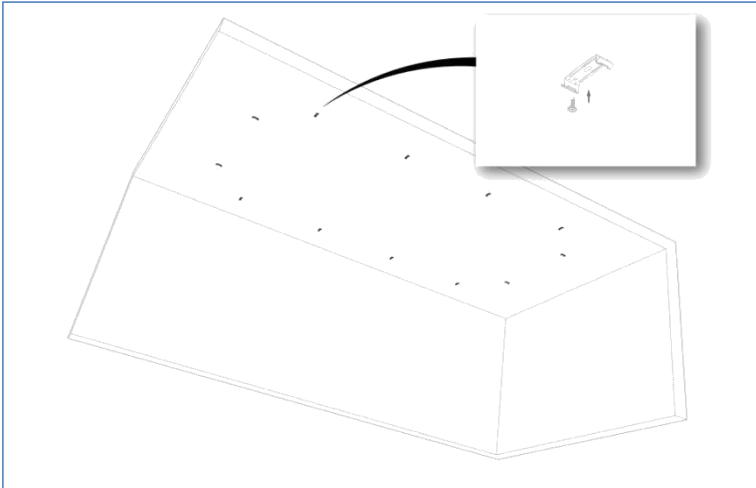
4、 The Wiring



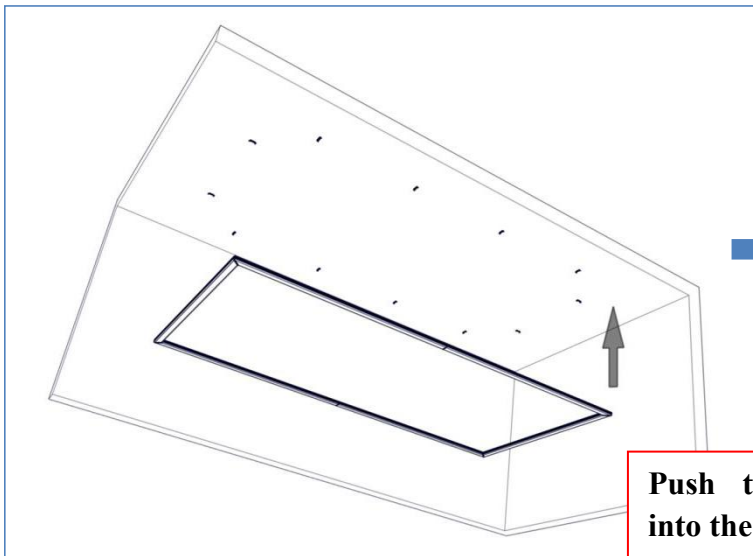
Wiring out to AC 220v

Mounting Instruction

How to install the lamp to the roof.



Drill holes for the plastic expansion bolt, then put the plastic expansion bolt into the holes, and then screw the buckles into the plastic expansion bolt with self-tapping screws.



Push the lamps into the buckles.

