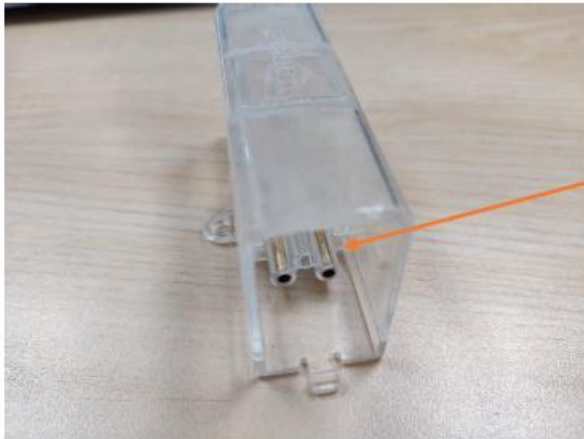




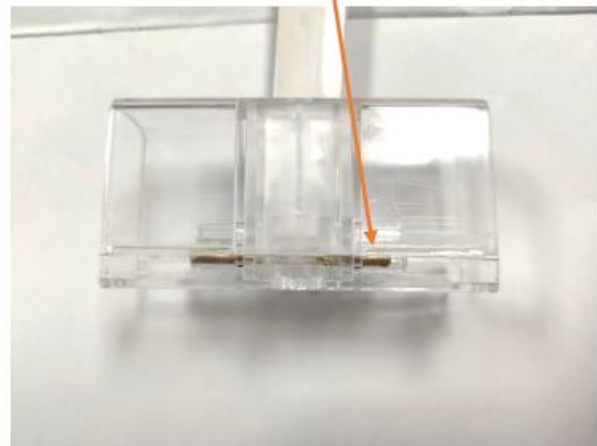
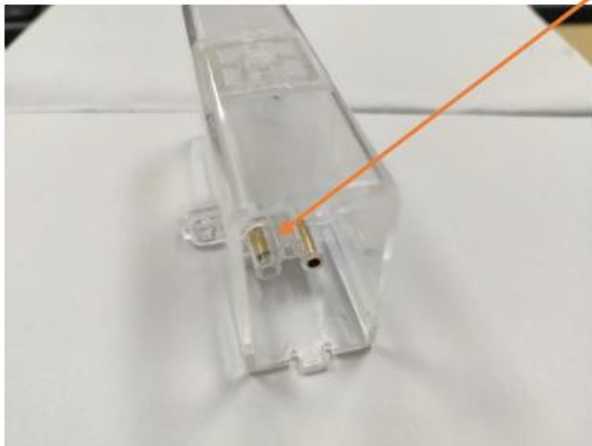
Car Workshop Light Installation Manual

WARNING TIPS



The well-made copper parts

The deformed copper parts
by violence

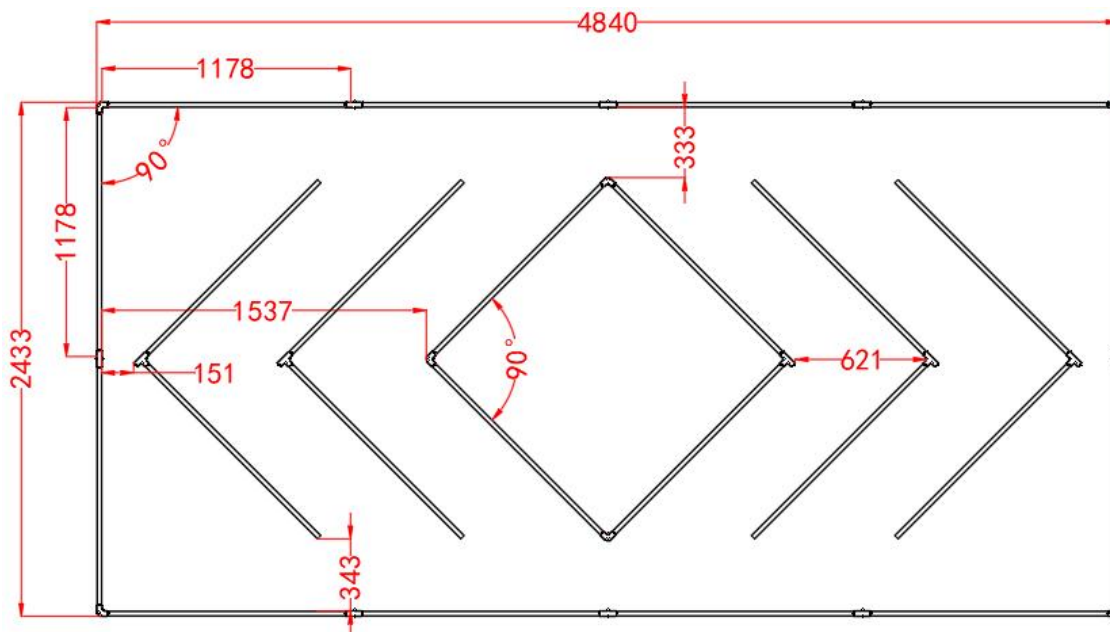


Please do not match the connectors by violence, it would burn the whole set of lamps.

If it does not match the lamps well, please try to joint accurately or change the lamp, do not broken the connectors by violence. It is suggestable to test before powering in by the AVO meter.

GONENGO LED LIGHTING

1.Design sketch (Please carefully read the “Circuit Diagram” before installing)



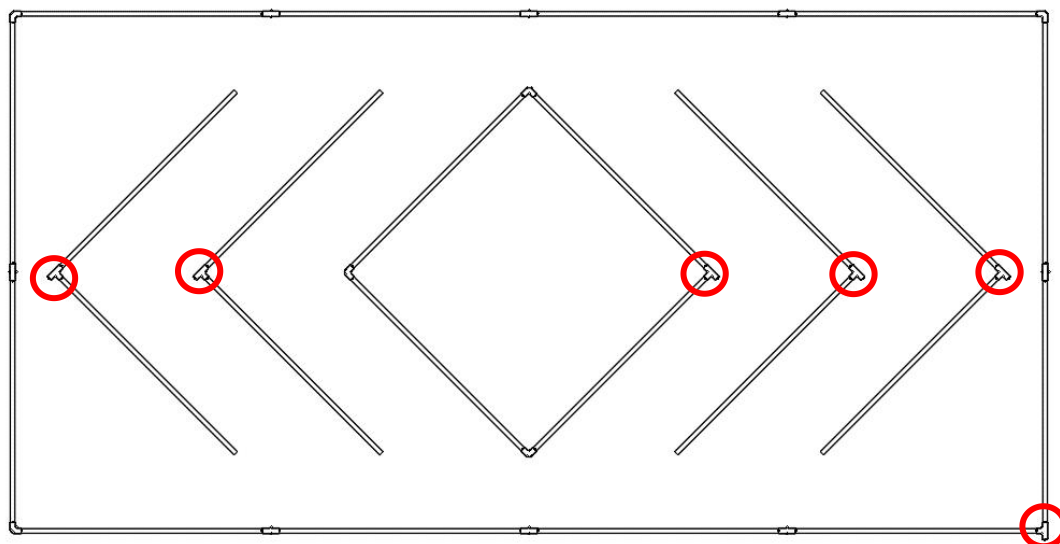
Series	Name	Specification	QTY	Unit	Confirm
1	tubes	L:1175*20mm 16w	24	pieces	
2	connectors	90° connector white	6	pieces	
3	connectors	180° connector white	8	pieces	
4	connectors	T connector white	6	pieces	
5	The cable	1-end	6	pieces	
6	installation instruction	-	1	pieces	

Technical

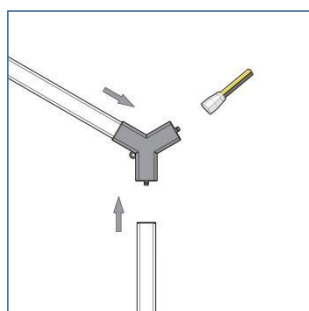
Data

Voltage	AC220V
Power	384W
Current	3.4A

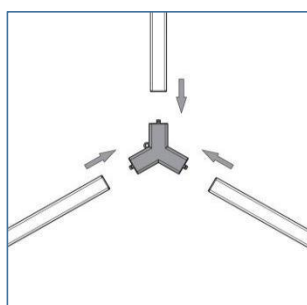
2. Connect the tubes in series as follows;



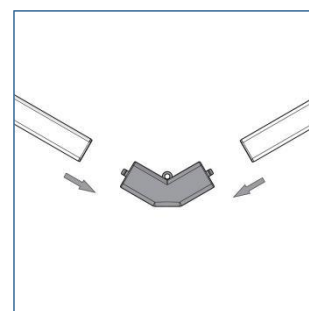
1. The 6  connect as follow picture



2. Other 3-end connection connect as follow picture



3. Other 2-end connection connect as follow picture



CAUTION!!

1. Please be careful while use the light bars connect with the connectors, or it would hurt the copper needle in the connectors;
2. TEST BEFORE PUTTING IT INTO THE CEILING;
3. There is only 6 point for wire connection of the whole structure.

Red—L

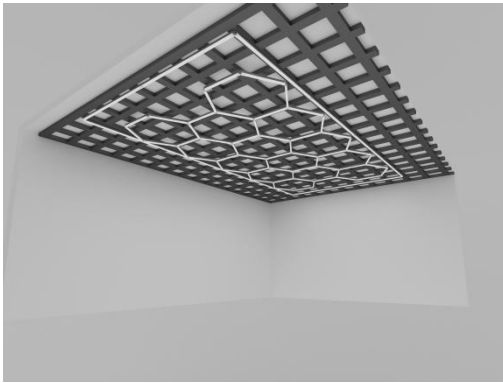
Blue—N

Yellow—E

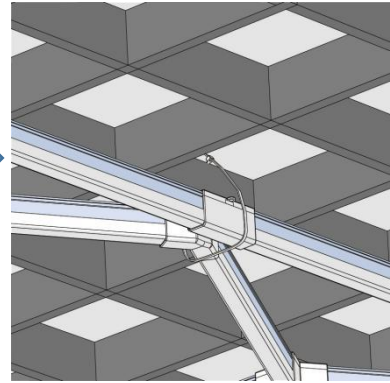
GONENGO LED LIGHTING

2. How to install it on the ceiling.

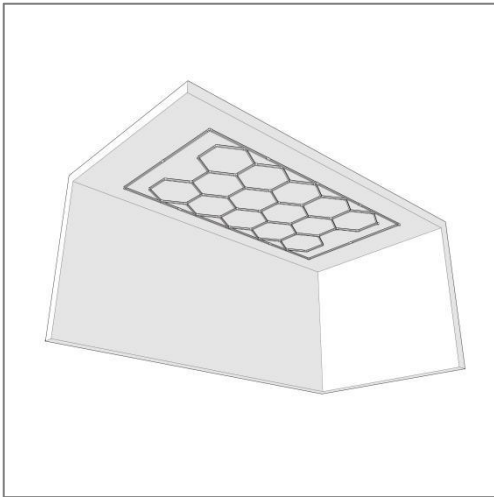
A grid roof



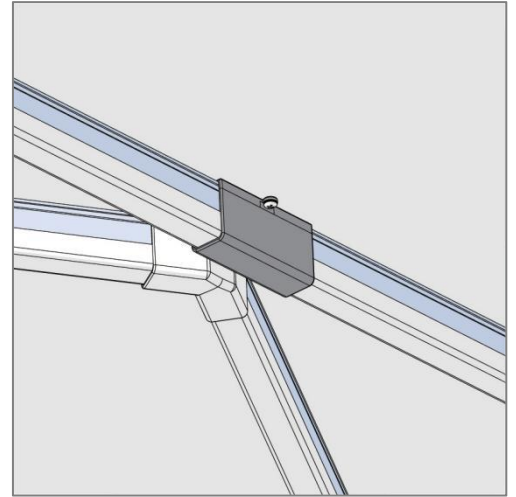
Tie it with ribbons



B flat roof



Screw the connector from the hole to the ceiling directly



Remarks:

1. There should be 6 wires out to connect with 220V;
2. Please install by professional electrician;