

# Car Workshop Light Installation Manuel

**Model: ZT2038**

# WARNING!!!

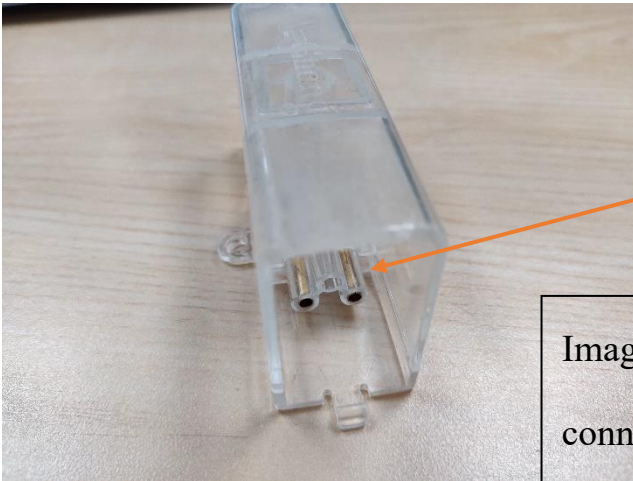
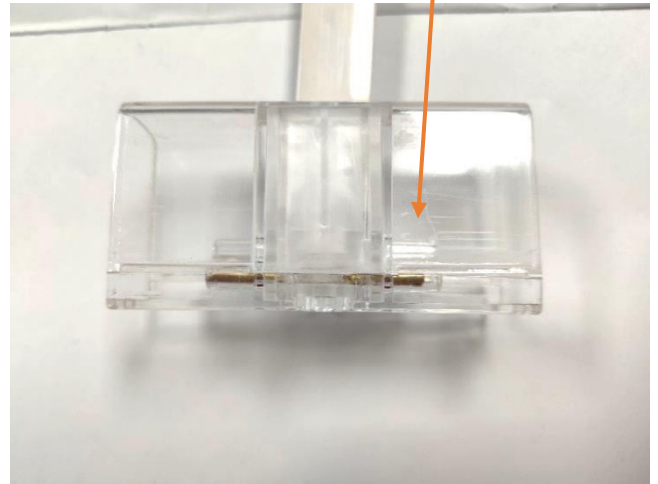
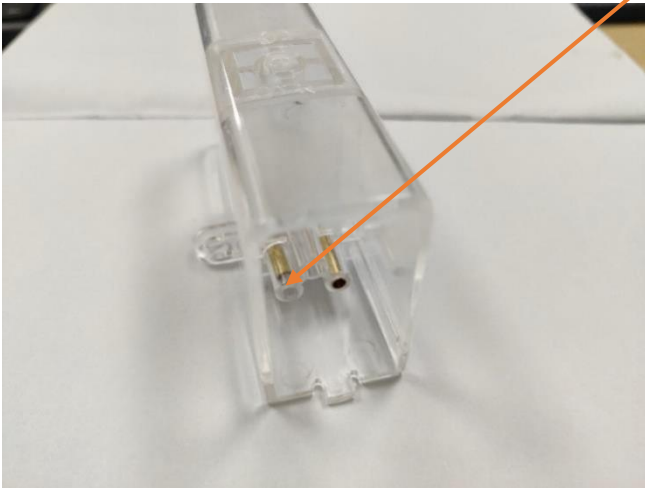


Image 1 shows how the copper connectors are supposed to look.

Image 2 and Image 3 show damaged copper connectors, which happens when the units are pushed together with excessive force.



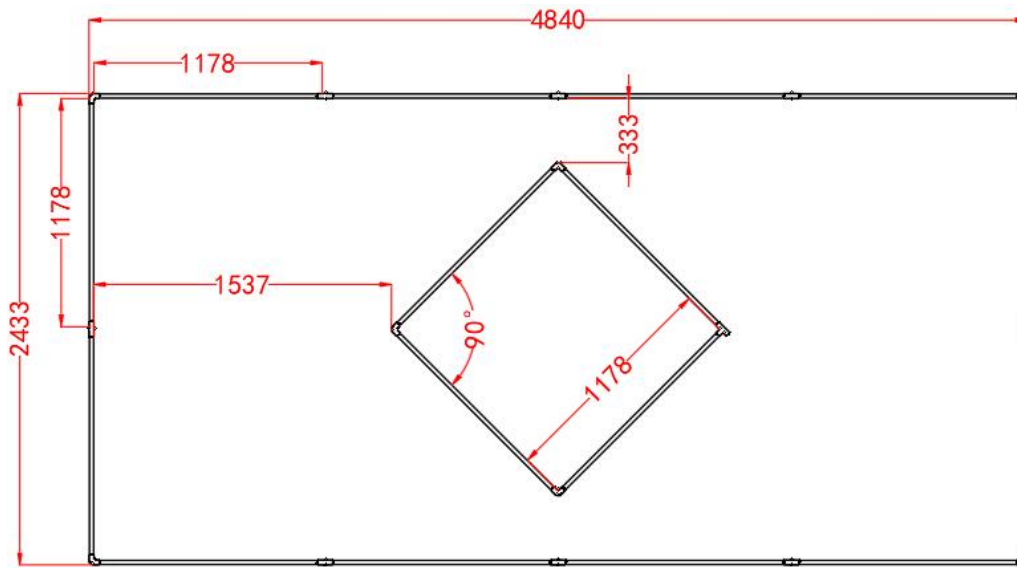
If two units do not seem to fit together easily, double check that the connectors are accurately lined up or try using a different lamp. Do not force the connection.

Test the entire light set with a multimeter before hooking up to an electrical source and before mounting to the ceiling.

**It is recommended to completely read this manual before assembling the product.**

## Design sketch

(Please carefully read the “Circuit Diagram” before assembling)



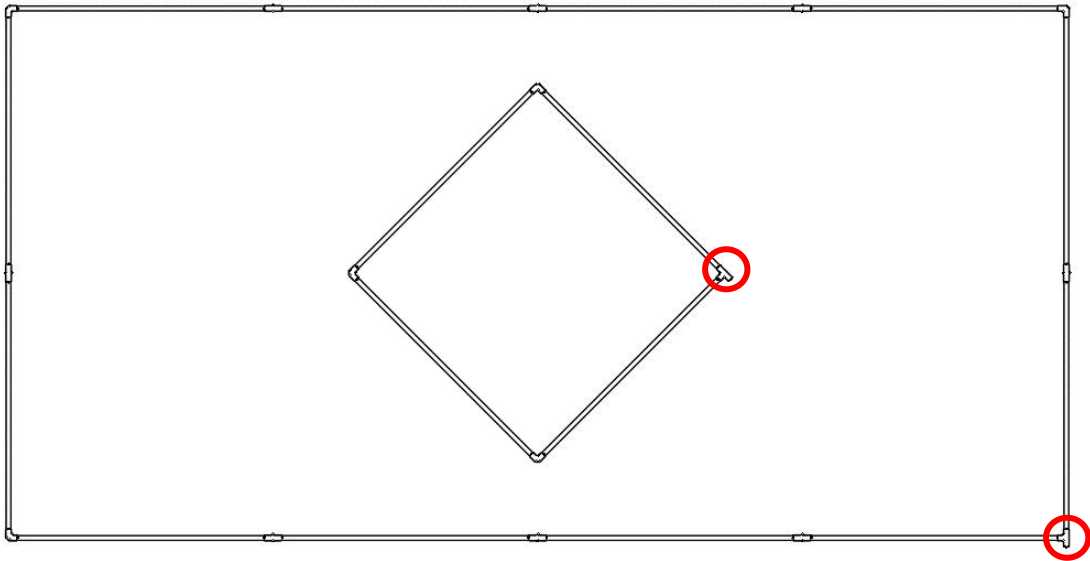
## Parts List

No.	Name	Specification	QTY	Unit	PIC
1	tubes	Size: 1175*20mm Power: 16w	16	pieces	
2	connectors	90° 2-way white	6	pieces	
3	connectors	180° 2-way white	8	pieces	
4	connectors	T-shaped 3-way white	2	pieces	
5	The cable	1-end	2	pieces	
6	installation instruction	-	1	pieces	

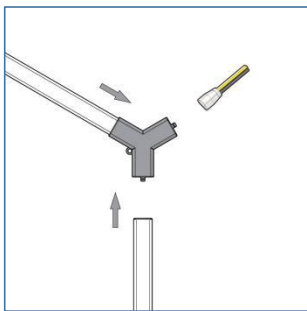
## Technical Data

Voltage	AC220V
Power	256W
Current	2.3A

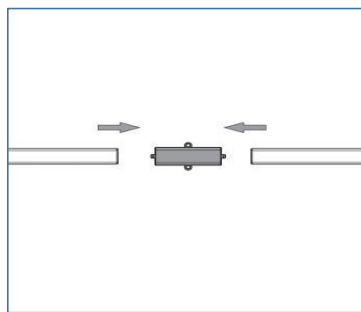
2. Connect the tubes in series as follows;



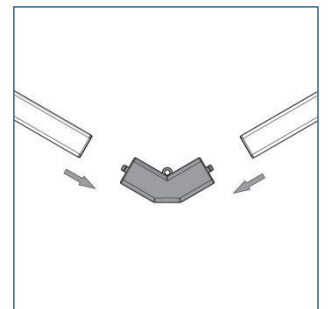
1. The 2  connect as follow picture



The 180° connectors connect as follow picture



3. Other 2-end connection connect as follow picture



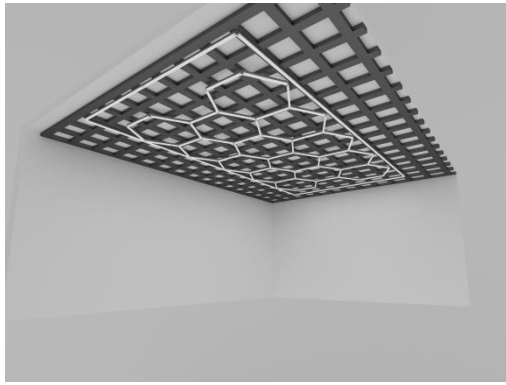
**CAUTION!!**

1. Please be careful while use the light bars connect with the connectors, or it would hurt the copper needle in the connectors;
2. TEST BEFORE PUTTING IT INTO THE CEILING;
3. There is only 2 point for wire connection of the whole structure.

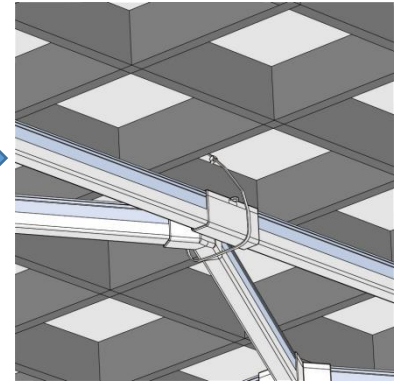
Red—L  
Blue—N  
Yellow—E

2. How to install it on the ceiling.

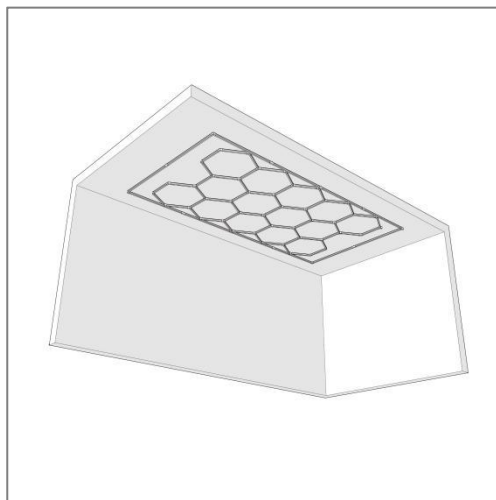
A grid roof



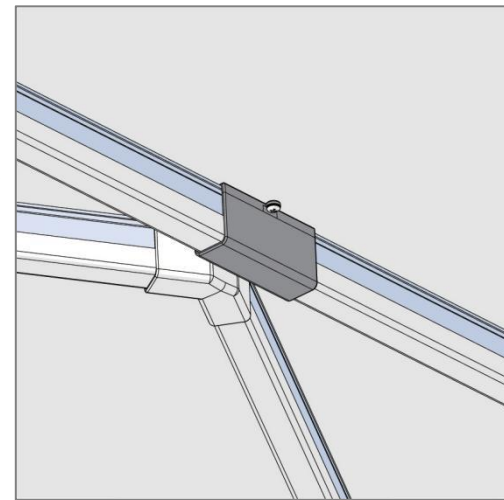
Tie it with ribbons



B flat roof



Screw the connector from the hole to the ceiling directly



**Remarks:**

1. There should be 2 wires out to connect with 220V;
2. Please install by professional electrician;