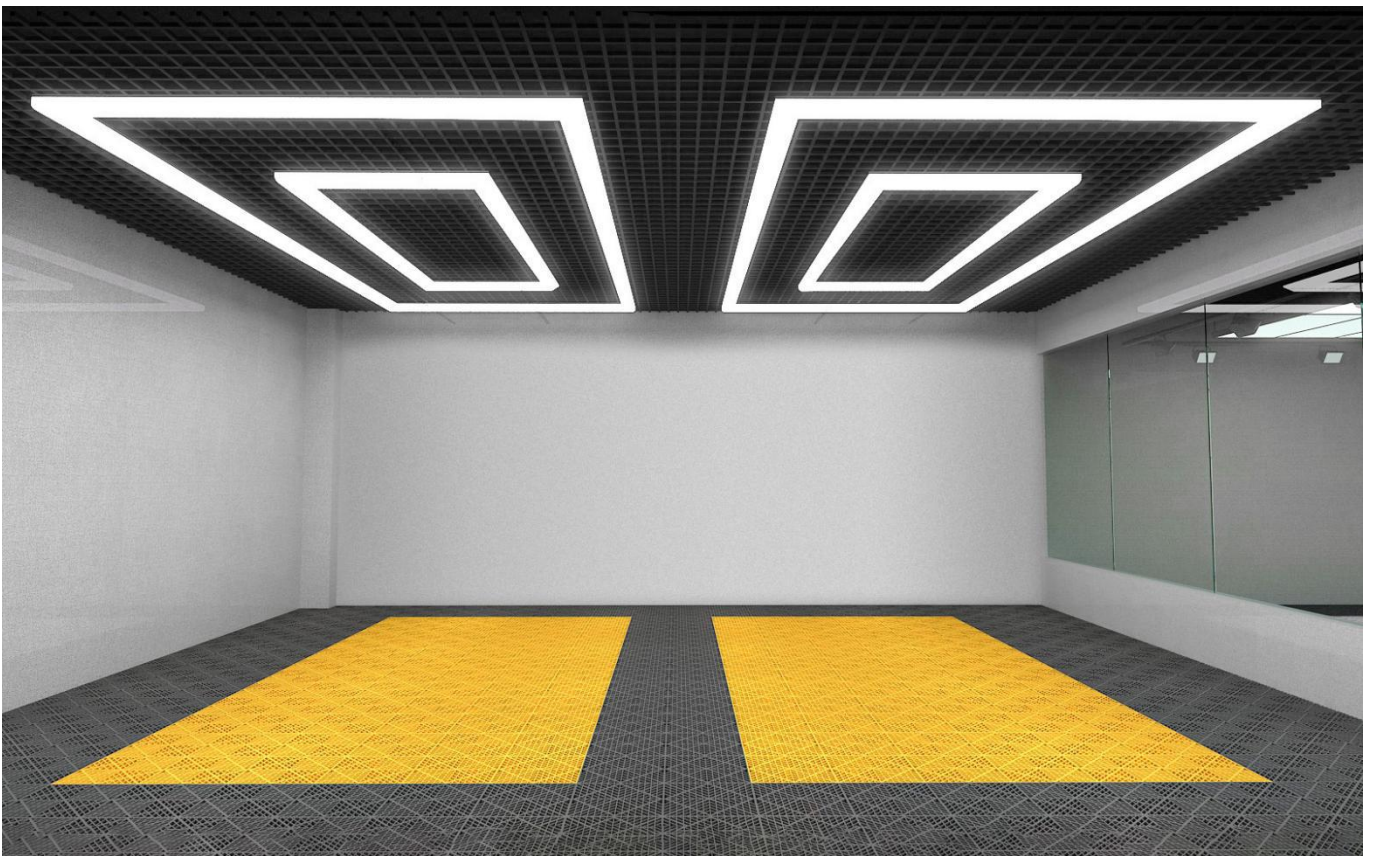


Installation Instruction



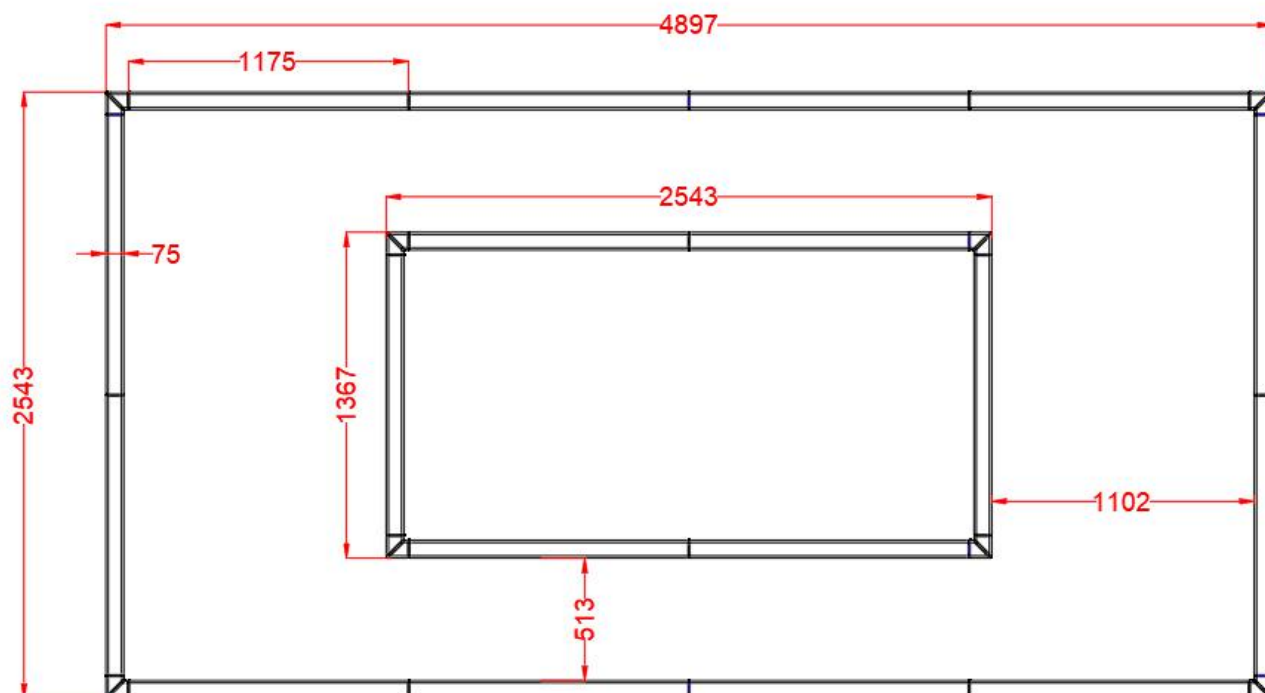
Only for reference! Please read this manual before assembling this product, and keep this for subsequent .

TEST BEFORE PUTTING IT INTO THE CEILING!

Contents

1. Design Sketch.....	2
2. Parts List.....	2
3. Technical data.....	3
4. Assembling Instruction.....	3
5. Circuit Diagram.....	5
6. Mounting Instruction.....	6

Design sketch



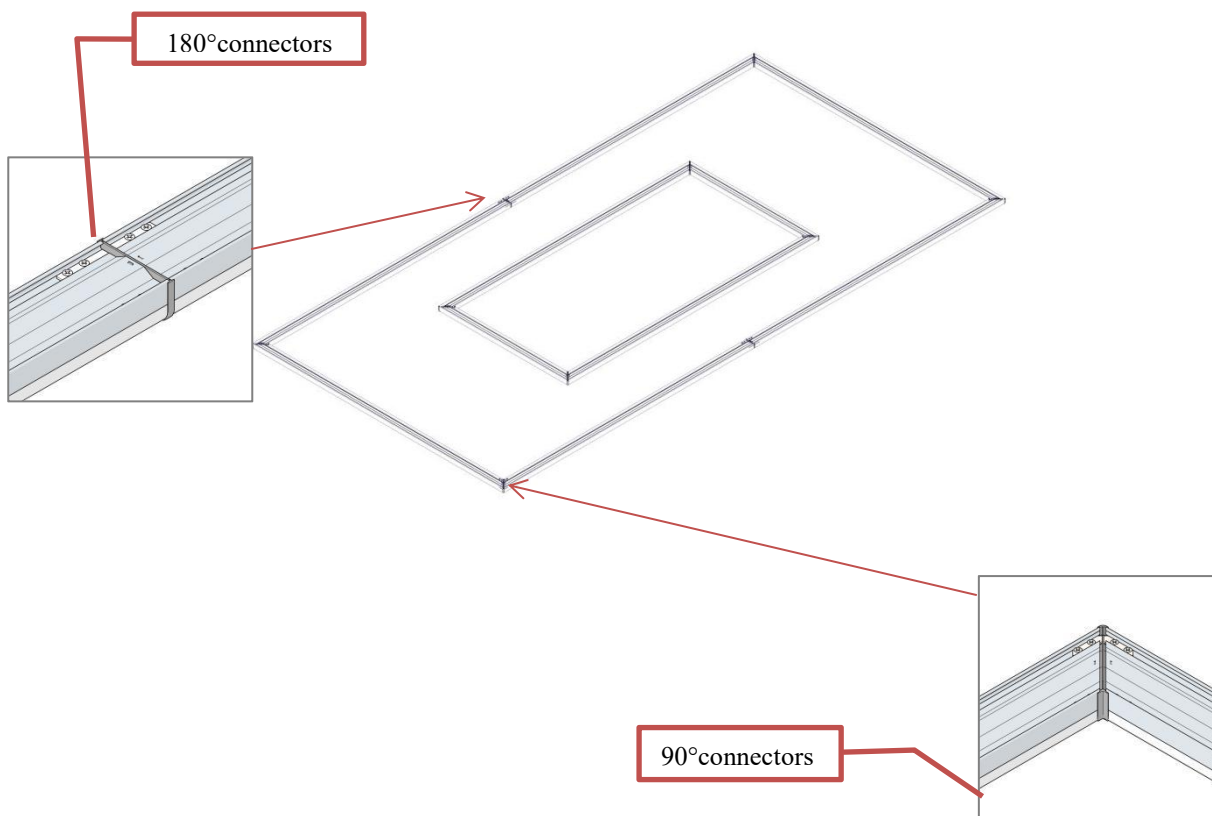
Parts List

No.	Name	Specification	Quantity	Unit
1	light bars	1.175m	18	pieces
2	90° connectors	90°	8	pieces
3	180° connectors	180°	10	pieces
4	— iron sheet	101*10mm 4holes	20	pieces
5	L iron sheet	46*10mm 4holes	16	pieces
6	buckles	75mm (option 1)	18	pieces
7	Led Driver	400W /DC 24V	3	pieces
8	Led driver mounting	Fix the led driver on the lamps	6	pieces
9	Self drilling screw	M5*10mm	36	pieces
10	countersunk screw	M5*6mm	165	pieces
11	countersunk screw	M4*4mm	12	pieces
12	Plastic expansion bolt	M4-25mm (option 1)	36	pieces
13	Wire	150mm	2	pieces
14	Installation instruction	1	1	pieces

Technical Data

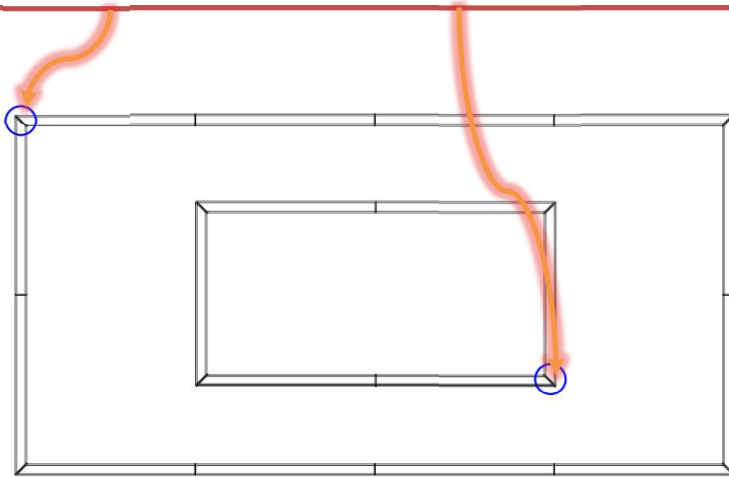
Voltage	AC110V
Power	567W
Current	10.4A
Width	80mm
Luminous Flux	110-120lm/w
CRI.	>90
CCT.	6500K (White)
Material	Aluminium+PVC cover

Assembling instruction

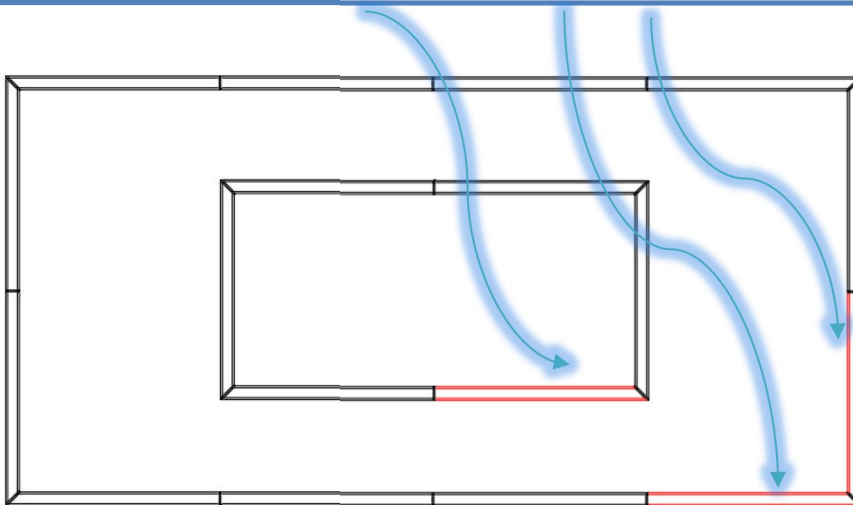


Attention:

Connect light bars with connectors, and screw it with countersunk screws.

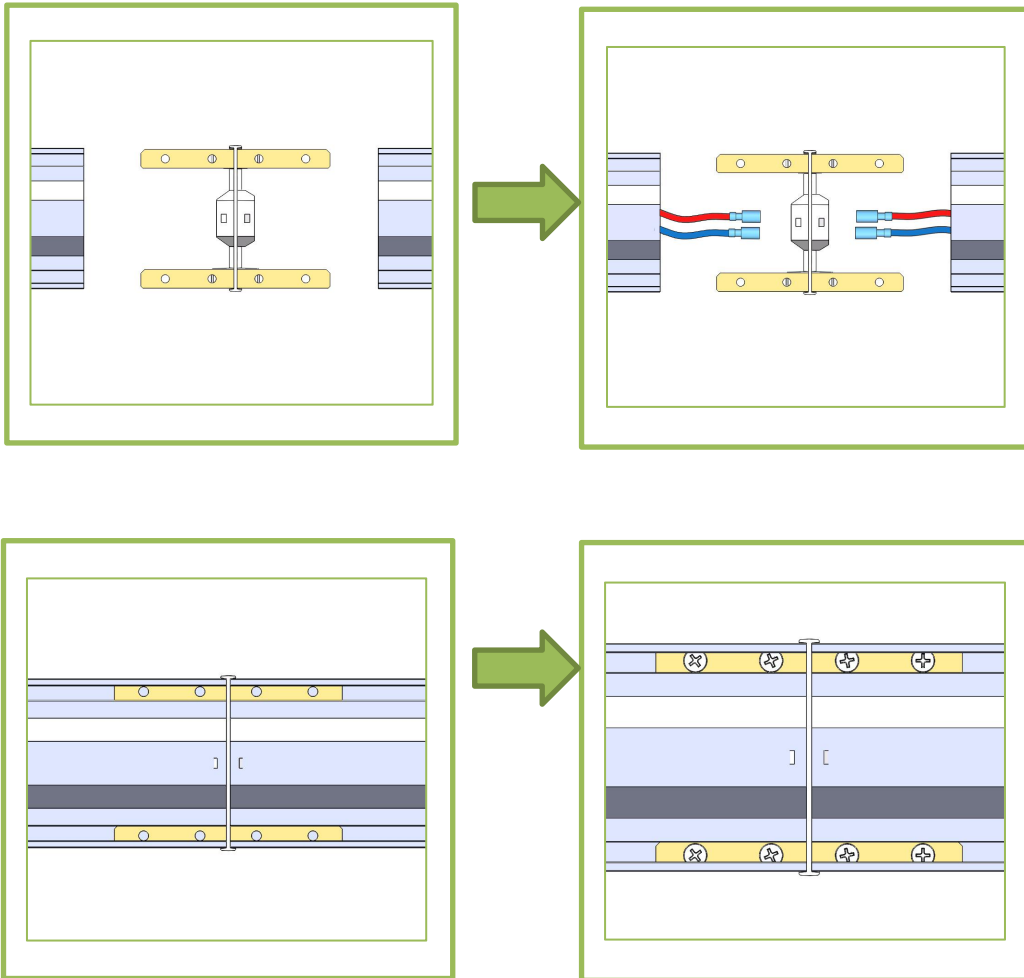


The 3 wire out light bar

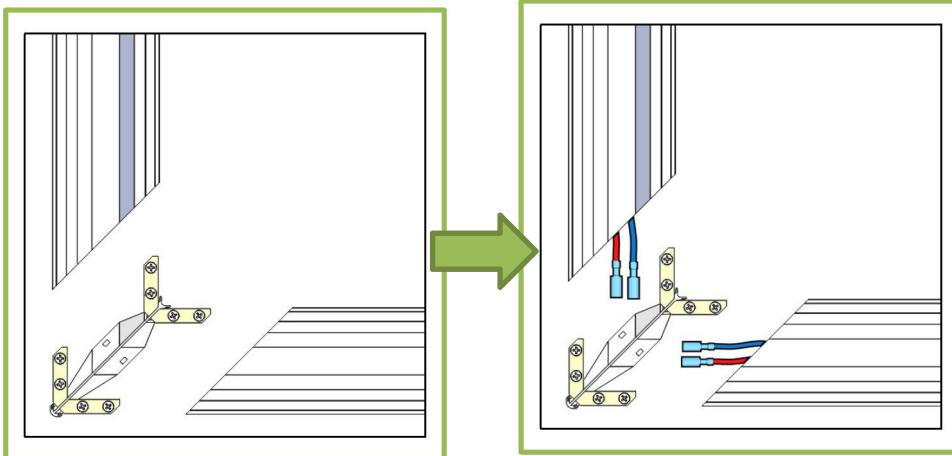
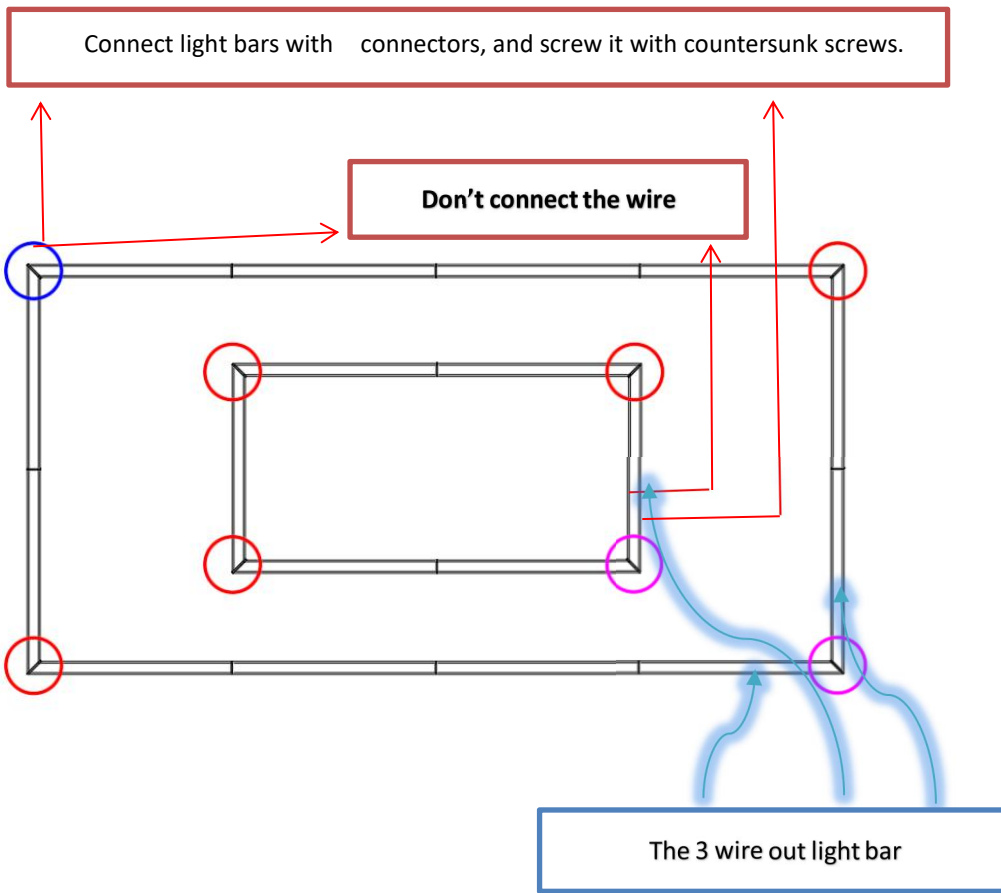


Step 1

Connect 4 pieces of 1.175m light bars with — iron sheet and 180° connectors, to make 2 pieces of 4.89m light bars.



Step 2



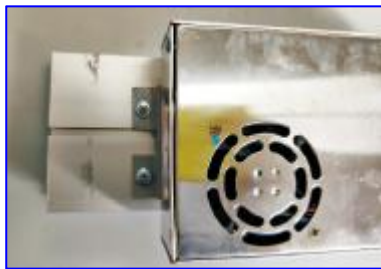
Caution!!!

Please use the appropriate screws to avoid destroying the drivers!

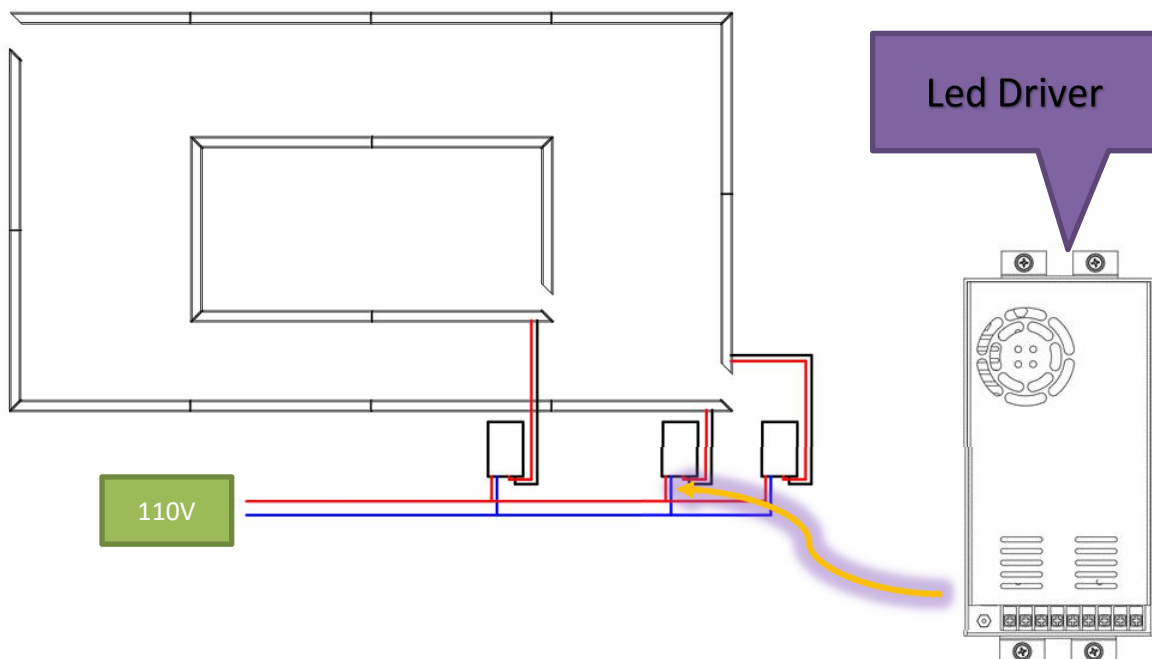
A screw the led driver mounting with countersunk screws;



B screw the led driver mounting on the lamps with cushioned screws;

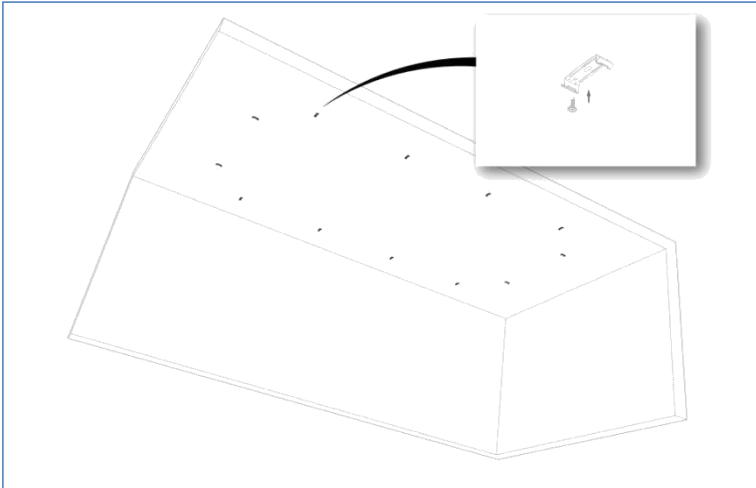


Circuit Diagram

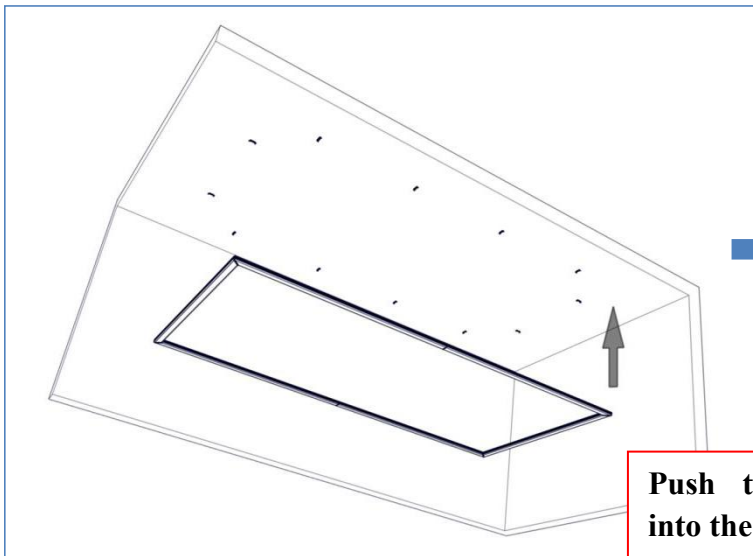


Mounting Instruction

How to install the lamp to the roof.



Drill holes for the plastic expansion bolt, then put the plastic expansion bolt into the holes, and then screw the buckles into the plastic expansion bolt with self-tapping screws.



Push the lamps into the buckles.

