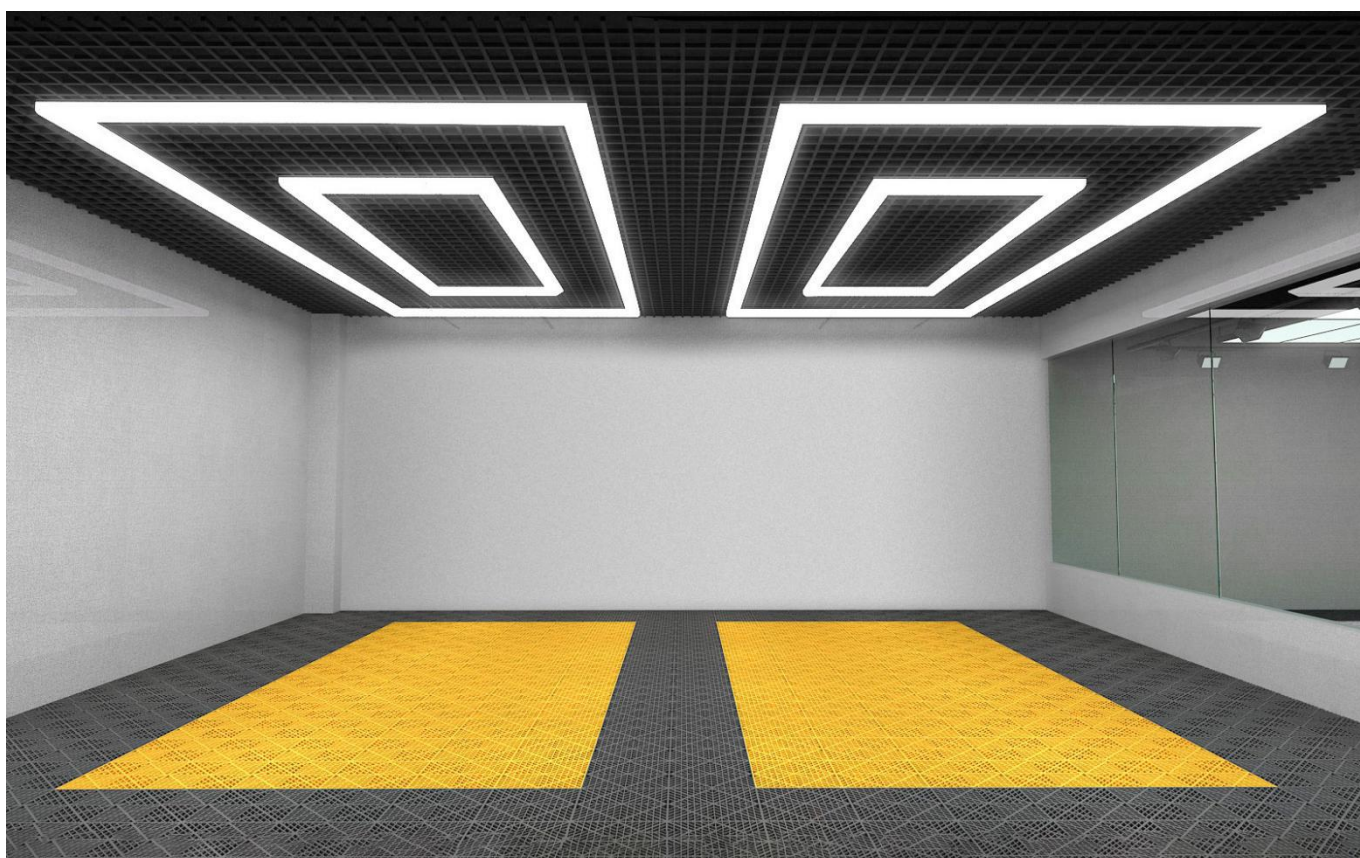
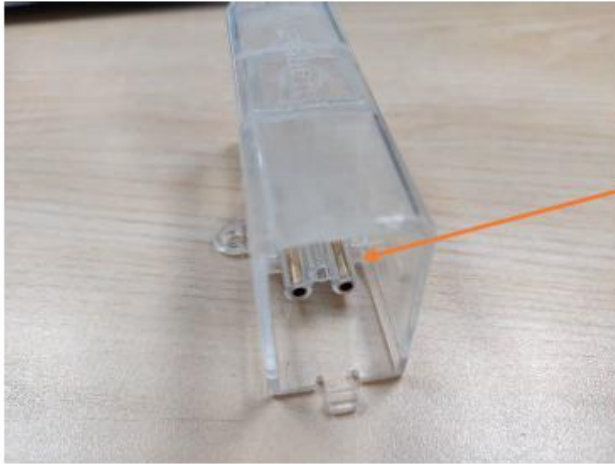


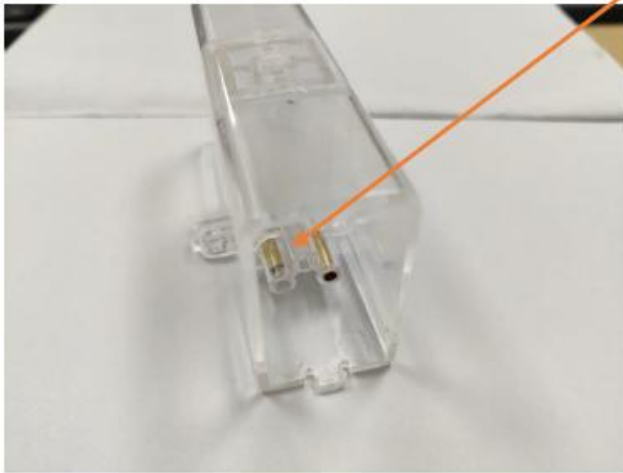
Installation Instruction



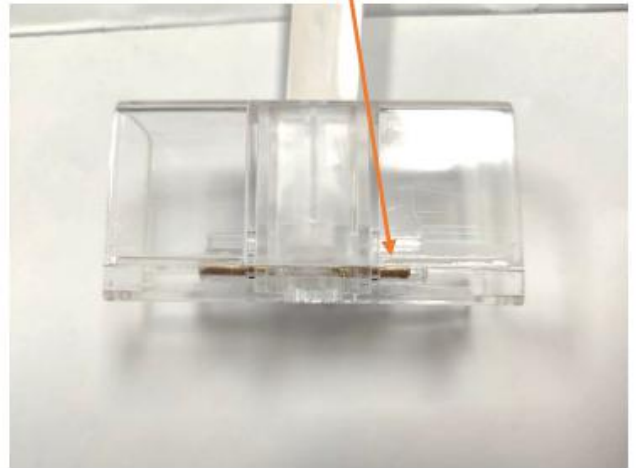
WARNING TIPS



The well-made copper parts

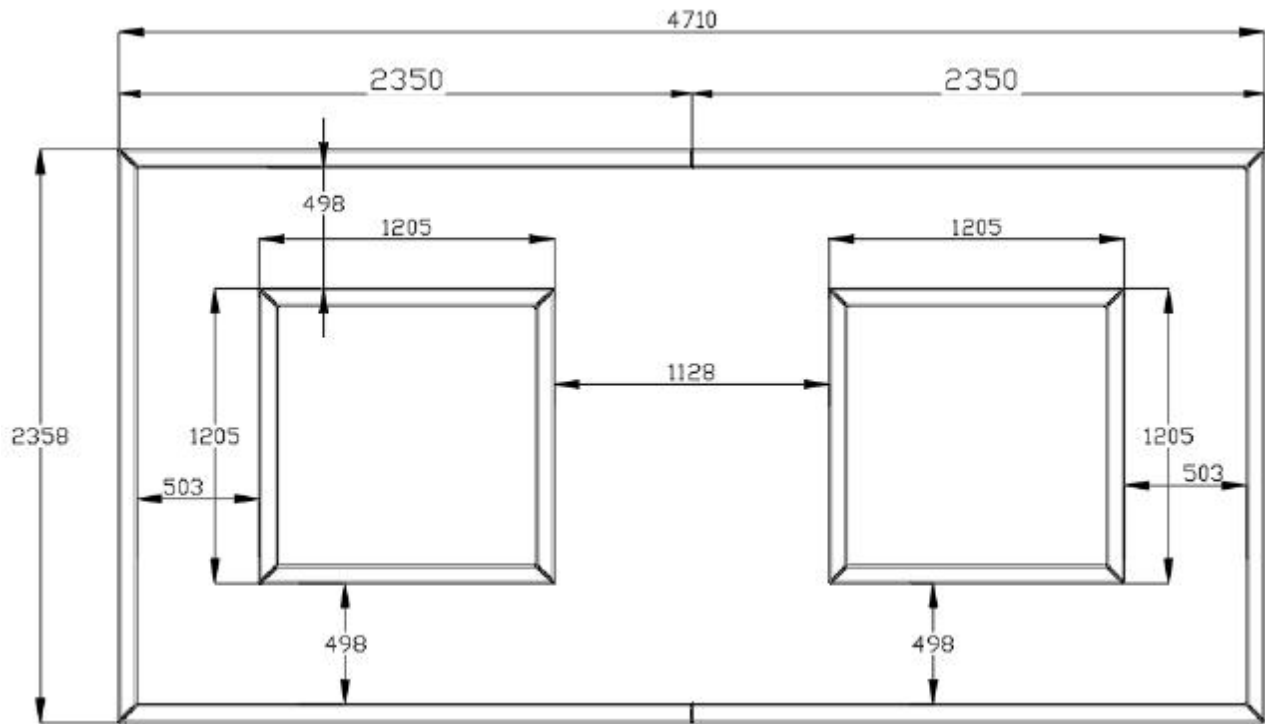


The deformed copper parts
by violence



Please do not match the connectors by violence, it would burn the whole set of lamps.

If it does not match the lamps well, please try to joint accurately or change the lamp, do not broken the connectors by violence. It is suggestable to test before powering in by the AVO meter.



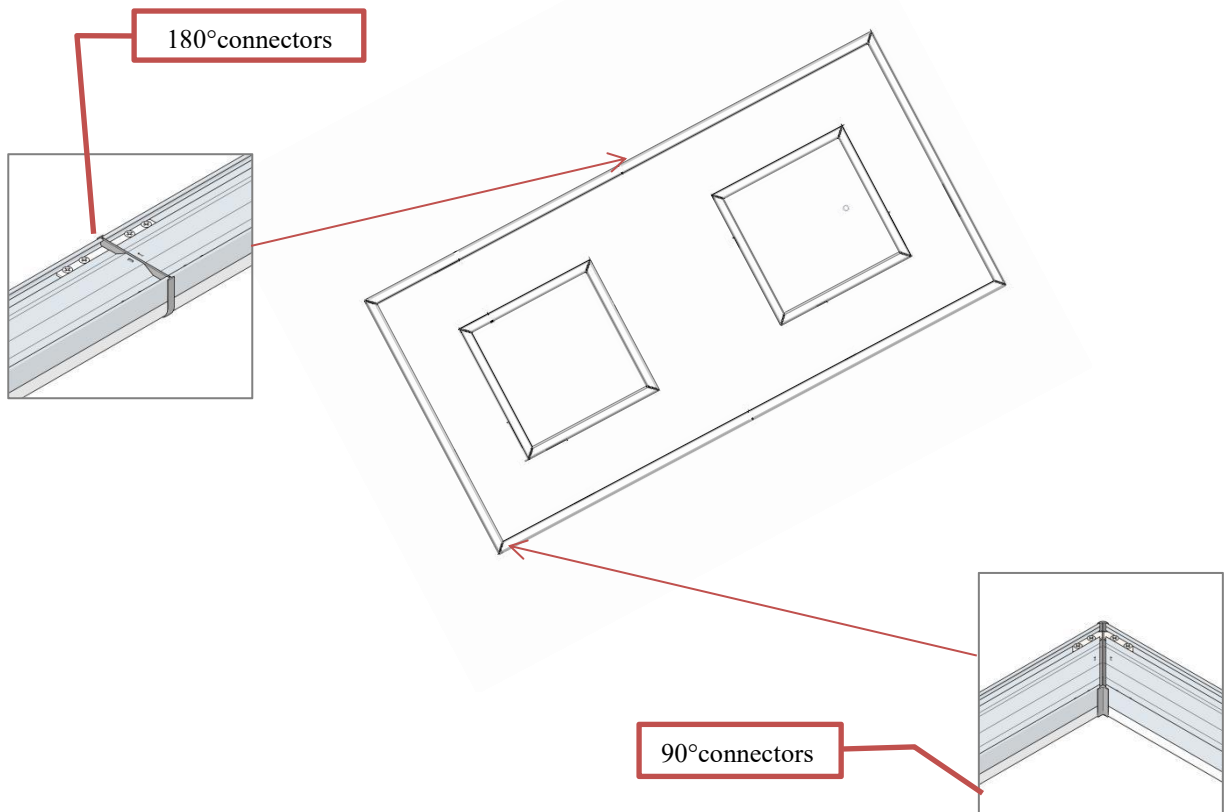
Parts List

No.	Name	Specification	Quantity	Unit
1	light bars	2.35m	6	pieces
2	light bars	1.205m	8	pieces
3	180° connectors	180°	2	pieces
4	90° connectors	90°	12	pieces
5	— iron sheet	101*10mm 4holes	4	pieces
6	L iron sheet	42*42*10mm 4holes	24	pieces
7	buckles	75mm (option 1)	28	pieces
8	Bridge Ceiling Bracket	100mm	14	pieces
9	Self drilling screw	M5*10mm	28	pieces
10	countersunk screw	M5*4mm	115	pieces
11	Plastic expansion bolt	M4*25mm	56	pieces
12	Installation instruction	1	1	pieces

Technical Data

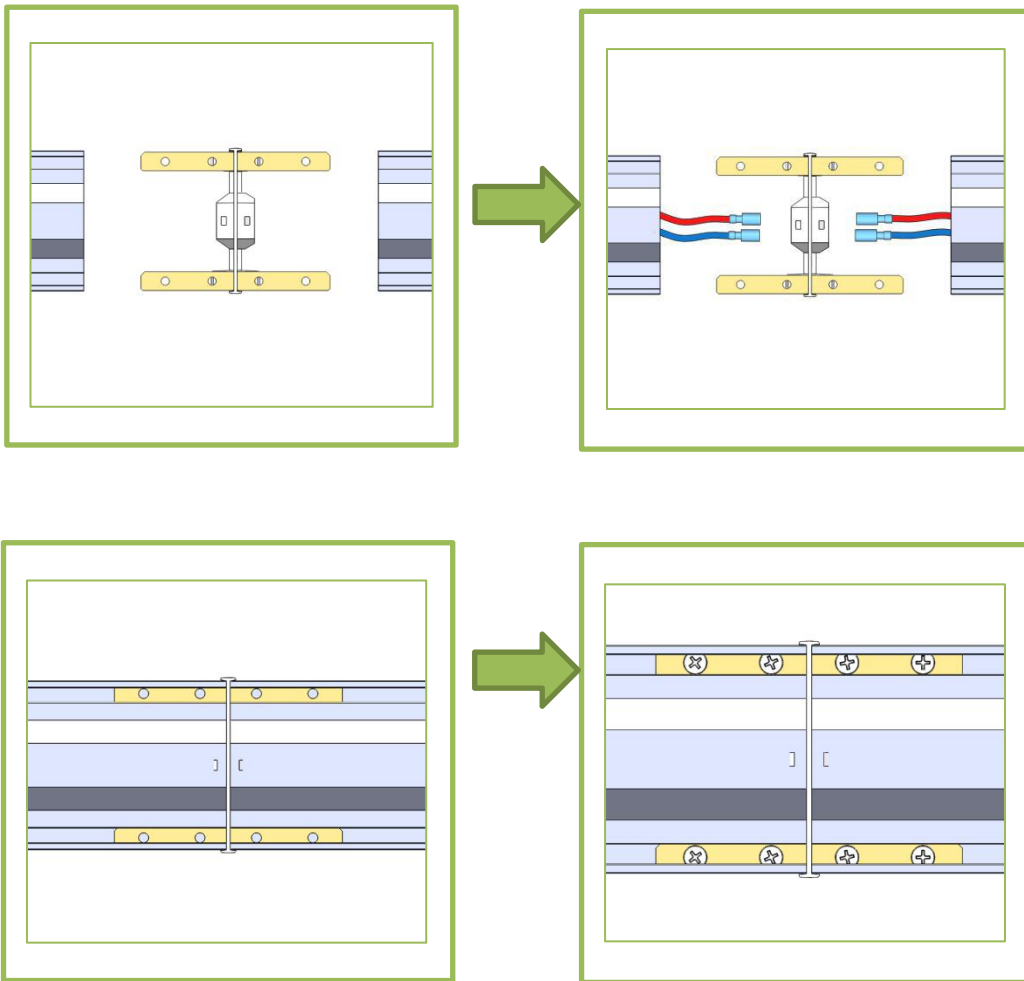
Voltage	AC200-240V
Power	720W
Current	4.5A
Width	2350*4710mm
Luminous Flux	200-240lm/w
CRI.	≥80Ra
CCT.	6500K (White)
Material	Aluminium+PVC cover

Assembling instruction



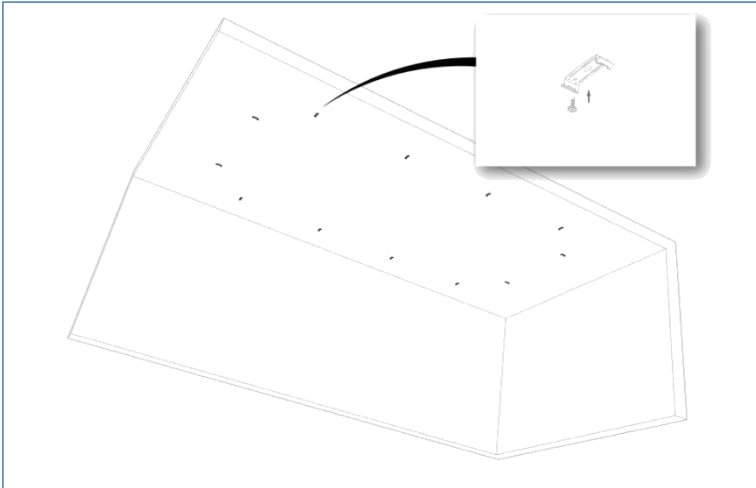
Step 1

Connect 2 pieces of 2.35m light bars with — iron sheet and 180° connectors, to make 2 pieces of 4.71m light bars.

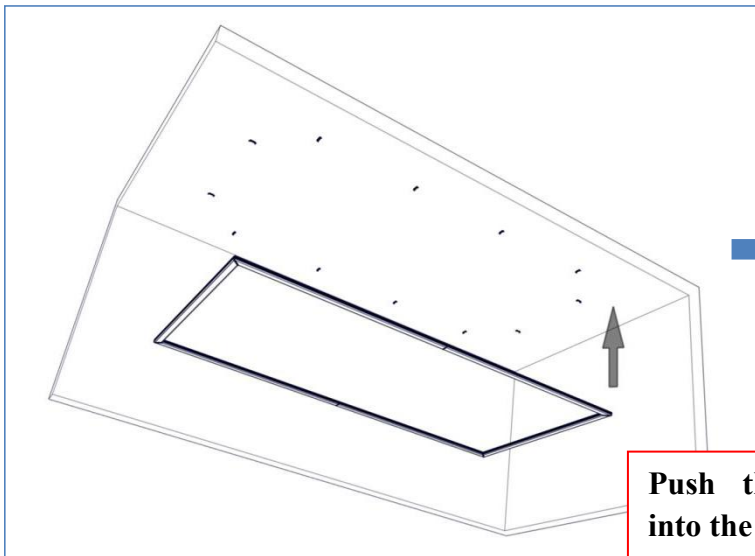


Mounting Instruction

How to install the lamp to the roof.



Drill holes for the plastic expansion bolt, then put the plastic expansion bolt into the holes, and then screw the buckles into the plastic expansion bolt with self-tapping screws.



Push the lamps into the buckles.

