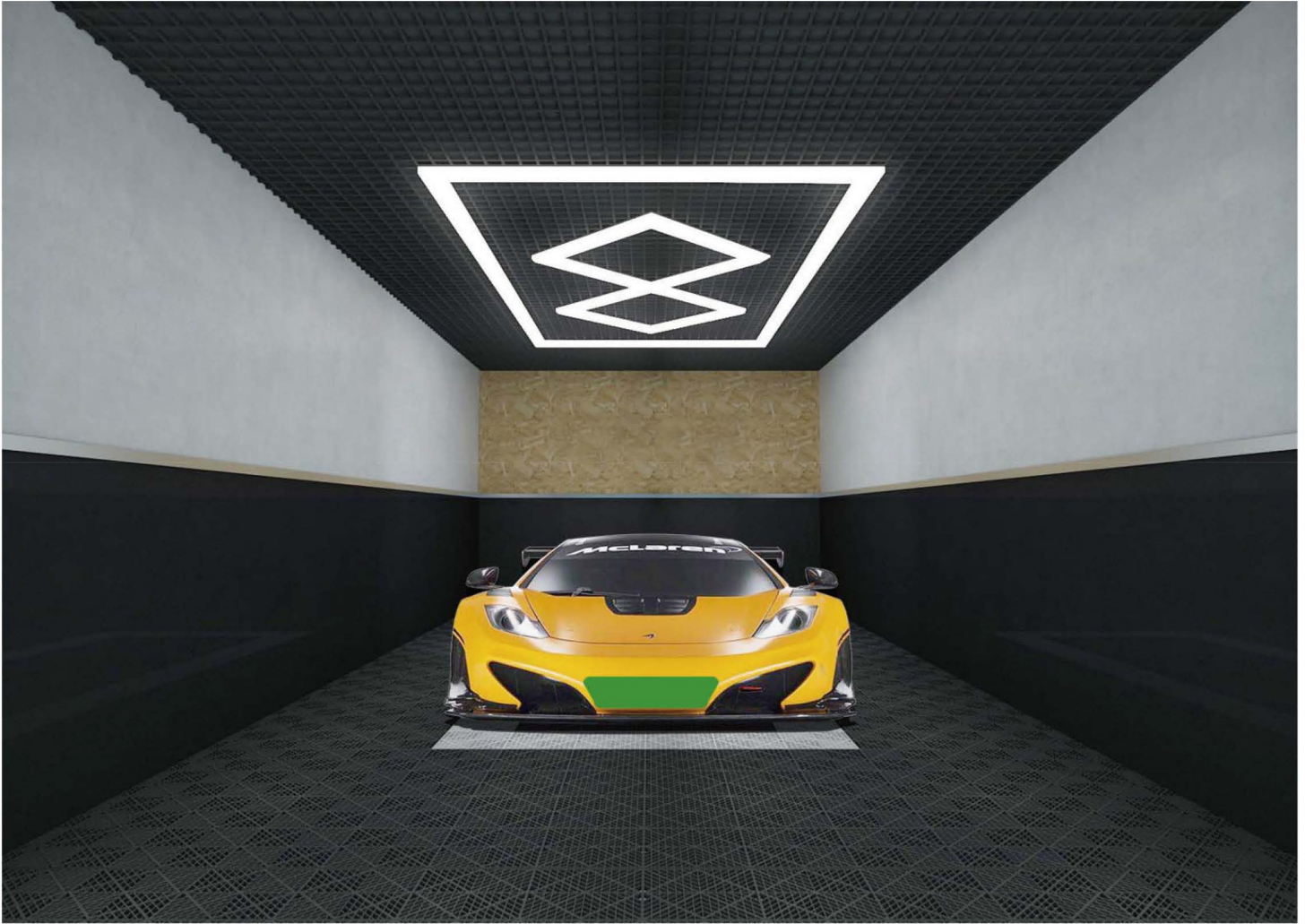


Installation Instruction

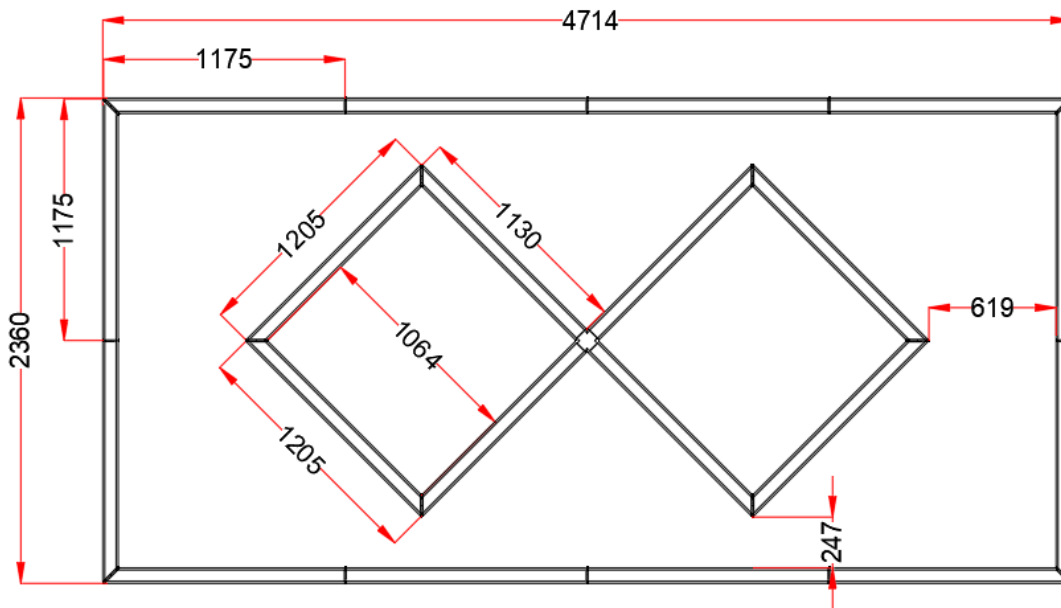
ZT5078



Only for reference! Please read this manual before assembling this product, and keep this for subsequent .

TEST BEFORE PUTTING IT INTO THE CEILING!

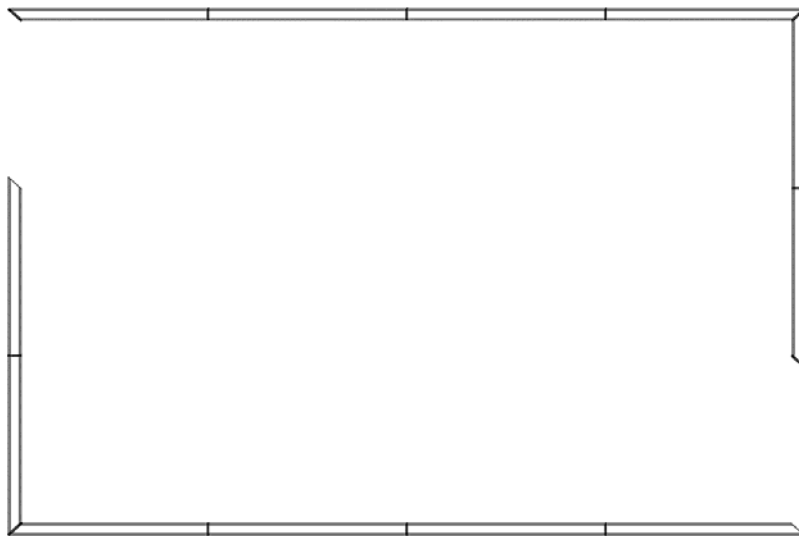
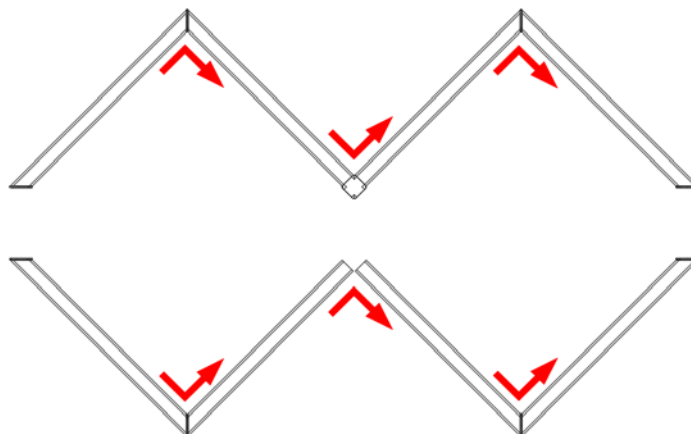
1.Design sketch (Please carefully read the “Circuit Diagram” before installing)



Series	Name	Specification	QTY	Unit
1	light bars	1175mm	12	pieces
2	light bars	1130mm	4	pieces
3	light bars	1205mm	4	pieces
4	Led driver	400W	3	pieces
8	Stator for driver	With crews	6	pieces
9	90° Connector	90°	10	pieces
10	180° Connector	180°	8	pieces
11	+ Connector	+ shape with end cap	1	pieces
12	90° iron sheet	42*42*10*1.8mm 4 holes	24	pieces
13	180°iron sheet	101*10*1.8mm 4 holes	16	pieces
14	Countersunk screw	M4*4mm (For stator for driver)	12	pieces
15	Countersunk screw	M5*6mm	164	pieces
16	Self drilling screw	M4*13mm (For fixed power)	12	pieces
17	Buckle	75mm	20	pieces
18	Plastic expansion bolt	M6*30mm	40	pieces
19	installation manual	-	1	pieces

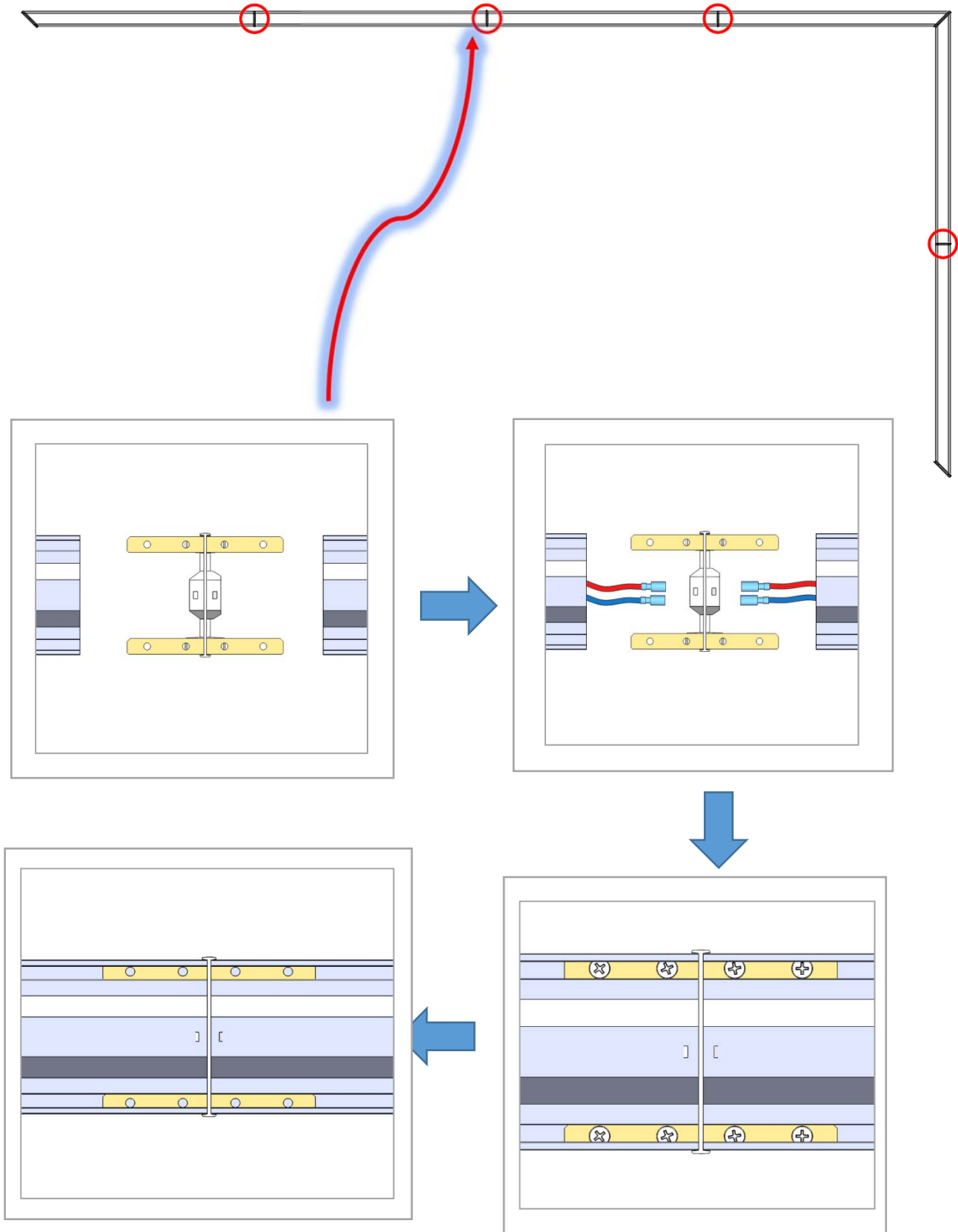
Technical Data

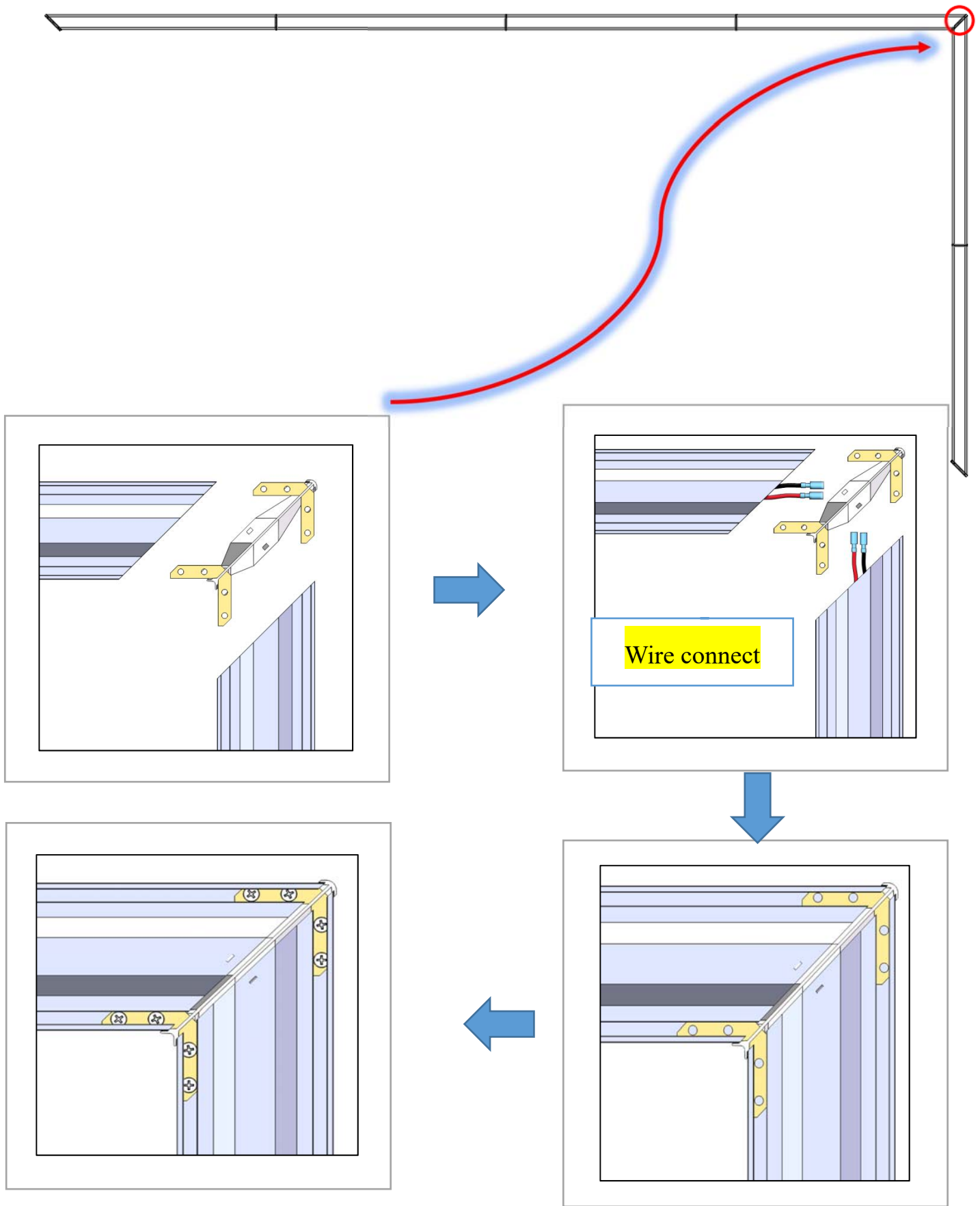
Voltage	AC110V
Power	704W
Current	12.8A
Width	80mm
Luminous Flux	110-120lm/w
CRI.	> 80
CCT.	6300K (White)
Material	Aluminium+PVC cover

Assembling instruction**Square lamp****Inner lamp**

Step 1 Assemble the square lamps

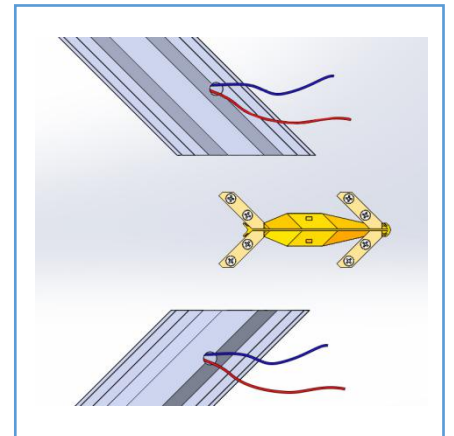
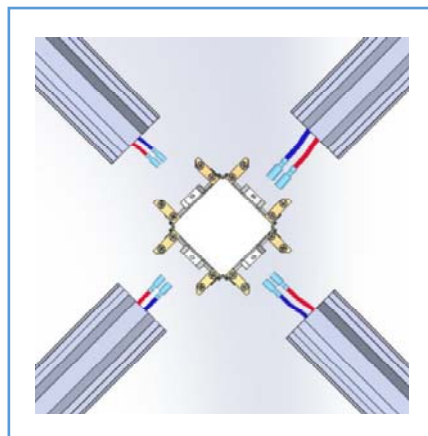
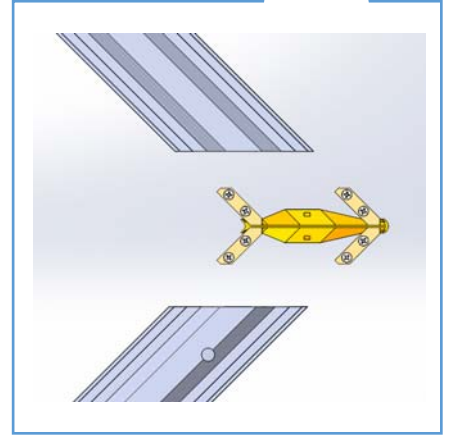
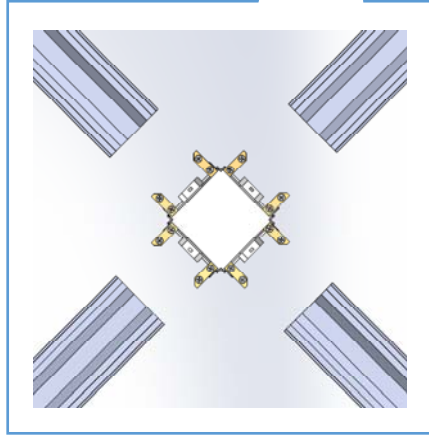
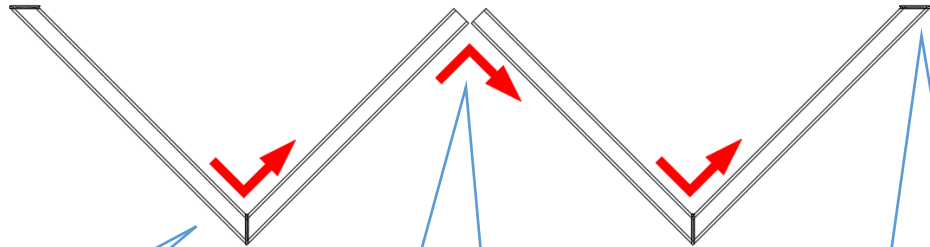
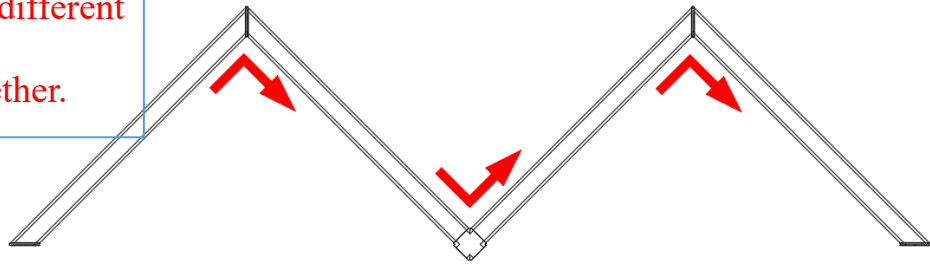
Connect 4 pieces of 1.175m light bars with — iron sheet and 180° connectors, to make 2 pieces of 4.71m light bars.



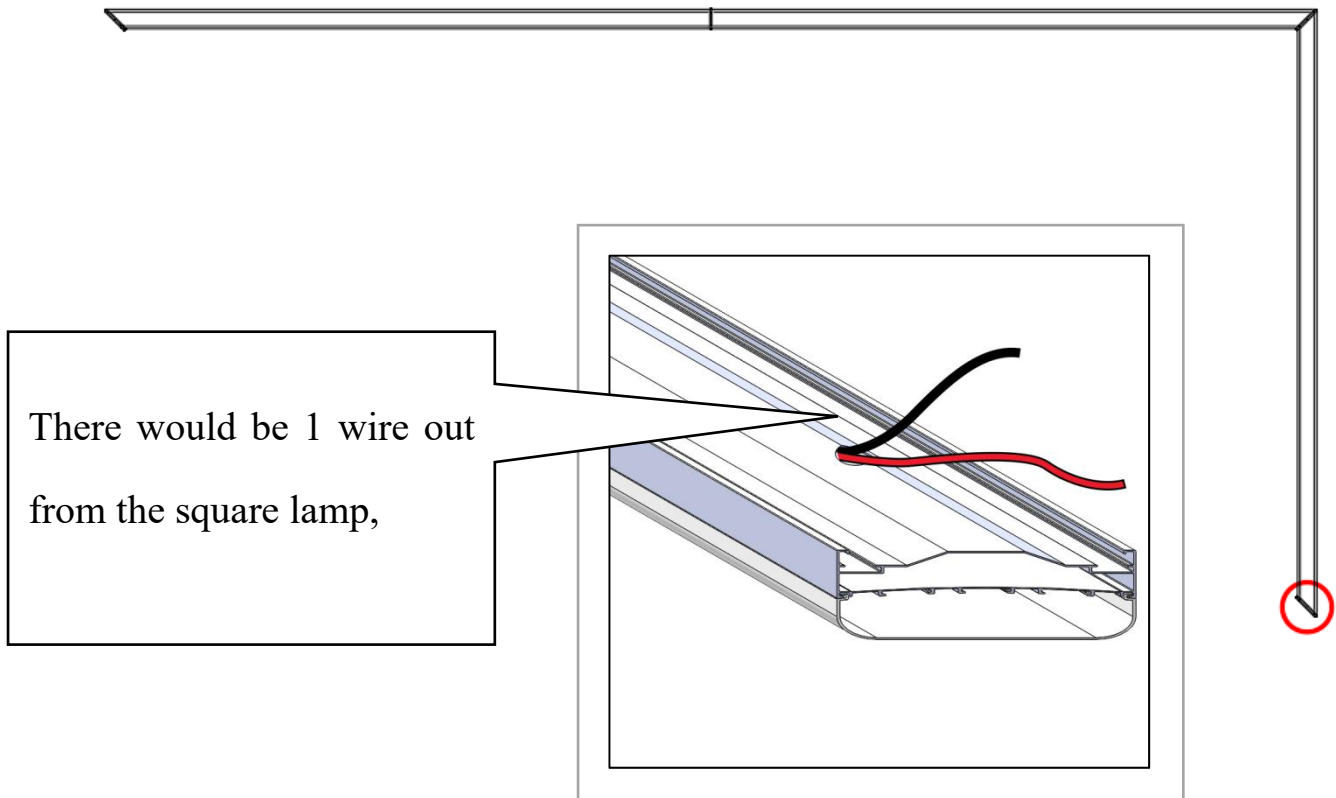


Step 2 Assemble the inner lamps

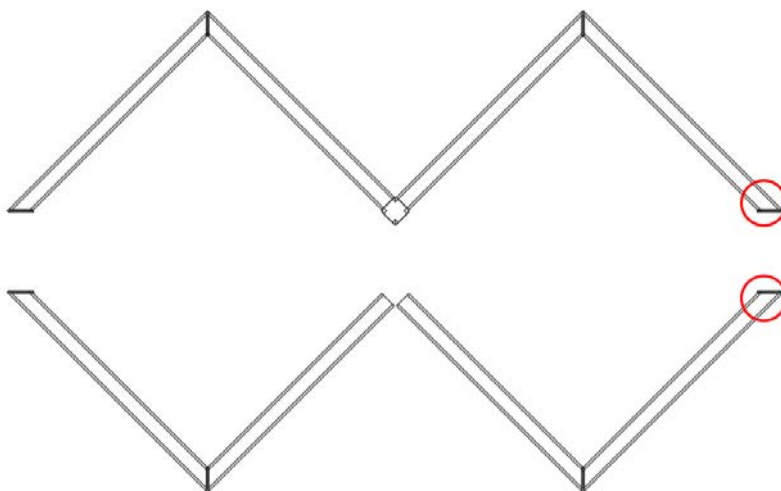
8 lamps for 2 groups, different group do not wiring together.



Step 3 Circuit diagram (**Caution: Lamp bars for DC24V, cannot electrical to AC110V directly!! Please wiring into the drivers before connecting with AC110V power supply**)



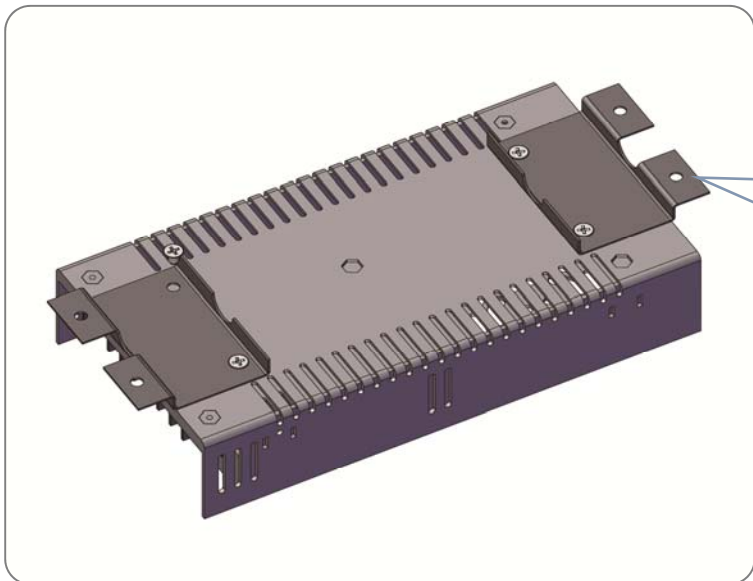
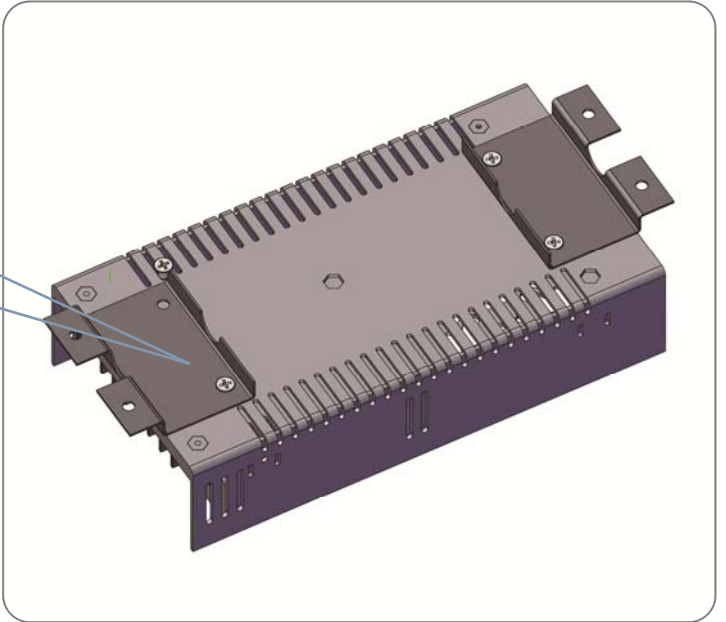
Inner Part



8 lamps for 2 groups,
electrical to the same led driver.

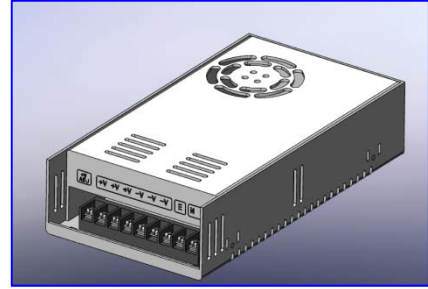
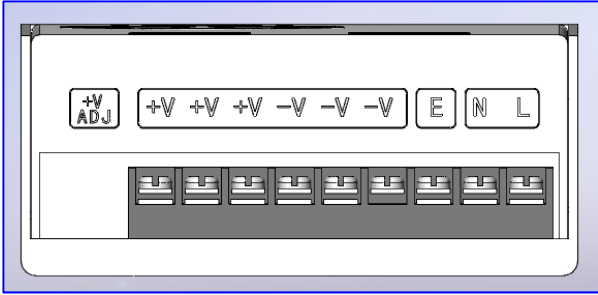
How to fix the led driver on the lamp

Screw the led driver mounting with countersunk screws



Screw the led driver on the lamp/wall with M4*13mm cushioned screws

Driver shows: each driver cannot exceed 400W



V+: positive pole DC24V 【CONNECT WITH RED WIRE OF LAMPS】

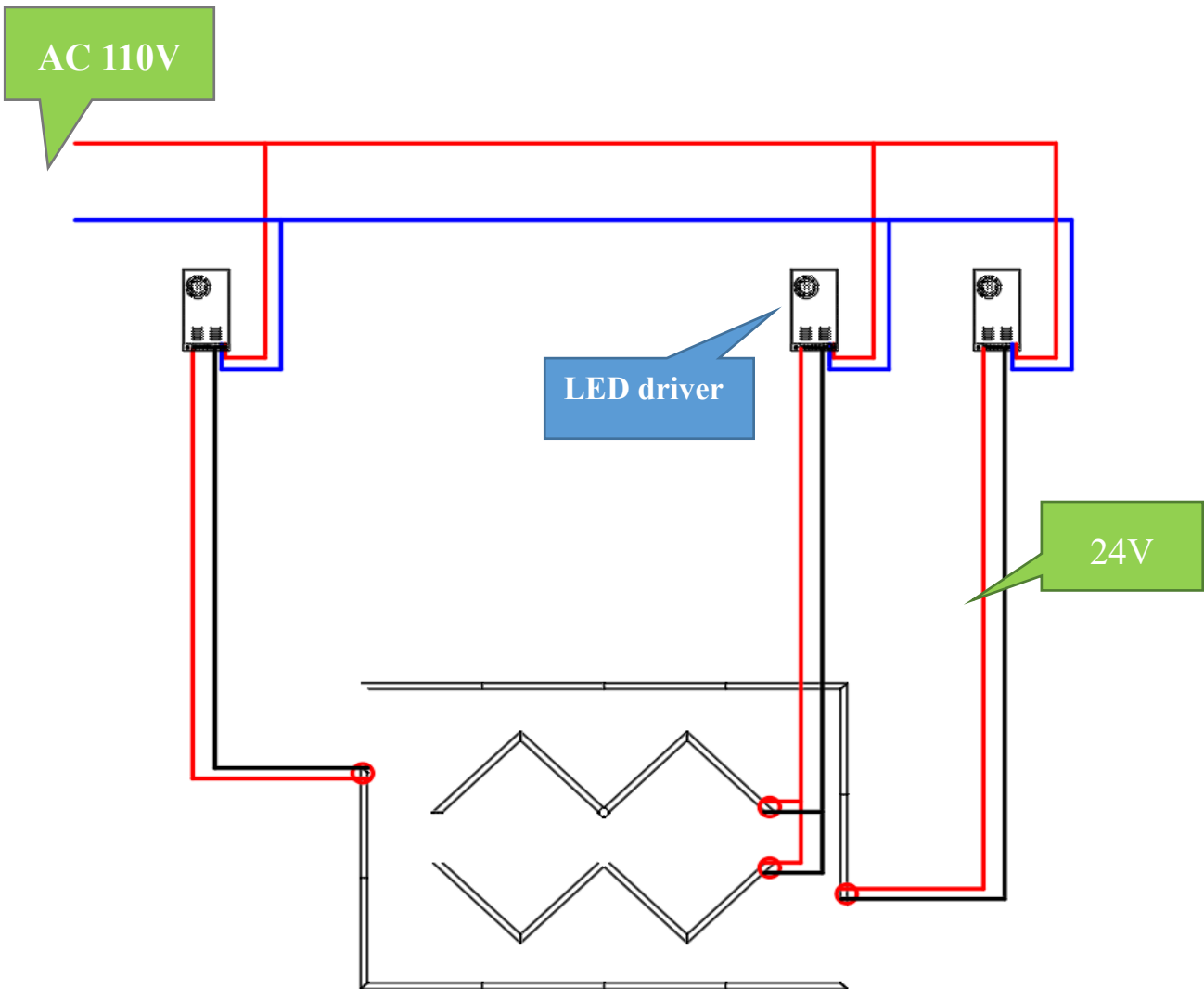
V-: negative pole DC24V 【CONNECT WITH BLACK WIRE OF LAMPS】

E: earth lead

N: null line AC110V

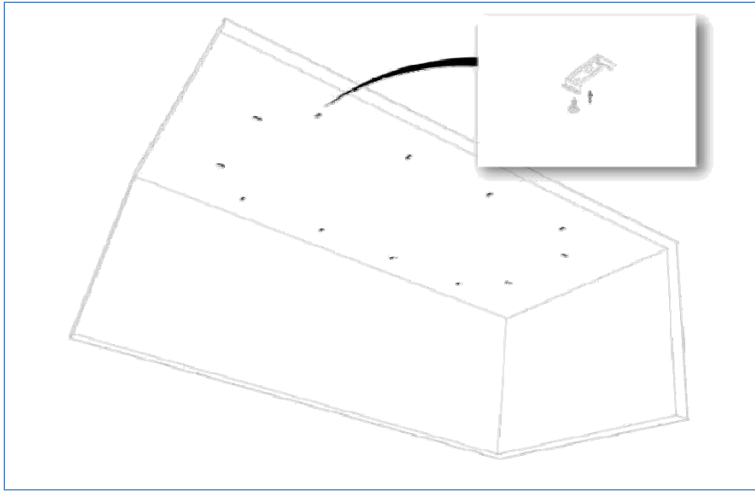
L: live wire AC110V

Circuit diagram

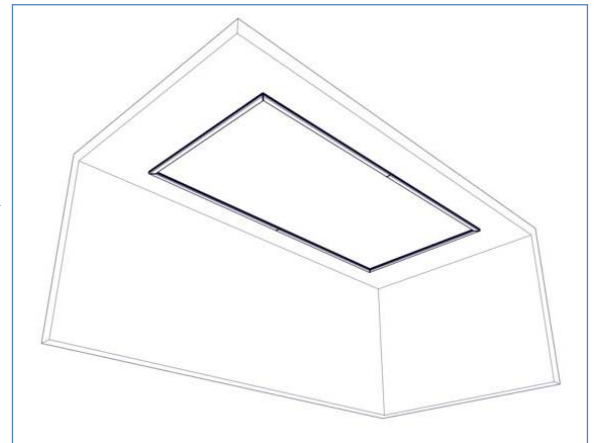
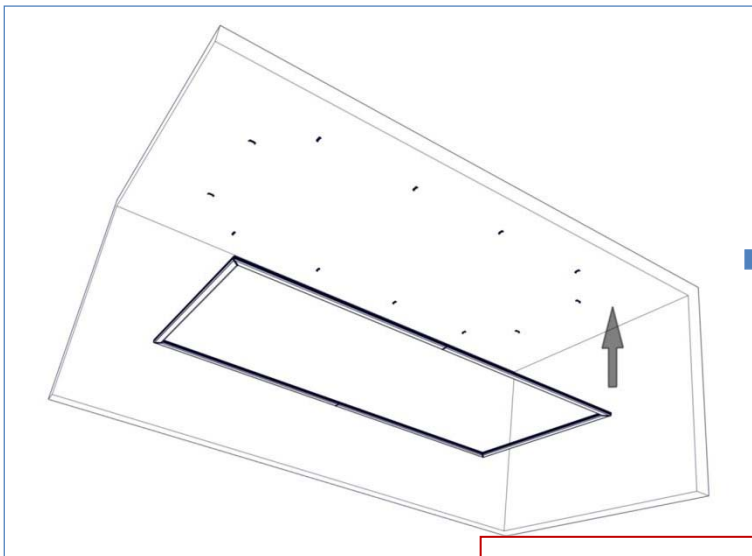


Mounting Instruction

How to install the lamp to the roof.



Drill holes for the plastic expansion bolt, then put the plastic expansion bolt into the holes, and then screw the buckles into the plastic expansion bolt with self-tapping screws.



Push the lamps into the buckles.