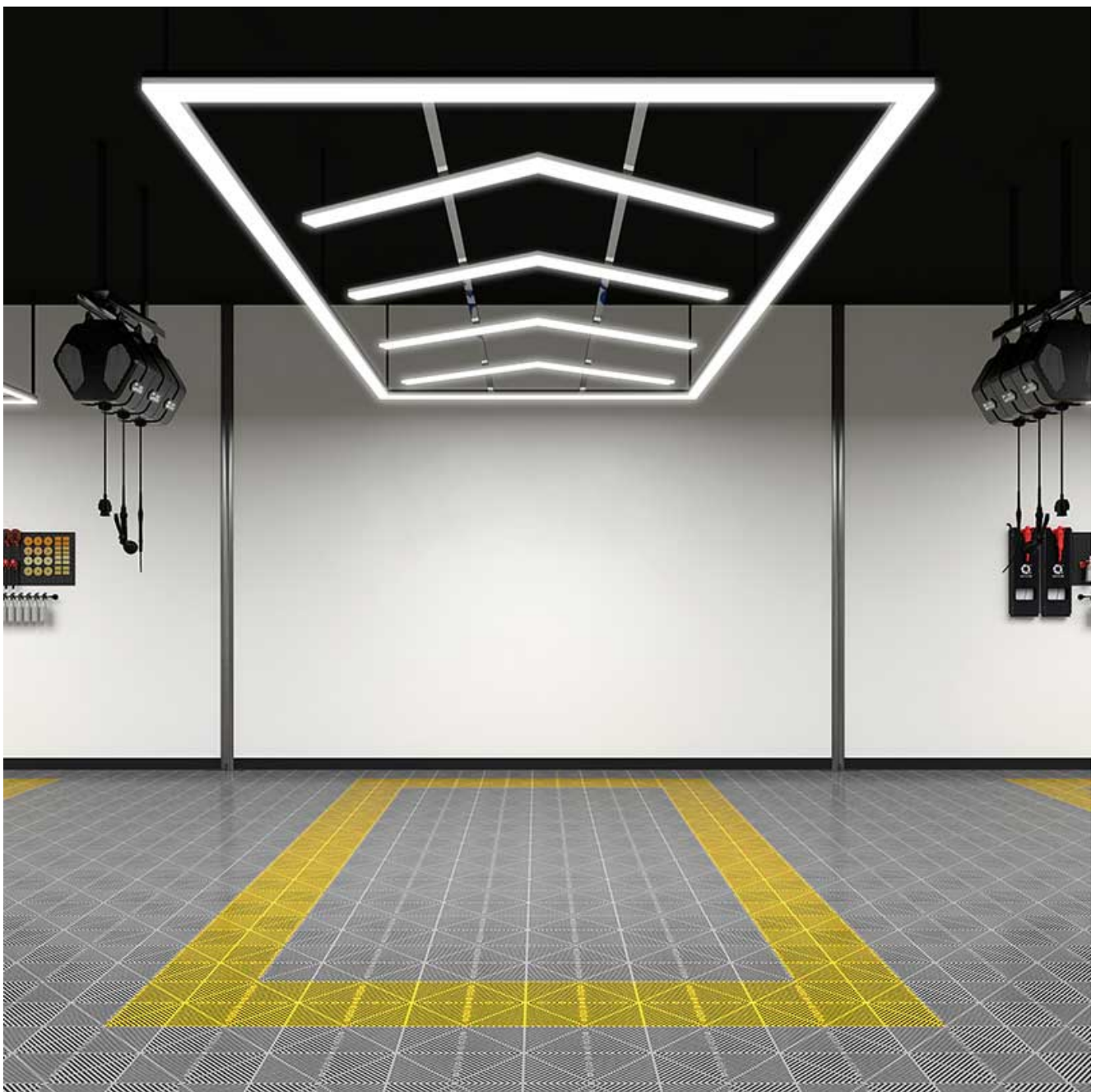
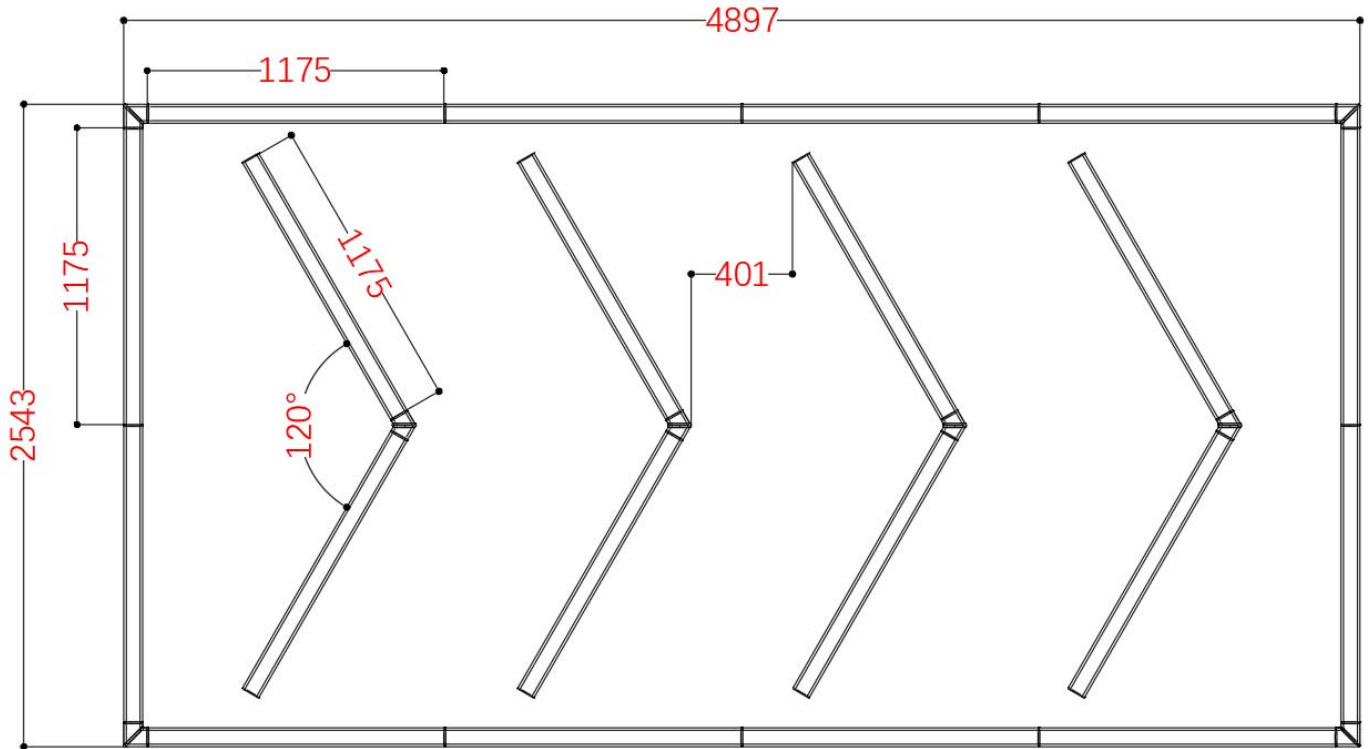
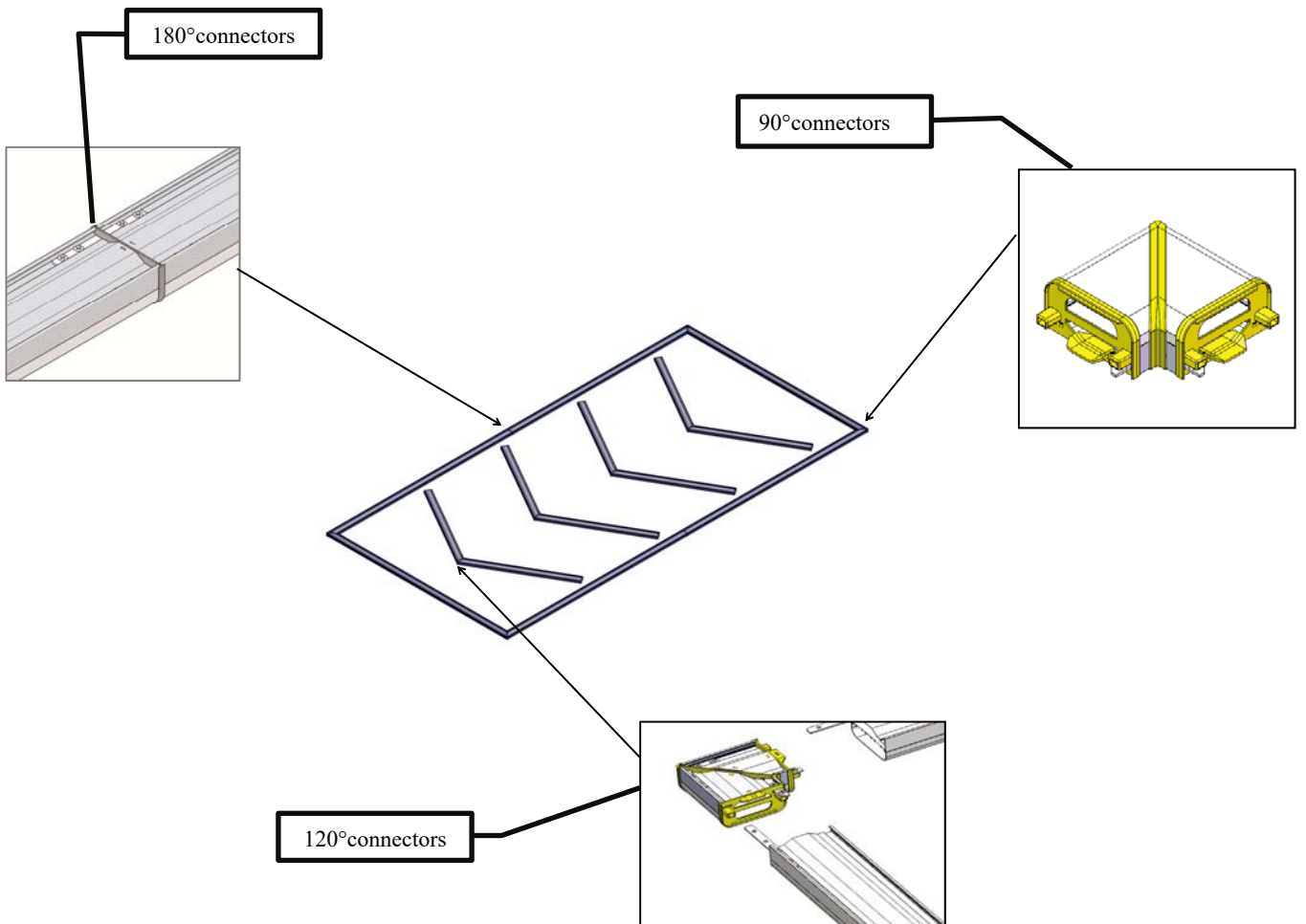
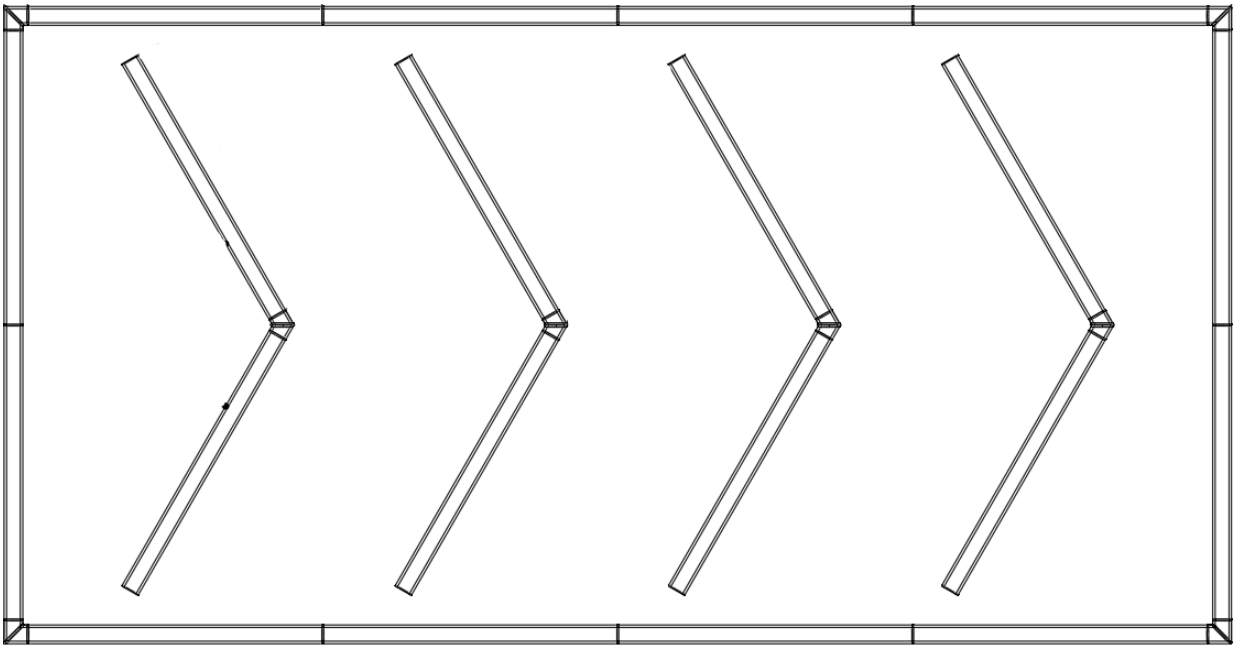


# Installation Instruction



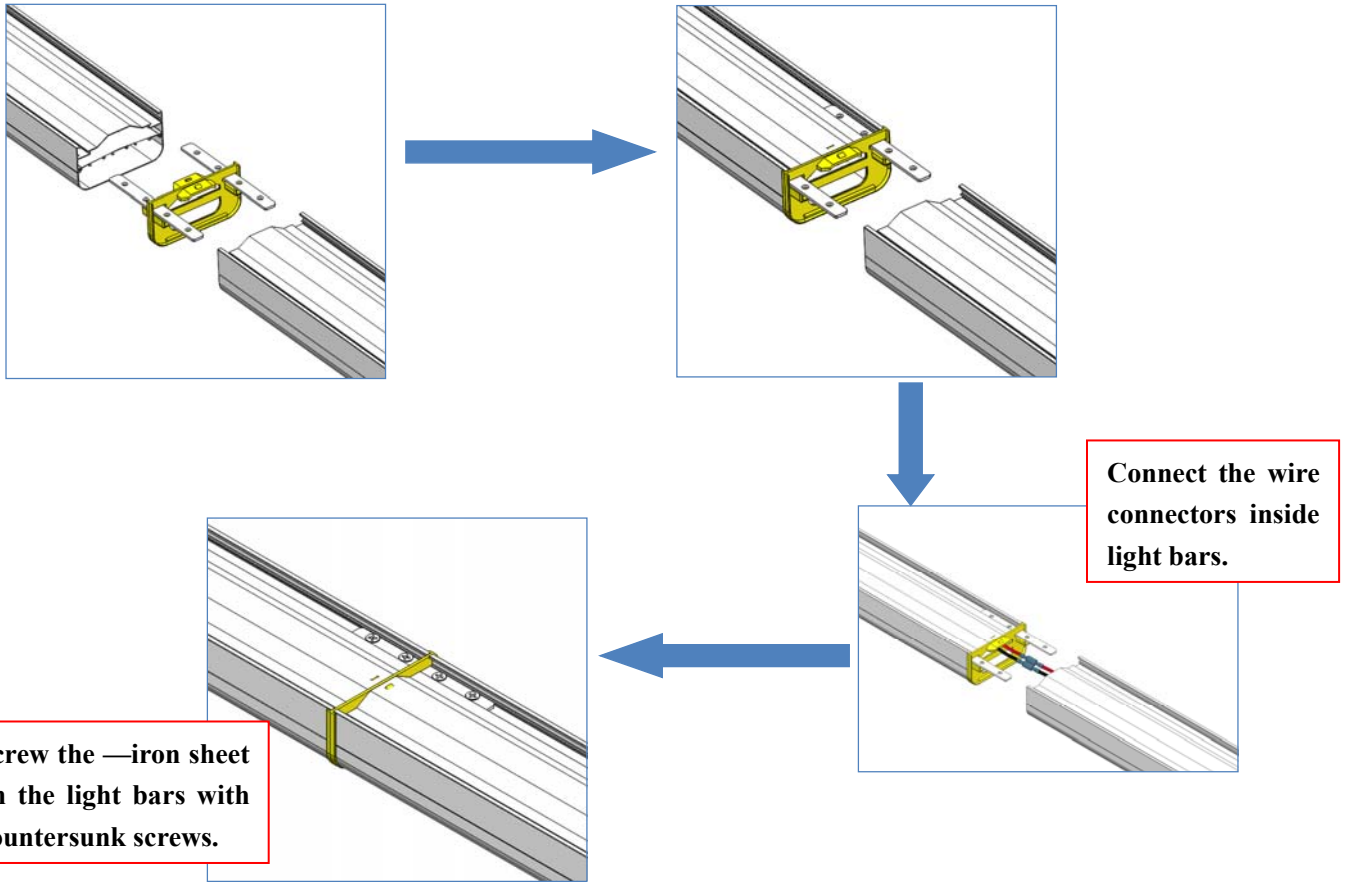
**Design Sketch:****Parts List**

No.	Name	Quantity	Unit	Specification
1	light bars	20	pieces	1.175m
2	wire	5	pieces	150mm
3	connectors	4	pieces	90°
4	connectors	8	pieces	180°
5	connectors	4	pieces	120°
6	End cap	8	pieces	White
7	— iron sheet	32	pieces	101*10mm 4holes
8	buckles	28	pieces	75mm
9	Bridge type ceiling bracket	18	pieces	100mm
10	Self-tapping screw	36	pieces	M5*10mm
11	countersunk screw	150	pieces	M5*6mm
12	Plastic expansion bolt	56	pieces	M4*25mm
13	Installation instruction	1	pieces	-



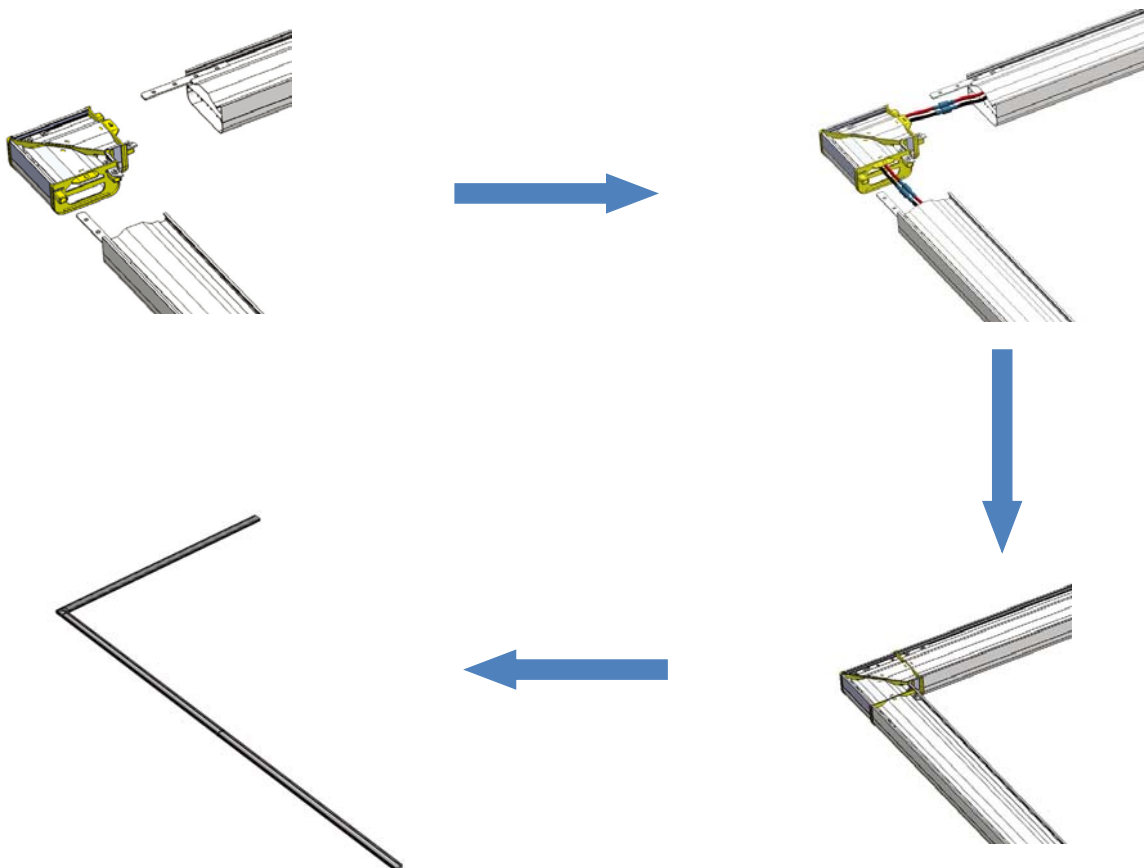
### Step 1

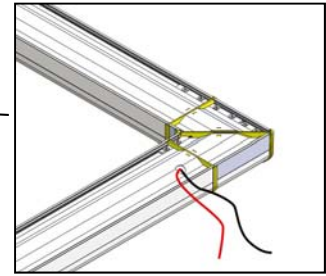
Connect 4 pieces of 1.175m light bars with — iron sheet & 180° connectors, to make 2 pieces of 4.7m light bars.



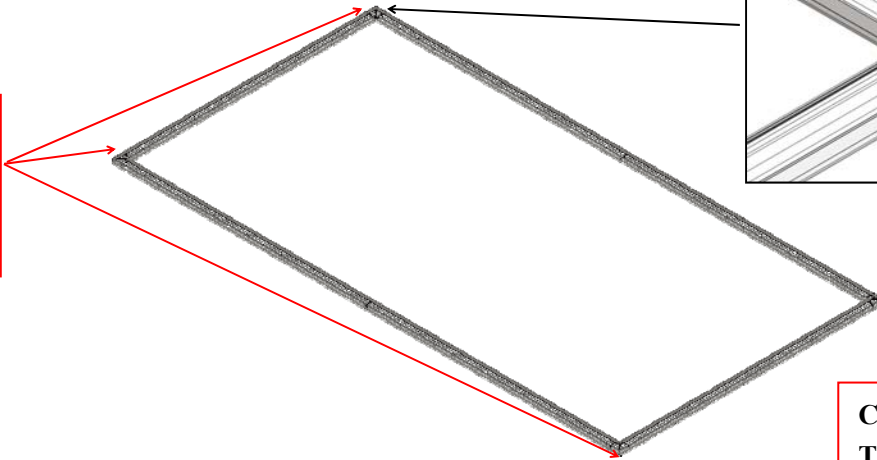
### Step 2

Put the — iron sheet on the grooves of 4.7m light bars, connect wires inside with the 90° light bars, and then The countersunk head screw is fixed and locked.





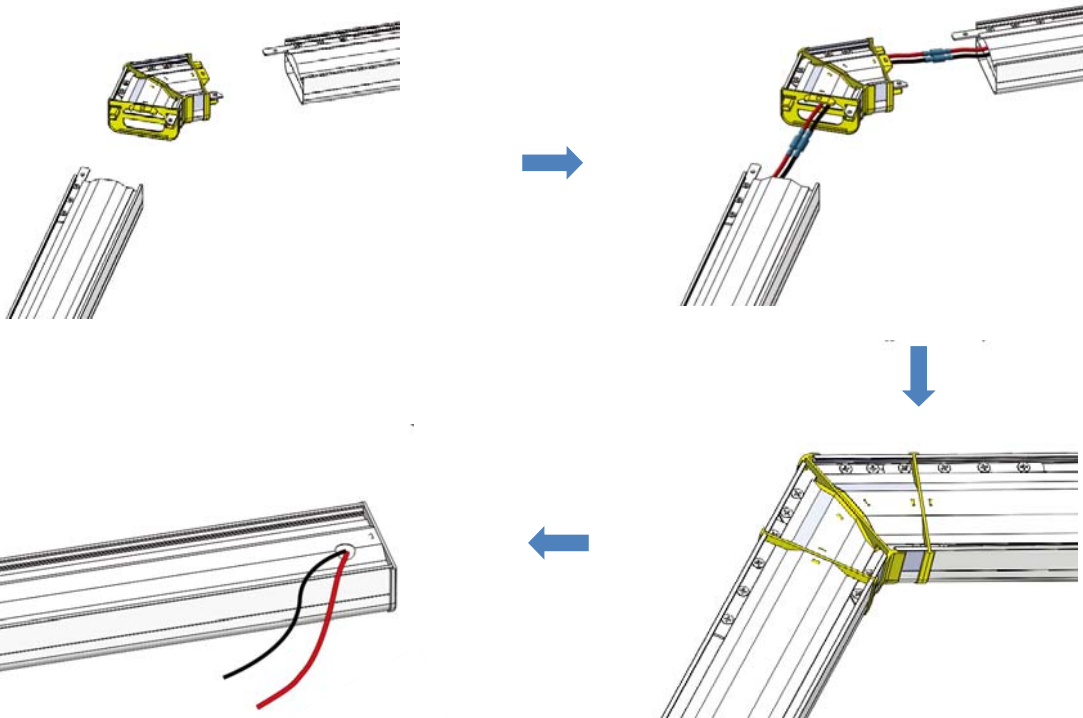
The 3 corners should be wire connection inside light bars.



**Caution:**  
There is only 1 point of each unit electrical to AC240V. (without any wire connection inside)

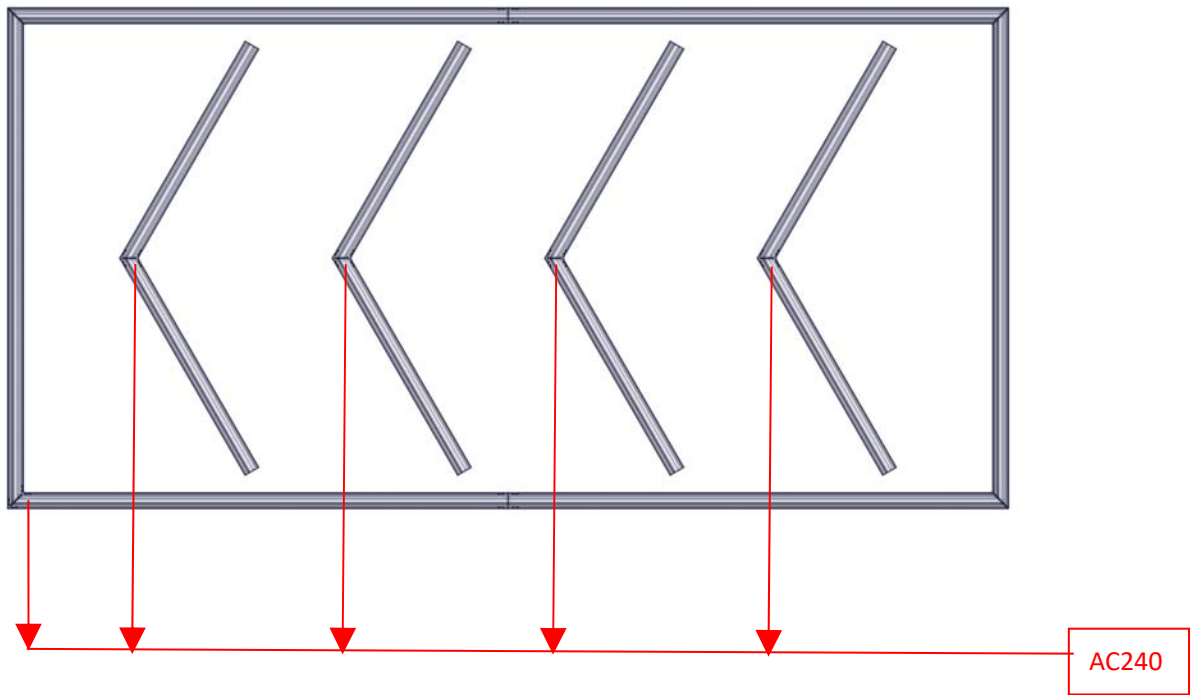
**Step 3**

Connect the inside arrows with 120°connectors, and screw them with countersunk screws.



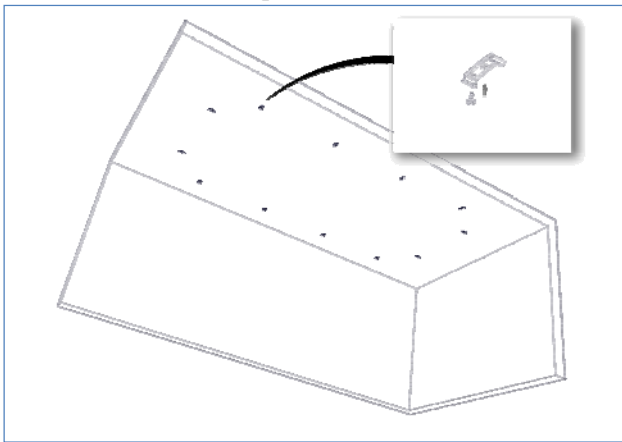
**Note:** Each group should have one lamp with outlet hole on the back for power supply.

### Circuit diagram

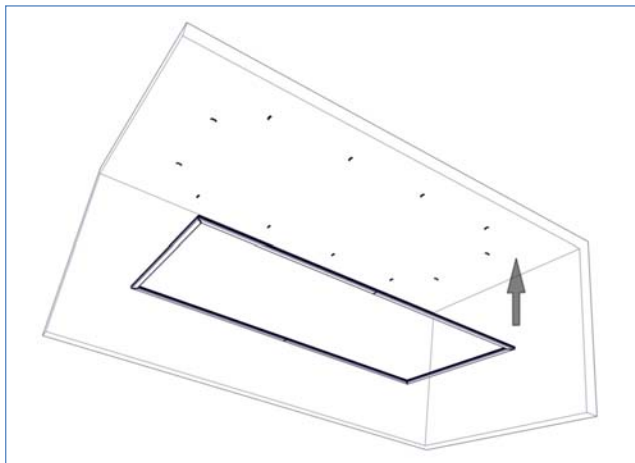


### Step 4

How to install the lamp to the roof.



**Drill holes for the plastic expansion bolt into the ceiling first, then put the plastic expansion bolt into the holes, and then screw the buckles into the plastic expansion bolt with self-tapping screws.**



**Push the lamps into the buckles.**

