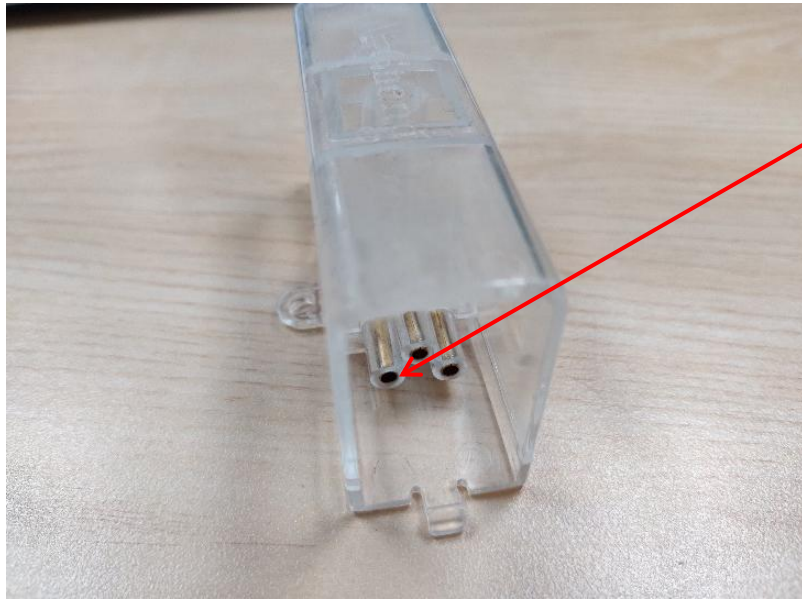


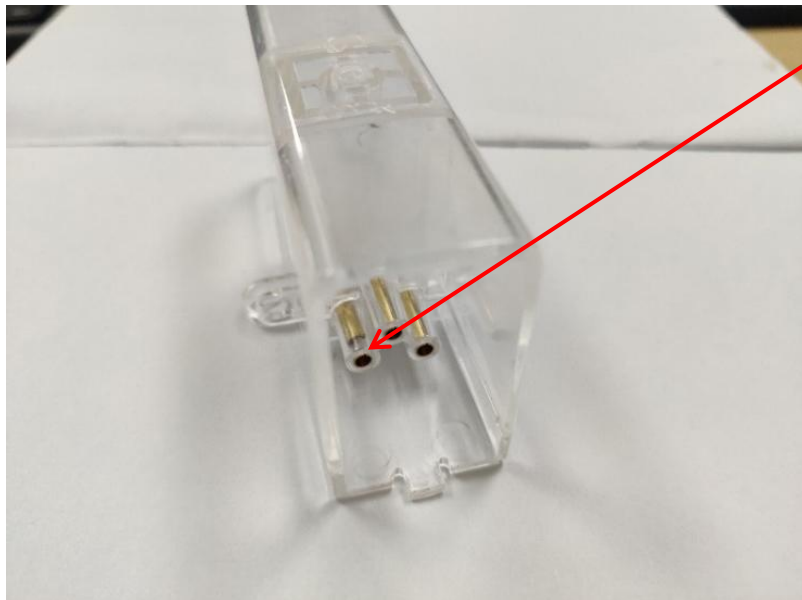


Car Workshop Light Installation Manuel

WARNING!!!



Normal cooper parts

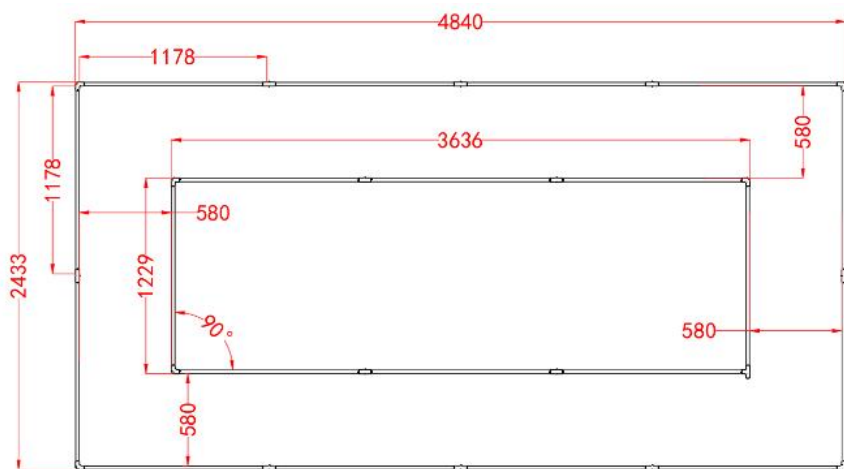


The deformed copper parts by violence.

Please do not assemble it violently, or the lighting structure would get burned.

If the connectors did not match well with the tubes, please push the cover of tubes into the connector firstly, and then aluminum body, or change another tube.

1.Design sketch (Please carefully read the “**Circuit Diagram**” before installing)



Series	Name	Specification	QTY	Unit	Confirm
1	tubes	L:1175mm*20mm 16w	20	pieces	
2	connectors	90° connector white	6	pieces	
3	connectors	180° connector white	12	pieces	
4	connectors	T connector white	2	pieces	
5	The cable	1-end	2	pieces	
6	installation instruction	-	1	pieces	

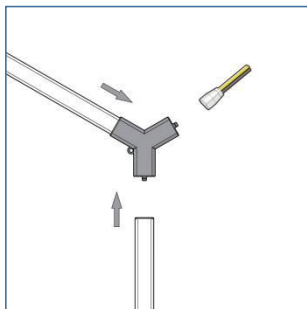
Technical Data

Voltage	AC220V
Power	320W
Current	1.4A
Instantaneous	2.9A

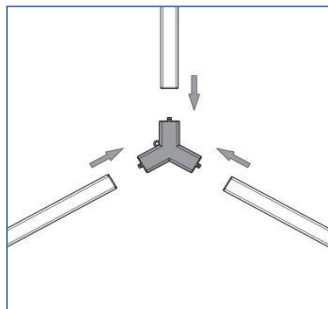
2.Connect the tubes in series as follows;



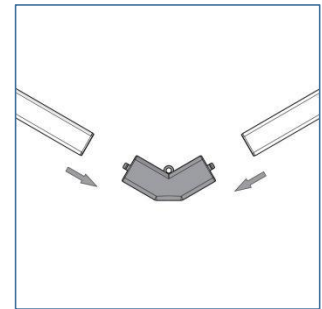
1. The 2  connect as follow picture



2. Other 3-end connection connect as follow picture



3. Other 2-end connection connect as follow picture



CAUTION!!

1. Please be careful while use the light bars connect with the connectors, or it would hurt the copper needle in the connectors;
2. TEST BEFORE PUTTING IT INTO THE CEILING;
3. There is only 2 point for wire connection of the whole structure.

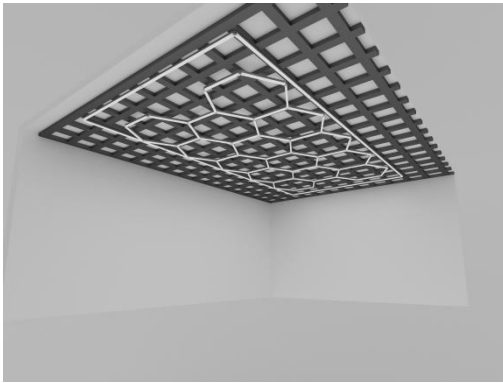
Red——L

Blue——N

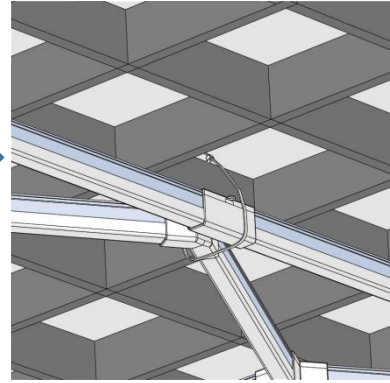
Yellow——E

How to install it on the ceiling.

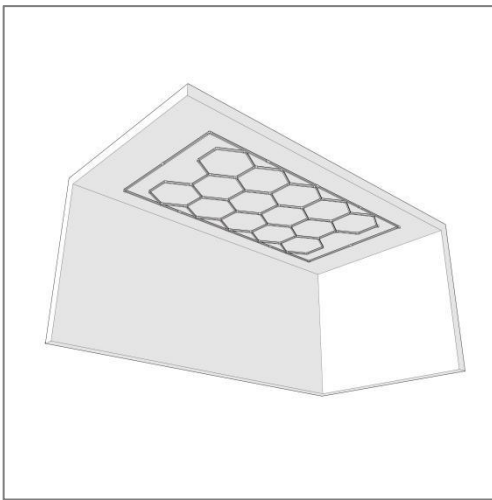
A grid roof



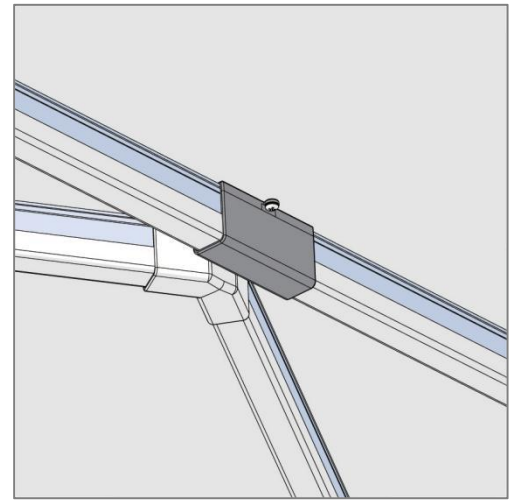
Tie it with ribbons equipped



B flat roof



Screw the connector from the hole to the ceiling directly



Remarks:

1. The whole structure should be 2 wires out to connect with 220V;
2. Please install by professional electrician;