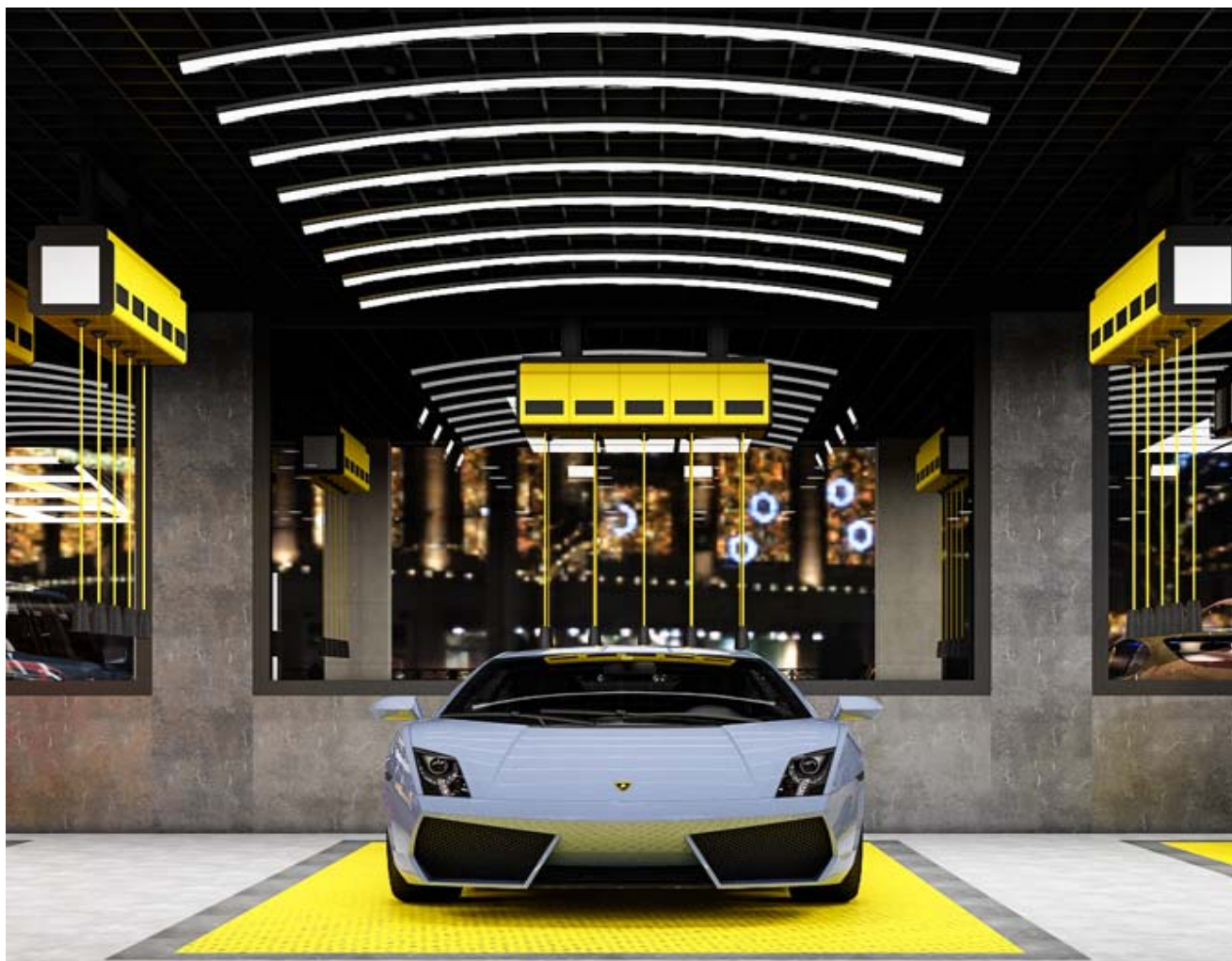


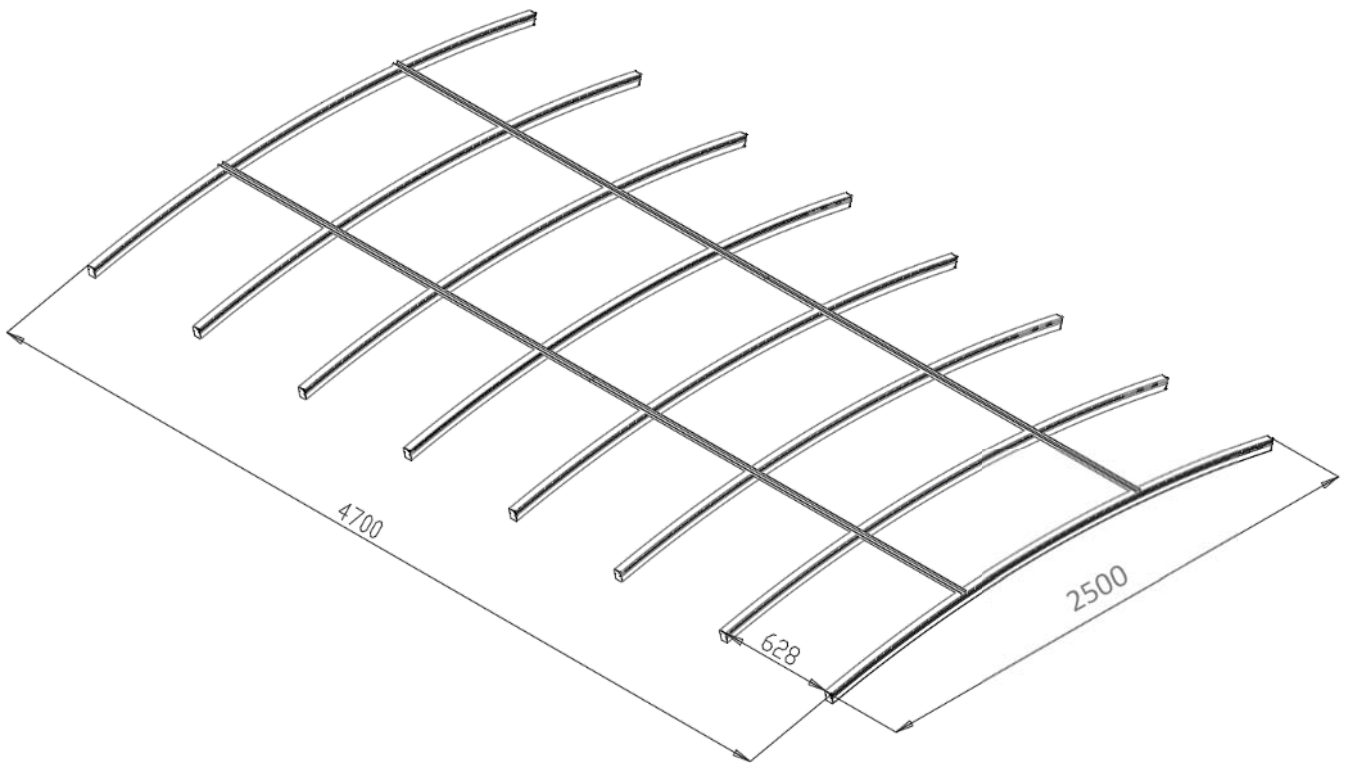
Installation Instruction



Only for reference! Please read this manual before assembling this product, and keep this for subsequent .

TEST BEFORE PUTTING IT INTO THE CEILING!

Design sketch



Parts list

No.	Name	Specification	Quantity	Unit	Confirm
1	Light bars	40*2500mm 62w 6500K	8	pieces	
2	U connectors	2350*30*2mm	4	pieces	
3	connectors for U	25*200mm	2	pieces	
4	Self-tapping screw	M4*13mm	55	pieces	
5	Control Systems	800w	1	pieces	
6	3-terminal quick union	Orange and gray	4	pieces	
7	5-terminal quick union	Orange and gray	12	pieces	
8	Installation instruction	-	1	pieces	

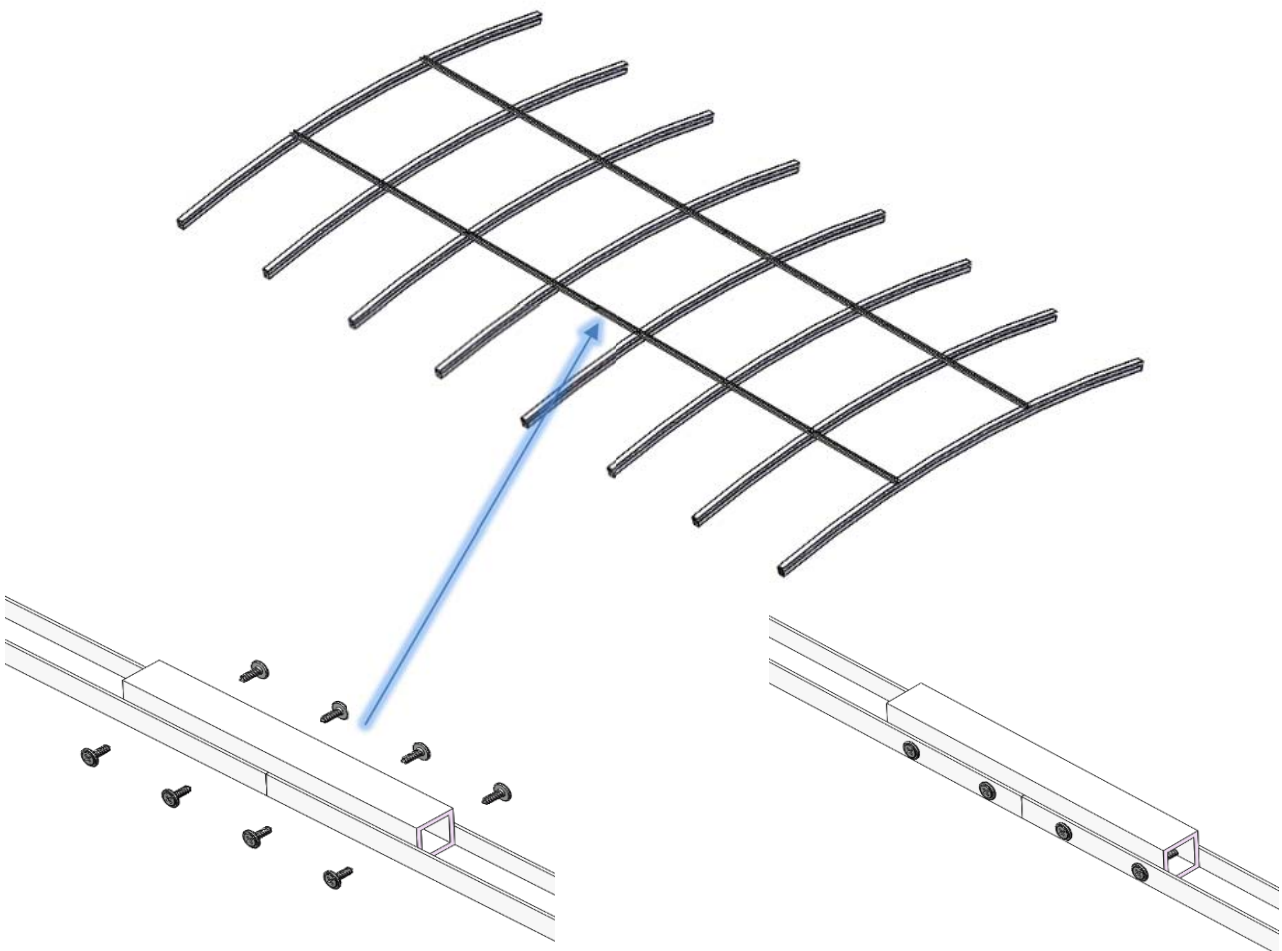
Technical Data

Voltage	AC240V
Power	493W
Current	4.1A
Width	40mm
Luminous Flux	110-120lm/w
CRI.	>90
CCT.	6500K (White)
Material	Aluminium+PVC cover

Assembling instruction

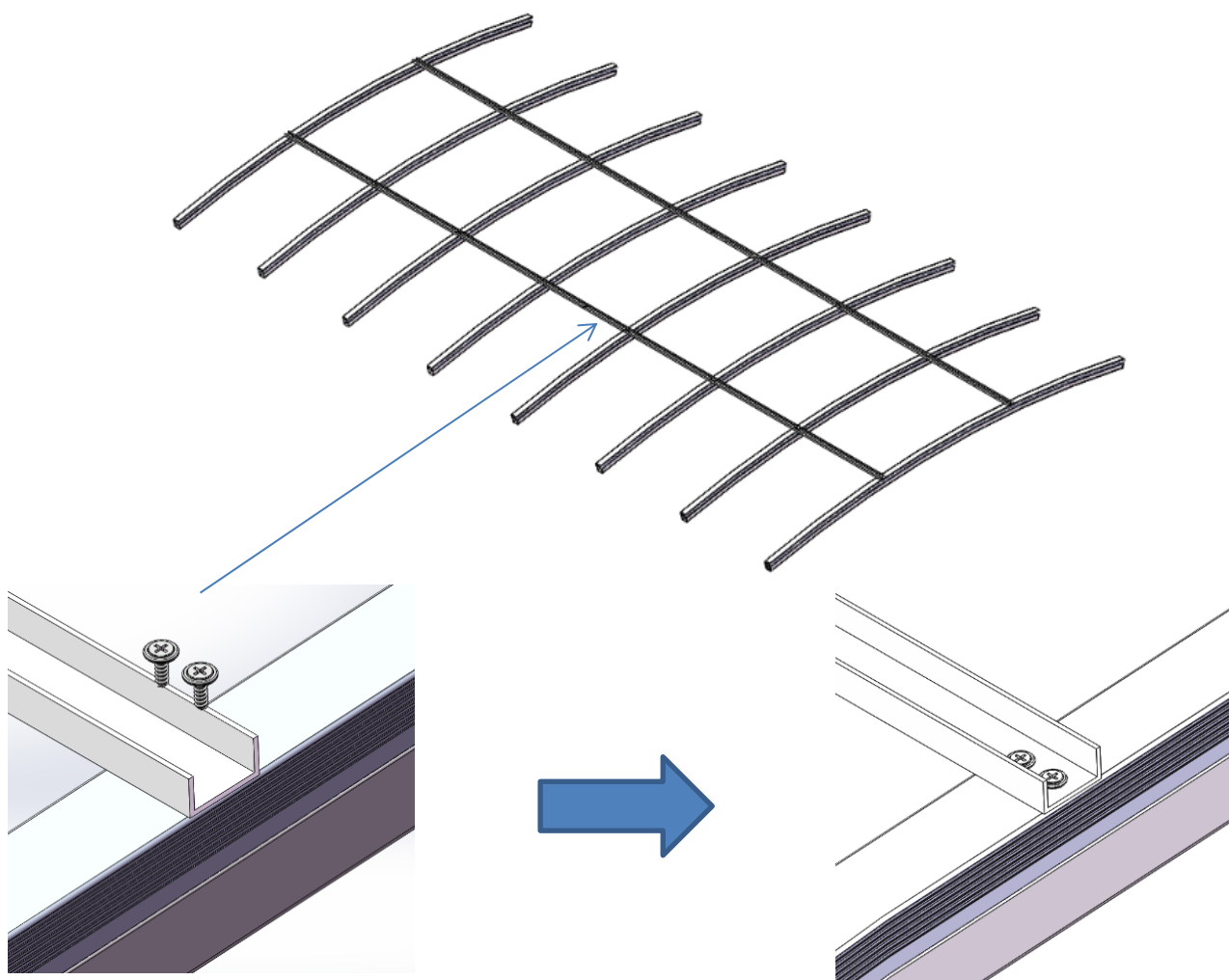
1、 Install U connectors

2 piece of U connectors are connected with connectors for U and fixed with 4*13mm Self-tapping screw.



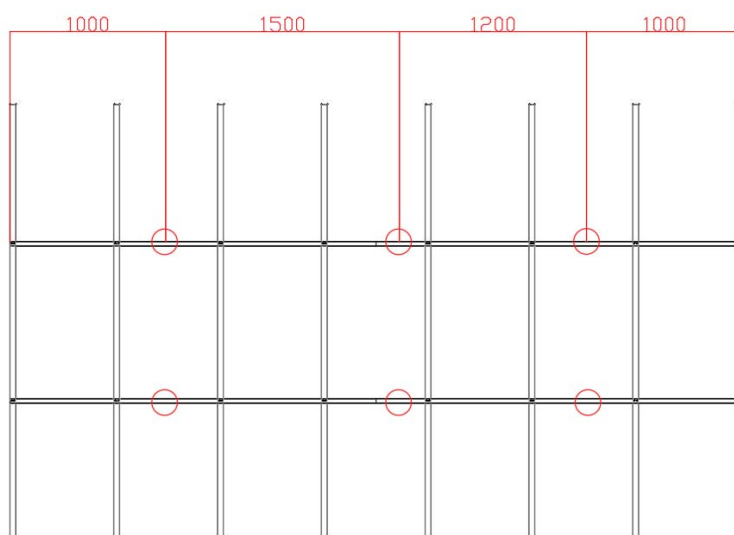
2、 Fixed

Use 4*13mm Self-tapping screw to fix the U connectors to the lamp

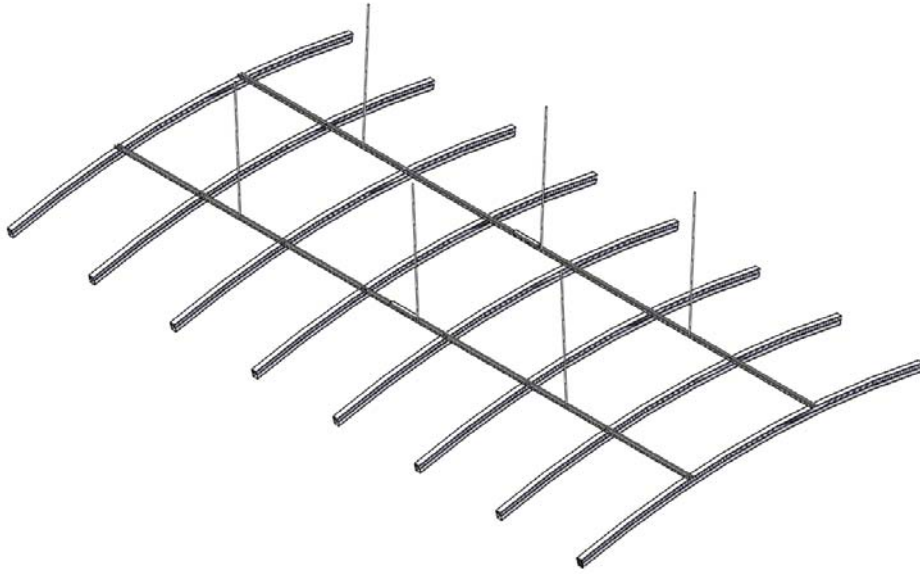


3、 Screw positioning

6 screws are used to fix the whole set of lamps , and the materials of the ceiling shall be prepared

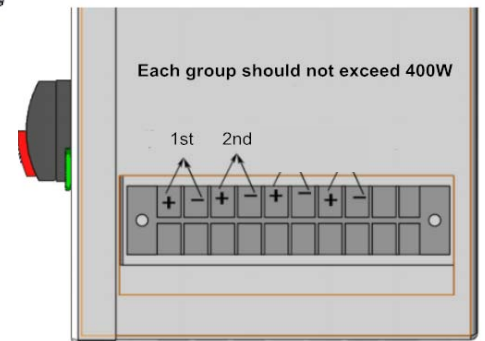
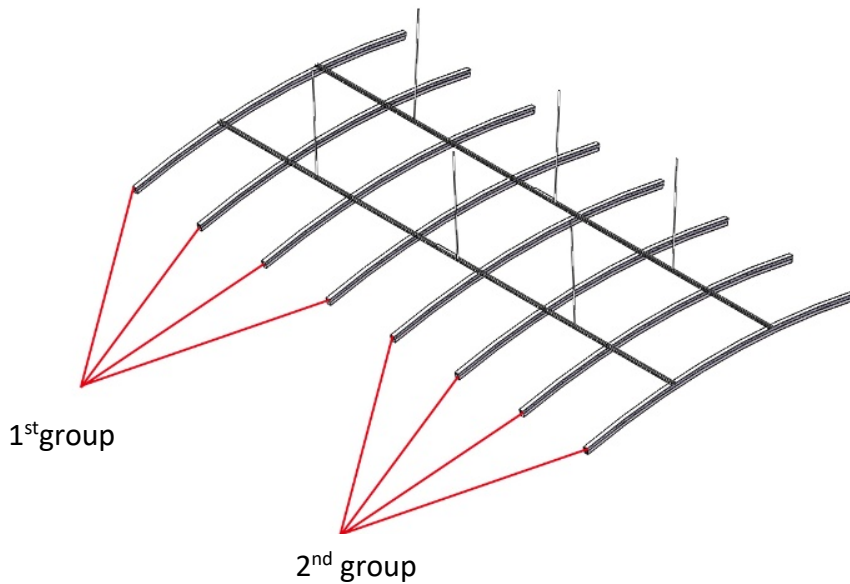


4、 The installation,use 6 screw ceiling installation



5、 Circuit Diagram

There are 8 wire entries for the whole set, and each for 4 wires. Parallel connecting as follow:



1. When installing, please prepare 2 sets of wires. After each set of wires is connected to the male wire, connect the light bars in parallel as shown in the figure;
2. Please use 13AWG wire as the connecting wire;
3. Ask a professional electrician for installation.