

DIN43675



250A



630A



630A



1000A



2000A



3150A



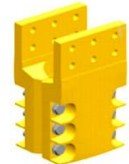
4500A



6300A

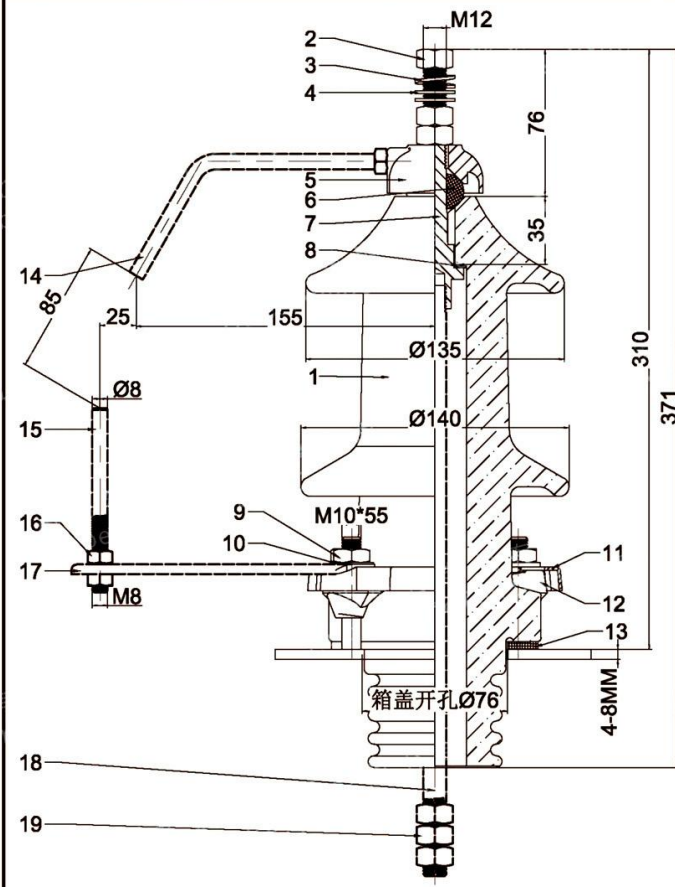


8000A



12500A

DIN42531



Insulation Levels acc. to IEC 60137			
1	Highest Voltage Rating [kV]		12
2	Current Rating [A]		250
3	SHL Rating [kV]		70
4	Creepage Distance [mm]		295

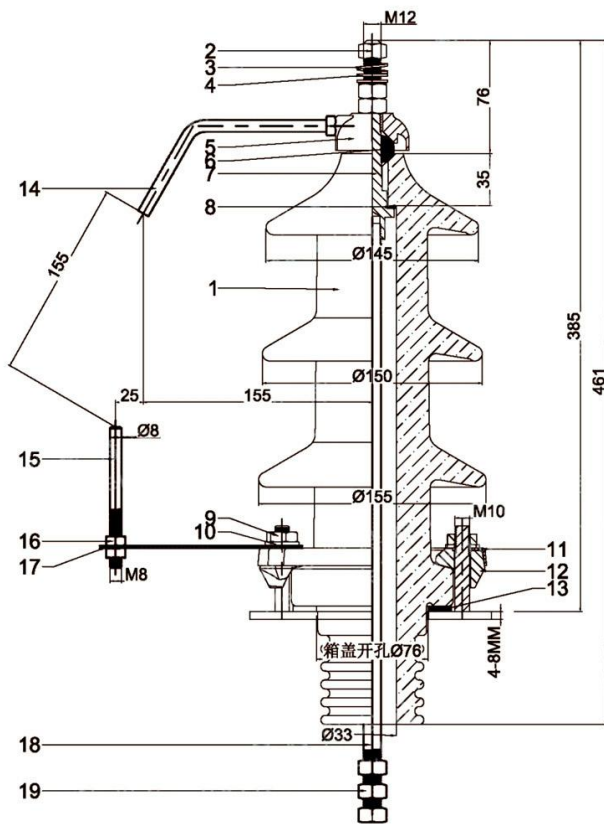
Optional	Item No.	Part Name	Material	Quantity
	19	Nut M12	304 Stainless Steel	3
	18	Stem	Brass	1
	17	V Bracket	304 Stainless Steel	1
	16	Nut M8	304 Stainless Steel	3
	15	Bottom Arcing Horn	304 Stainless Steel	1
	14	Top Arcing Horn	304 Stainless Steel	1

ITEM NO.	Part Name	Part Number	Material	Quantity
13	gasket 180°78°4		NBR	1
12	Alu. Clamp		Alu	4
11	Fixing Ring		304 Stainless Steel	1
10	Washer		304 Stainless Steel	4
9	Nut M10		304 Stainless Steel	4
8	Gasket 32°16°1.6		Klingert	1
7	Stem		Brass	1
6	Ring gasket 30°12°18		NBR	1
5	Cap		Brass	1
4	Washer		Brass	2
3	Spring Washer		304 Stainless Steel	1
2	Nut M12		Brass	3
1	Top Porcelain		Porcelain	1

Design by:	Product name:
Examined by:	10NF250A BUSHING
Approved by:	DIN 42531
Date:	DRAWING NO.

萍乡市日升电瓷有限公司

DIN42531



Insulation Levels acc. to IEC 60137			
1	Highest Voltage Rating [kV]	12	
2	Current Rating [A]	250	
3	BIL Rating [kV]	70	
4	Creepage Distance [mm]	445	

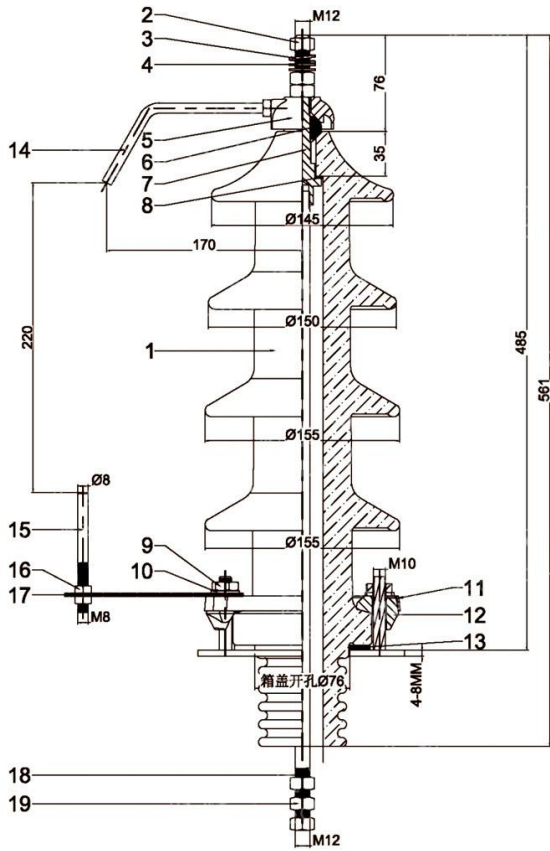
Optional	Item No.	Part Name	Material	Quantity
	19	Nut M12	304 Stainless Steel	3
	18	Stem	Brass	1
	17	V Bracket	304 Stainless Steel	1
	16	Nut M8	304 Stainless Steel	3
	15	Bottom Arcing Horn	304 Stainless Steel	1
	14	Top Arcing Horn	304 Stainless Steel	1

ITEM NO.	Part Name	Part Number	Material	Quantity
13	gasket 180°78°4		NBR	1
12	Alu. Clamp		Alu	4
11	Fixing Ring		304 Stainless Steel	1
10	Washer		304 Stainless Steel	4
9	Nut M10		304 Stainless Steel	4
8	Gasket 32°15°1.5		Klingerit	1
7	Stem		Brass	1
6	Ring gasket 30°12°18		NBR	1
5	Cap		Brass	1
4	Washer		Brass	2
3	Spring Washer		304 Stainless Steel	1
2	Nut M12		Brass	3
1	Top Porcelain		Porcelain	1

Design by:	Product name:
Examined by:	20NF250A BUSHING
Approved by:	DIN 42531
Date:	DRAWING NO.

萍乡市日升陶瓷有限公司

DIN42531



1	Highest Voltage Rating [kV]	12
2	Current Rating [A]	250
3	BIL Rating [kV]	70
4	Creepage Distance [mm]	600

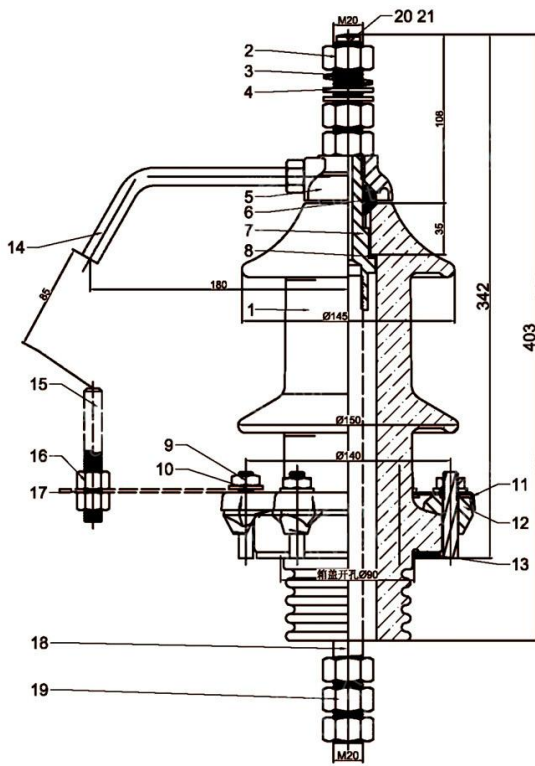
Optional	ITEM NO.	Part Name	Part Number	Material	Quantity
	19	Nut M12		304 Stainless Steel	3
	18	Stem		Brass	1
	17	V Bracket		304 Stainless Steel	1
	16	Nut M8		304 Stainless Steel	3
	15	Bottom Arcing Horn		304 Stainless Steel	1
	14	Top Arcing Horn		304 Stainless Steel	1

	13	gasket 180°76°4		NBR	1
	12	Alu. Clamp		Alu	4
	11	Fixing Ring		304 Stainless Steel	1
	10	Washer		304 Stainless Steel	4
	9	Nut M10		304 Stainless Steel	4
	8	Gasket 32°15°1.5		Klingerit	1
	7	Stem		Brass	1
	6	Ring gasket 30°12°18		NBR	1
	5	Cap		Brass	1
	4	Washer		Brass	2
	3	Spring Washer		304 Stainless Steel	1
	2	Nut M12		Brass	3
	1	Top Porcelain		Porcelain	1
ITEM NO.	Part Name	Part Number	Material	Quantity	

Design by:	Product name:
Examined by:	30NF250A BUSHING
Approved by:	DIN 42531
Date:	DRAWING NO.

萍乡市日升电瓷有限公司

DIN42532



Insulation Levels acc. to IEC 60137		
1	Highest Voltage Rating [kV]	12
2	Current Rating [A]	630
3	BIL Rating [kV]	70
4	Creepage Distance [mm]	295

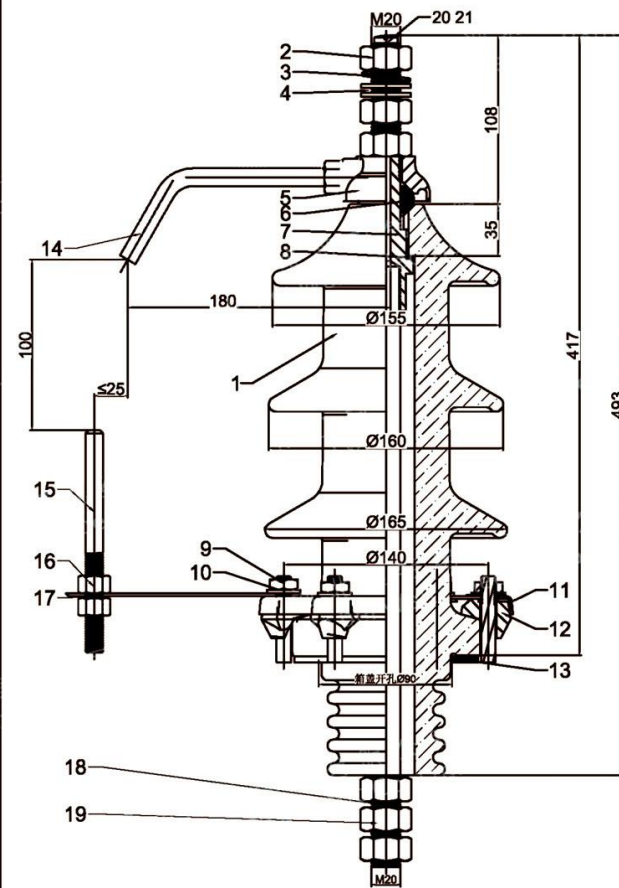
Optional	Part No.	Part Name	Material	Quantity
	19	Nut M20	304 Stainless Steel	3
	18	Stem	Brass	1
	17	Bracket	304 Stainless Steel	1
	16	Nut M12	304 Stainless Steel	3
	15	Bottom Arcing Horn	304 Stainless Steel	1
	14	Top Arcing Horn	304 Stainless Steel	1

ITEM NO.	Part Name	Part Number	Material	Quantity
21	gasket		NBR	1
20	Vent plug		Brass	1
13	gasket 125°90°4		NBR	1
12	Alu. Clamp		Alu	6
11	Fixing Ring		304 Stainless Steel	1
10	Washer		304 Stainless Steel	6
9	Nut M10		304 Stainless Steel	6
8	Gasket 38°24°2		Klingersit	1
7	Stem		Brass	1
6	Ring gasket 38°20°18		NBR	1
5	Cap		Brass	1
4	Washer		Brass	2
3	Spring Washer		304 Stainless Steel	1
2	Nut M20		Brass	3
1	Top Porcelain		Porcelain	1

Design by:	Product name:
Examined by:	10NF630A BUSHING
Approved by:	DIN 42532
Date:	DRAWING NO.

萍乡市日升电瓷有限公司

DIN42532



Insulation Levels acc. to IEC 60137		
1	Highest Voltage Rating [kV]	24
2	Current Rating [A]	630
3	BIL Rating [kV]	70
4	Creepage Distance [mm]	445

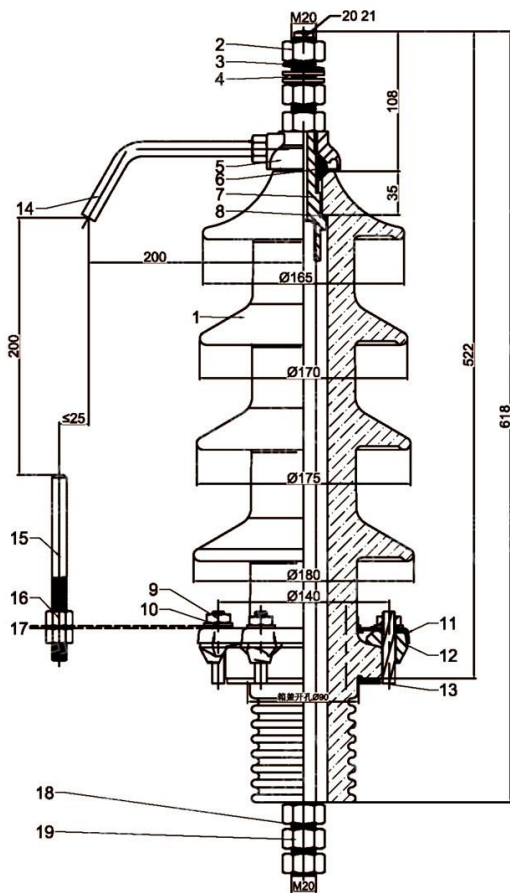
Optional	Part Name	Part Number	Material	Quantity
19	Nut M20		304 Stainless Steel	3
18	Stem		Brass	1
17	Bracket		304 Stainless Steel	1
16	Nut M12		304 Stainless Steel	3
15	Bottom Arcing Horn		304 Stainless Steel	1
14	Top Arcing Horn		304 Stainless Steel	1

ITEM NO.	Part Name	Part Number	Material	Quantity
21	gasket		NBR	1
20	Vent plug		Brass	1
13	gasket 125°90°4		NBR	1
12	Alu. Clamp		Alu	6
11	Fixing Ring		304 Stainless Steel	1
10	Washer		304 Stainless Steel	6
9	Nut M10		304 Stainless Steel	6
8	Gasket 38°24°2		Klingerit	1
7	Stem		Brass	1
6	Ring gasket 38°20°18		NBR	1
5	Cap		Brass	1
4	Washer		Brass	2
3	Spring Washer		304 Stainless Steel	1
2	Nut M20		Brass	3
1	Top Porcelain		Porcelain	1

Design by:	Product name:
Examined by:	20NF630A BUSHING
Approved by:	DIN 42532
Date:	DRAWING NO.

萍乡市日升电瓷有限公司

DIN42532



Insulation Levels acc. to IEC 60137		
1	Highest Voltage Rating [kV]	36
2	Current Rating [A]	630
3	BIL Rating [kV]	70
4	Creepage Distance [mm]	635

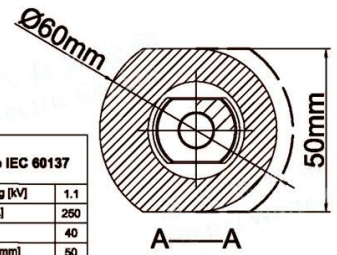
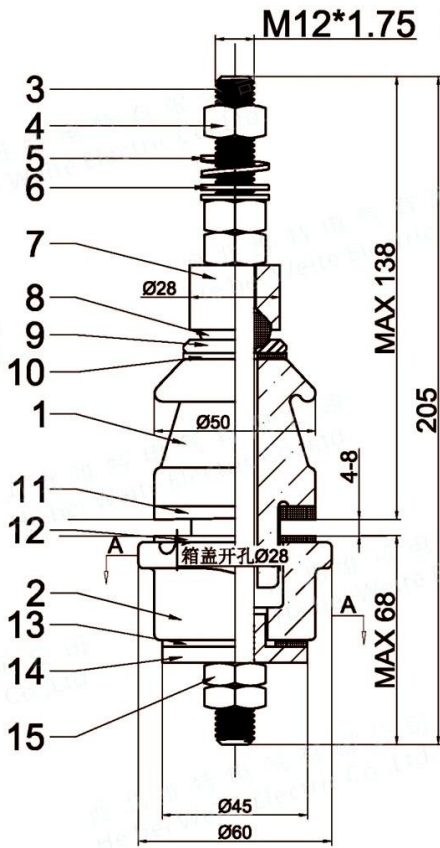
Optional	Part Name		Material	Quantity
	Part No.	Part Number		
19	Nut M20		304 Stainless Steel	3
18	Stem		Brass	1
17	Bracket		304 Stainless Steel	1
16	Nut M12		304 Stainless Steel	3
15	Bottom Arcing Horn		304 Stainless Steel	1
14	Top Arcing Horn		304 Stainless Steel	1

ITEM NO.	Part Name	Part Number	Material	Quantity
21	gasket		NBR	1
20	Vent plug		Brass	1
13	gasket 125°90°4		NBR	1
12	Alu. Clamp		Alu	6
11	Fixing Ring		304 Stainless Steel	1
10	Washer		304 Stainless Steel	6
9	Nut M10		304 Stainless Steel	6
8	Gasket 38°24°2		Klingerit	1
7	Stem		Brass	1
6	Ring gasket 38°20°18		NBR	1
5	Cap		Brass	1
4	Washer		Brass	2
3	Spring Washer		304 Stainless Steel	1
2	Nut M20		Brass	3
1	Top Porcelain		Porcelain	1

Design by:	Product name:
Examined by:	30NF630A BUSHING
Approved by:	DIN 42532
Date:	DRAWING NO.

萍乡市日升电瓷有限公司

DIN42530



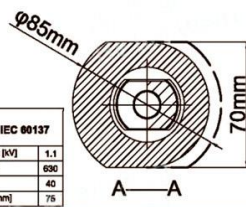
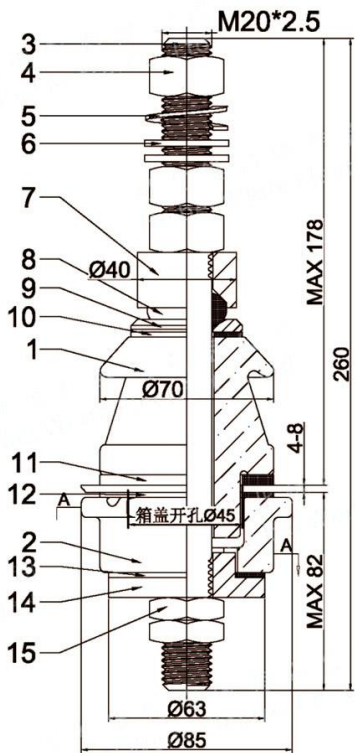
Insulation Levels acc. to IEC 60137		
1	Highest Voltage Rating [kV]	1.1
2	Current Rating [A]	250
3	BIL Rating [kV]	40
4	Creepage Distance [mm]	50

ITEM NO.	Part Name.	Part Number.	Material	Quantity
15	Half Nut M12		Brass	2
14	Closing Piece		Brass	1
13	Gasket 42*25*1.5		Klingerit	1
12	Gasket 50*28*1.5		Klingerit	1
11	Gasket 50*28*4		NBR	1
10	Gasket 32*14*2		NBR	1
9	Flange Gasket		Brass	1
8	Ring gasket 22*12*11		NBR	1
7	Cap		Brass	1
6	Washer		Brass	2
5	Spring Washer		304 Stainless Steel	1
4	Nut M12		Brass	3
3	Stem		Brass	1
2	Bottom Porcelain		Porcelain	1
1	Top Porcelain		Porcelain	1

Design by:	Product name:
Examined by:	DT 1kV/250A BUSHING
Approved by:	DIN 42530
Date:	DRAWING NO.

萍乡市日升电瓷有限公司

DIN42530



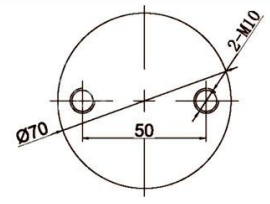
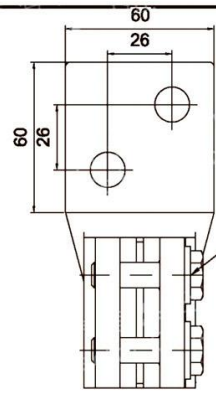
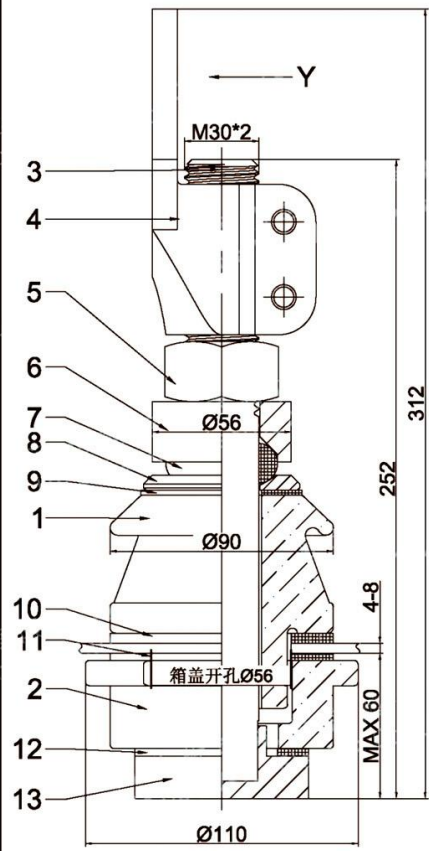
1	Highest Voltage Rating [kV]	1.1
2	Current Rating [A]	630
3	BL Rating [kV]	40
4	Creepage Distance [mm]	75

ITEM NO.	Part Name	Part Number	Material	Quantity
15	Half Nut M20		Brass	2
14	Closing Piece		Brass	1
13	Gasket 63°40°1.5		Klingerit	1
12	Gasket 70°45°1.5		Klingerit	1
11	Gasket 70°45°4		NBR	1
10	Gasket 45°22°2		NBR	1
9	Flange Gasket		Brass	1
8	Ring gasket 32°20°13		NBR	1
7	Cap		Brass	1
6	Washer		Brass	2
5	Spring Washer		304 Stainless Steel	1
4	Nut M20		Brass	3
3	Stem		Brass	1
2	Bottom Porcelain		Porcelain	1
1	Top Porcelain		Porcelain	1

Design by:		Product name:	DT 1kV/630A BUSHING DIN 42530
Examined by:		DRAWING NO.:	
Approved by:			
Date:			

萍乡市日升电瓷有限公司

DIN42530



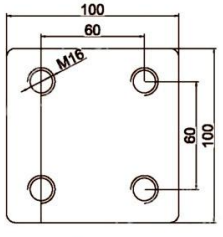
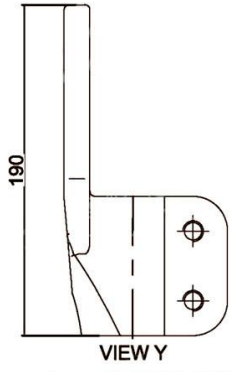
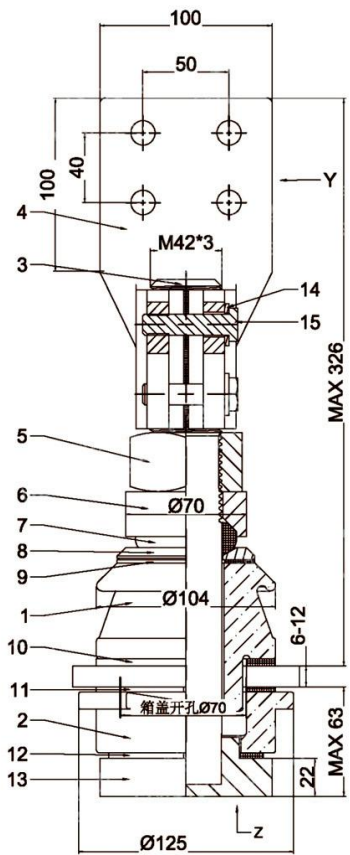
Insulation Levels acc. to IEC 60137		
1	Highest Voltage Rating [kV]	1.1
2	Current Rating [A]	1000
3	BIL Rating [kV]	40
4	Creepage Distance [mm]	75

ITEM NO.	Part Name.	Part Number.	Material	Quantity
15	Washer M10		304 Stainless Steel	2
14	Screw M10		304 Stainless Steel	2
13	Closing Piece		Brass	1
12	Gasket 170°45°1.5		Klingerit	1
11	Gasket 90°56°1.5		Klingerit	1
10	Gasket 90°56°4		NBR	1
9	Gasket 66°32°2		NBR	1
8	Flange Gasket		Brass	1
7	Ring gasket 45°30°18		NBR	1
6	Cap		Brass	1
5	Nut M30		Brass	1
4	Flag FP - M30		Brass	1
3	Stem		Brass	1
2	Bottom Porcelain		Porcelain	1
1	Top Porcelain		Porcelain	1

Design by:	Product name:
Examined by:	DT 1kV/1000A BUSHING
Approved by:	DIN 42530
Date:	DRAWING NO.

萍乡市日升电瓷有限公司

DIN42530



Insulation Levels acc. to IEC 60137

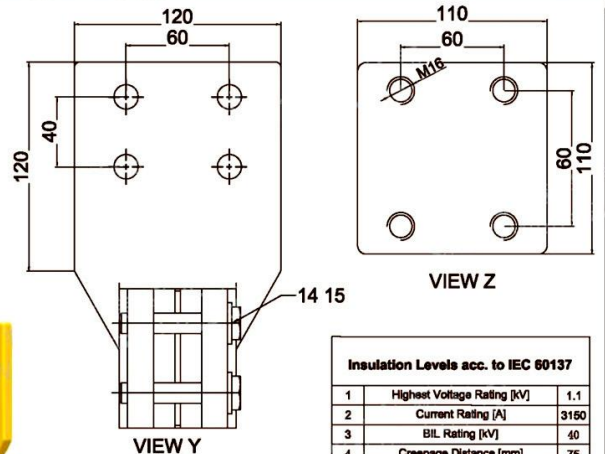
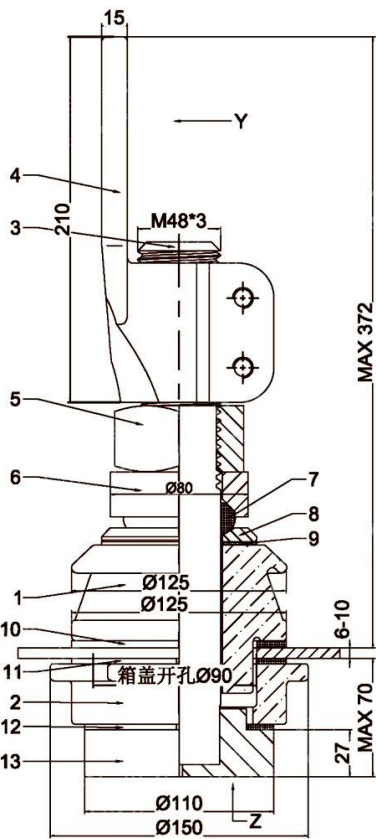
1	Highest Voltage Rating [kV]	1.1
2	Current Rating [A]	2000
3	BIL Rating [kV]	40
4	Creepage Distance [mm]	75

15	Washer M12	304 Stainless Steel	2
14	Screw M12	304 Stainless Steel	2
13	Closing Piece	Brass	1
12	Gasket 90°63*1.5	Klingert	1
11	Gasket 104°70*1.5	Klingert	1
10	Gasket 104°70*4	NBR	1
9	Gasket 80°45*2	NBR	1
8	Flange Gasket	Brass	1
7	Ring gasket 59°42*18	NBR	1
6	Cap	Brass	1
5	Nut M42	Brass	1
4	Flag FP - M42	Brass	1
3	Stem	Brass	1
2	Bottom Porcelain	Porcelain	1
1	Top Porcelain	Porcelain	1

Design by:	Product name:
Examined by:	DT 1kV/2000A BUSHING
Approved by:	DIN 42530
Date:	DRAWING NO.

萍乡市日升电瓷有限公司

DIN42530



Insulation Levels acc. to IEC 60137			
1	Highest Voltage Rating [kV]		1.1
2	Current Rating [A]		3150
3	BIL Rating [kV]		40
4	Creepage Distance [mm]		75

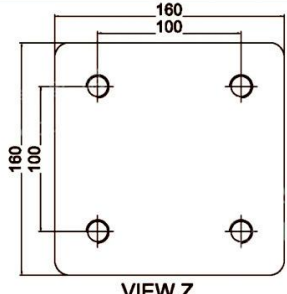
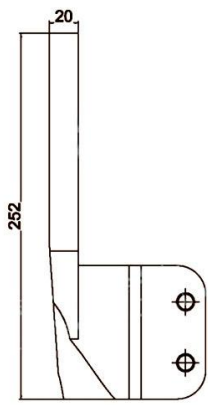
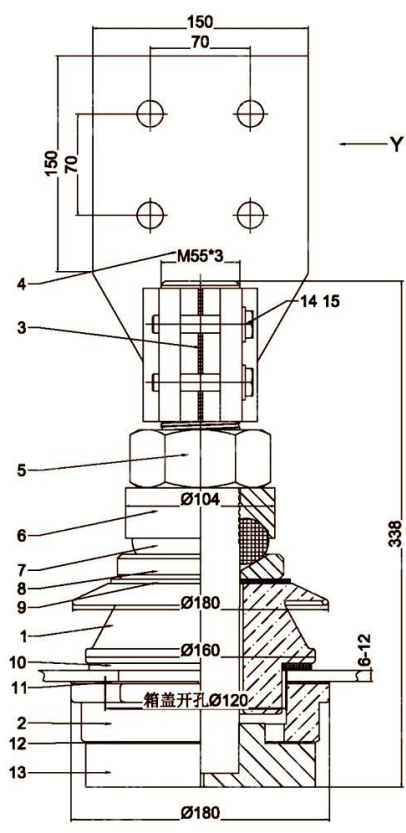


ITEM NO.	Part Name	Part Number	Material	Quantity
15	Washer M12		304 Stainless Steel	2
14	Screw M12		304 Stainless Steel	2
13	Closing Piece		Brass	1
12	Gasket 110°80°1.5		Klingert	1
11	Gasket 125°90°1.5		Klingert	1
10	Gasket 125°90°4		NBR	1
9	Gasket 90°50°2		NBR	1
8	Flange Gasket		Brass	1
7	Ring gasket 65°48°18		NBR	1
6	Cap		Brass	1
5	Nut M48		Brass	1
4	Flag FP - M48		Brass	1
3	Stem		Brass	1
2	Bottom Porcelain		Porcelain	1
1	Top Porcelain		Porcelain	1

Design by:	Product name:
Examined by:	DT 1kV/3150A BUSHING
Approved by:	DIN 42530
Date:	DRAWING NO.

萍乡市日升电瓷有限公司

DIN42530



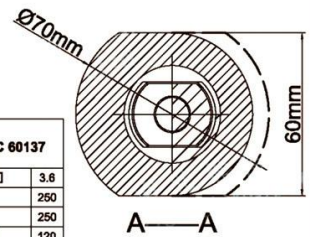
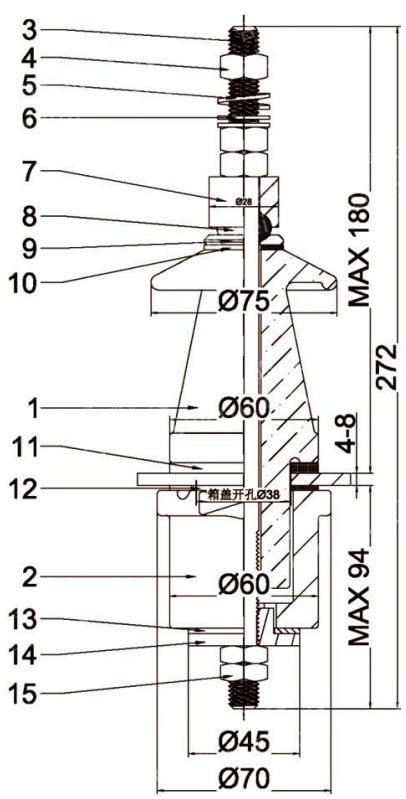
1	Highest Voltage Rating [kV]	1.1
2	Current Rating [A]	4500
3	BIL Rating [kV]	40
4	Creepage Distance [mm]	85

ITEM NO.	Part Name.	Part Number.	Material	Quantity
15	Washer M12		304 Stainless Steel	2
14	Screw M12		304 Stainless Steel	2
13	Closing Piece		Brass	1
12	Gasket 180°90°1.5		Klingerit	1
11	Gasket 180°120°1.5		Klingerit	1
10	Gasket 155°120°5		NBR	1
9	Gasket 125°56°3		NBR	1
8	Flange Gasket		Brass	1
7	Ring gasket 90°55°30		NBR	1
6	Cap		Brass	1
5	Nut M55		Brass	1
4	Flag FP - M55		Brass	1
3	Stem		Brass	1
2	Bottom Porcelain		Porcelain	1
1	Top Porcelain		Porcelain	1

Design by:	Product name:
Examined by:	DT 1kV/4500A BUSHING
Approved by:	DIN 42530
Date:	DRAWING NO.

萍乡市日升电瓷有限公司

DIN42539



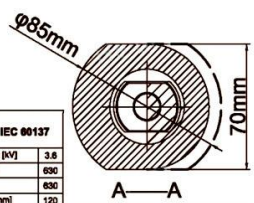
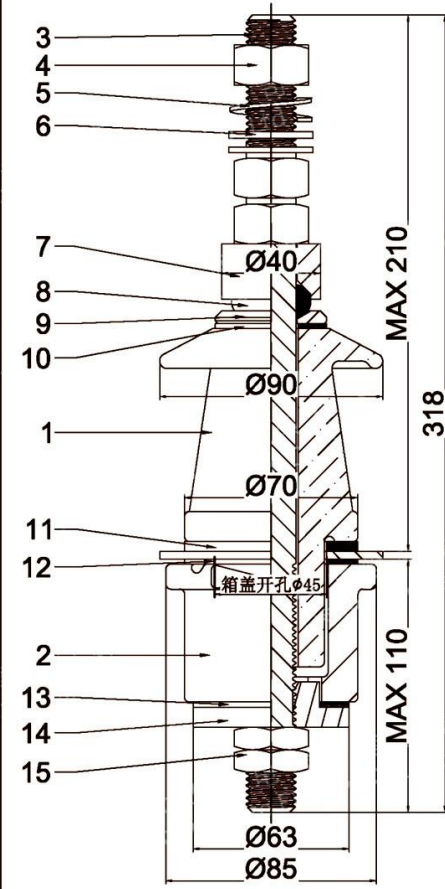
Insulation Levels acc. to IEC 60137		
1	Highest Voltage Rating [kV]	3.6
2	Current Rating [A]	250
3	BIL Rating [kV]	250
4	Creepage Distance [mm]	120

ITEM NO.	Part Name.	Part Number.	Material	Quantity
15	Half Nut M12		Brass	2
14	Closing Piece		Brass	1
13	Gasket 42*25*1.5		Klingerit	1
12	Gasket 60*38*1.5		Klingerit	1
11	Gasket 60*38*4		NBR	1
10	Gasket 32*14*2		NBR	1
9	Flange Gasket		Brass	1
8	Ring gasket 22*12*11		NBR	1
7	Cap		Brass	1
6	Washer		Brass	2
5	Spring Washer		304 Stainless Steel	1
4	Nut M12		Brass	3
3	Stem		Brass	1
2	Bottom Porcelain		Porcelain	1
1	Top Porcelain		Porcelain	1

Design by:	Product name:
Examined by:	DT 3kV/250A BUSHING
Approved by:	DIN 42539
Date:	DRAWING NO.

萍乡市日升电气有限公司

DIN42539



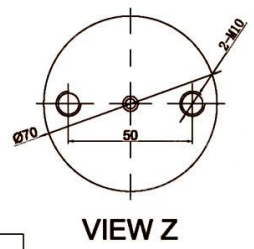
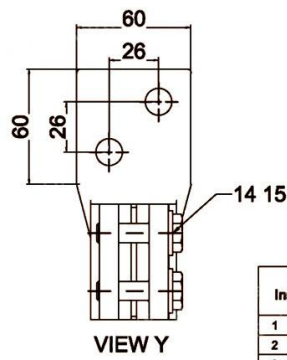
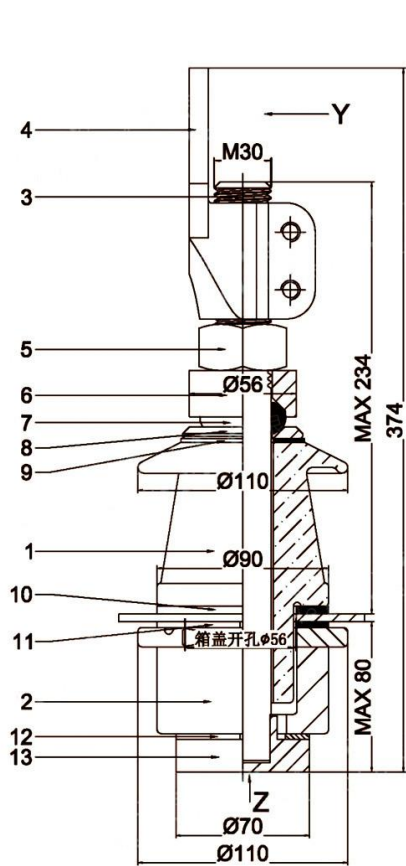
1	Highest Voltage Rating [kV]	3.8
2	Current Rating [A]	630
3	BL Rating [kV]	630
4	Creepage Distance [mm]	120

ITEM NO.	Part Name	Part Number	Material	Quantity
15	Half Nut M20		Brass	2
14	Closing Piece		Brass	1
13	Gasket 63°40°1.5		Klingerit	1
12	Gasket 70°45°1.5		Klingerit	1
11	Gasket 70°45°4		NBR	1
10	Gasket 45°22°2		NBR	1
9	Flange Gasket		Brass	1
8	Ring gasket 32°20°13		NBR	1
7	Cap		Brass	1
6	Washer		Brass	2
5	Spring Washer		304 Stainless Steel	1
4	Nut M20		Brass	3
3	Stem		Brass	1
2	Bottom Porcelain		Porcelain	1
1	Top Porcelain		Porcelain	1

Design by:	Product name:
Examined by:	DT 3kV/630A BUSHING
Approved by:	DIN 42539
Date:	DRAWING NO.

萍乡市日升电瓷有限公司

DIN42539



Insulation Levels acc. to IEC 60137

1	Highest Voltage Rating [kV]	3.6
2	Current Rating [A]	1000
3	BIL Rating [kV]	40
4	Creepage Distance [mm]	125

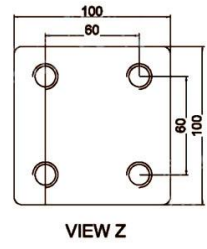
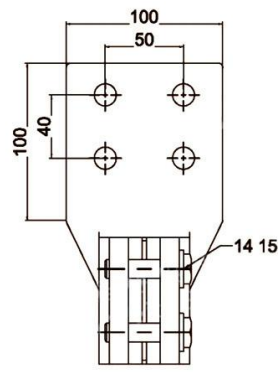
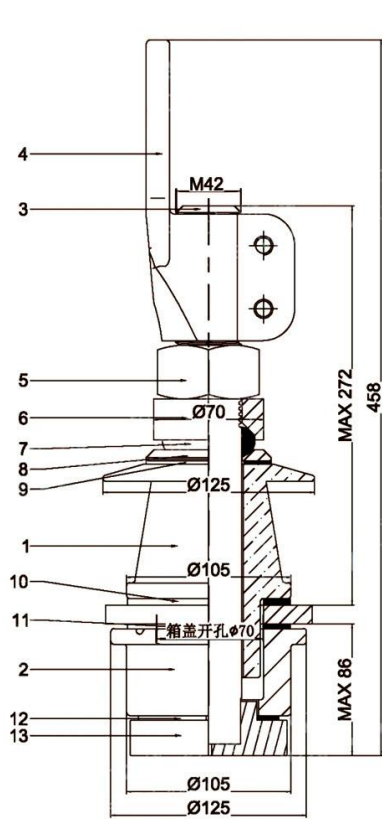


ITEM NO.	Part Name.	Part Number.	Material	Quantity
15	Washer M10		304 Stainless Steel	2
14	Screw M10		304 Stainless Steel	2
13	Closing Piece		Brass	1
12	Gasket 170°45°1.5		Klingerit	1
11	Gasket 90°56°1.5		Klingerit	1
10	Gasket 90°56°4		NBR	1
9	Gasket 66°32°2		NBR	1
8	Flange Gasket		Brass	1
7	Ring gasket 45°30°18		NBR	1
6	Cap		Brass	1
5	Nut M30		Brass	1
4	Flag FP - M30		Brass	1
3	Stem		Brass	1
2	Bottom Porcelain		Porcelain	1
1	Top Porcelain		Porcelain	1

Design by:	Product name:
Examined by:	DT 3kV/1000A BUSHING
Approved by:	DIN 42539
Date:	DRAWING NO.

萍乡市日升电瓷有限公司

DIN42539



Insulation Levels acc. to IEC 60137

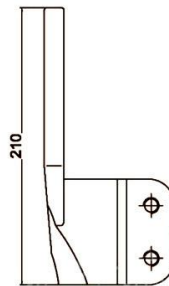
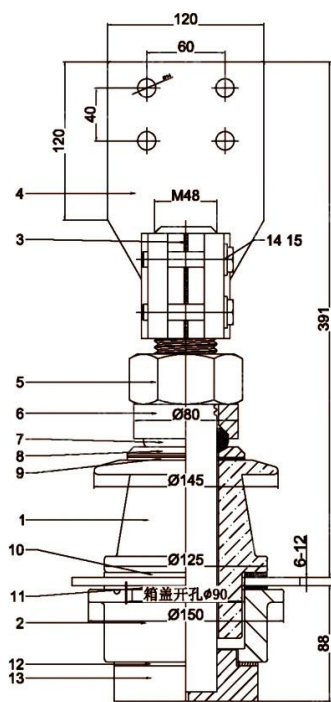
1	Highest Voltage Rating [kV]	3.6
2	Current Rating [A]	2000
3	BIL Rating [kV]	40
4	Creepage Distance [mm]	125

ITEM NO.	Part Name.	Part Number.	Material	Quantity
15	Washer M12		304 Stainless Steel	2
14	Screw M12		304 Stainless Steel	2
13	Closing Piece		Brass	1
12	Gasket 90°63°1.5		Klingerit	1
11	Gasket 104°70°1.5		Klingerit	1
10	Gasket 104°70°4		NBR	1
9	Gasket 80°45°2		NBR	1
8	Flange Gasket		Brass	1
7	Ring gasket 59°42°18		NBR	1
6	Cap		Brass	1
5	Nut M42		Brass	1
4	Flag FP - M42		Brass	1
3	Stem		Brass	1
2	Bottom Porcelain		Porcelain	1
1	Top Porcelain		Porcelain	1

Design by:	Product name:
Examined by:	DT 3kV/2000A BUSHING
Approved by:	DIN 42539
Date:	DRAWING NO.

萍乡市日升电瓷有限公司

DIN42539



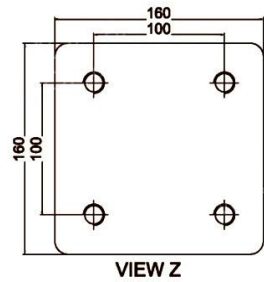
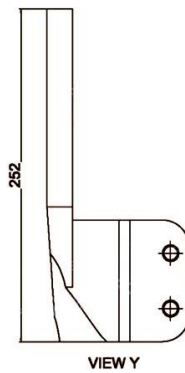
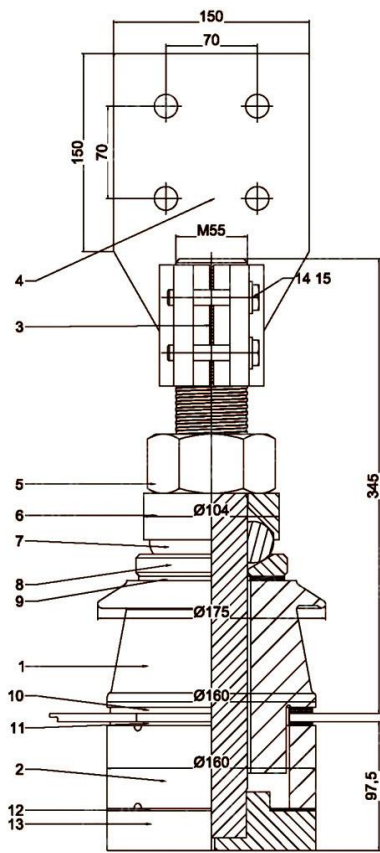
Insulation Levels acc. to IEC 60137		
1	Highest Voltage Rating [kV]	3.6
2	Current Rating [A]	3150
3	BIL Rating [kV]	40
4	Creepage Distance [mm]	125

ITEM NO.	Part Name.	Part Number.	Material	Quantity
15	Washer M12		304 Stainless Steel	2
14	Screw M12		304 Stainless Steel	2
13	Closing Piece		Brass	1
12	Gasket 110°80°1.5		Klingerit	1
11	Gasket 125°90°1.5		Klingerit	1
10	Gasket 125°90°4		NBR	1
9	Gasket 90°50°2		NBR	1
8	Flange Gasket		Brass	1
7	Ring gasket 65°48°18		NBR	1
6	Cap		Brass	1
5	Nut M48		Brass	1
4	Flag FP - M48		Brass	1
3	Stem		Brass	1
2	Bottom Porcelain		Porcelain	1
1	Top Porcelain		Porcelain	1

Design by:	Product name:
Examined by:	DT 3kV/3150A BUSHING
Approved by:	DIN 42539
Date:	DRAWING NO.

萍乡市日升电瓷有限公司

DIN42539



1	Highest Voltage Rating [kV]	
2	Current Rating [A]	4500
3	BIL Rating [kV]	
4	Creepage Distance [mm]	

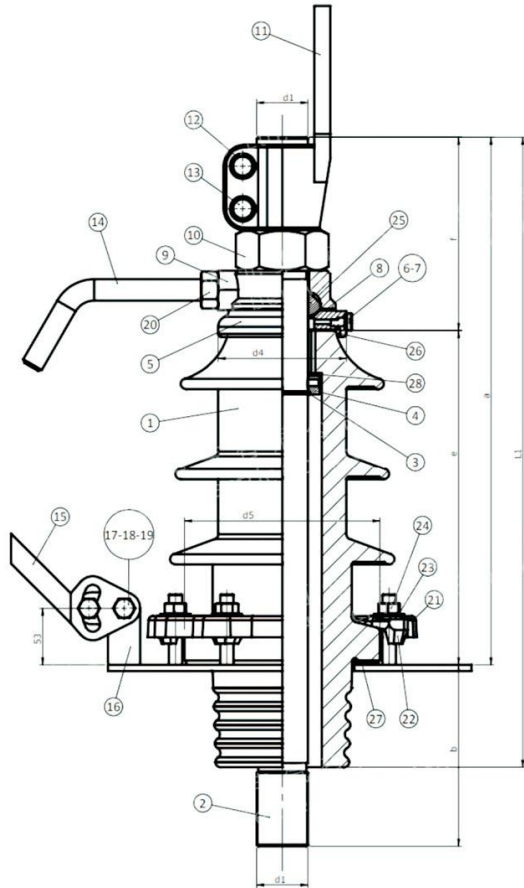


ITEM NO.	Part Name.	Part Number.	Material	Quantity
15	Washer M12		304 Stainless Steel	2
14	Screw M12		304 Stainless Steel	2
13	Closing Piece		Brass	1
12	Gasket 155*120*1.5		Klingerit	1
11	Gasket 155*120*1.5		Klingerit	1
10	Gasket 155*120*3		NBR	1
9	Gasket 112*59*3		NBR	1
8	Flange Gasket		Brass	1
7	Ring gasket 95*55*30		NBR	1
6	Cap		Brass	1
5	Nut M55		Brass	1
4	Flag FP - M55		Brass	1
3	Stem		Brass	1
2	Bottom Porcelain		Porcelain	1
1	Top Porcelain		Porcelain	1

Design by:	Product name:
Examined by:	DT 3kV/4500A BUSHING
Approved by:	DIN 42539
Date:	DRAWING NO.

萍乡市日升电瓷有限公司

DIN42533



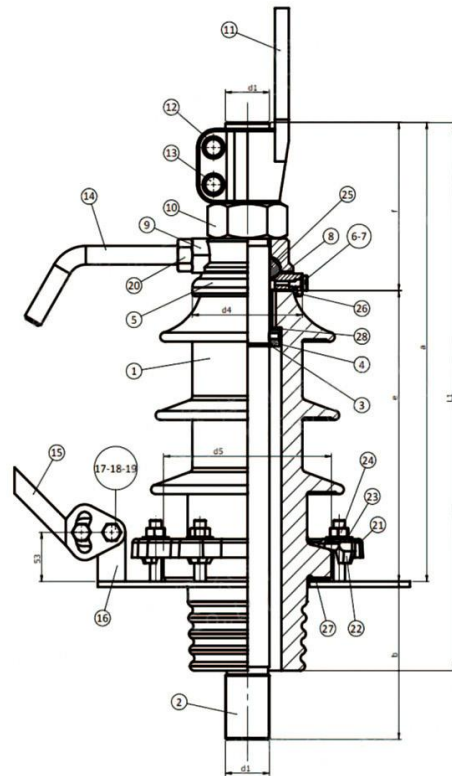
Type	a mm	b mm	d1 mm	d3 mm	d4 mm	d5 mm	e mm	f mm	l1 mm	weigh kg
DT 10 NF 1000 455	158			110	100	163	239	148	541	15,2
DT 20 NF 1000 530	168		M30x2	110	100	163	314	148	626	18,2
DT 30 NF 1000 635	198			110	100	163	419	148	756	21,9
DT 10 NF 2000 530	158			135	120	183	239	178	616	24,9
DT 20 NF 2000 605	168		M42x3	135	120	183	314	178	701	29
DT 30 NF 2000 710	198			135	120	183	419	178	831	34,7
DT 10 NF 3150 560	158			135	120	183	239	183	646	28,5
DT 20 NF 3150 635	168		M48x3	135	120	183	314	183	731	32,6
DT 30 NF 3150 740	198			135	120	183	419	183	861	38,8
DT 52 NF 1000 725	253		M30x2	135	120	183	509	148	901	35,2
DT 52 NF 2000 800	253		M42x3	135	120	183	509	178	976	44,9
DT 52 NF 3150 830	253		M48x3	135	120	183	509	183	1006	49,2

Design by:		Product name:	
Examined by:		10NF/1000A-3150A BUSHING	萍乡市日升瓷有限公司
Approved by:		DIN 42533	
Date:		DRAWING NO.	

DIN42533

Pos. No.	Description	Material	10-30 NF 1000-3150 Pcs.	52 NF 1000-3150 Pcs.
1	porcelain A	C110	1	1
2	Connecting Bolt	Cu-ETP	1	1
3	Ring S	CuZn40Pb2	1	1
4	Press ring	CuZn40Pb2	1	1
5	Cap E	CuZn40Pb2	1	1
6	Screw R	CuZn40Pb2	1	1
7	Flat Gasket F	PA6	1	1
8	Ring U	Cu-ETP	1	1
9	Washer F	CuZn40Pb2	1	1
10	Hexagon nut	CuZn40Pb2	1	1
11	Connecting Flag	CuZn40Pb2	1	1
12	Spring Washer	A2	2	2
13	Hexagon nut	A2	2	2
14	Upper arcing horn	A2	1	1

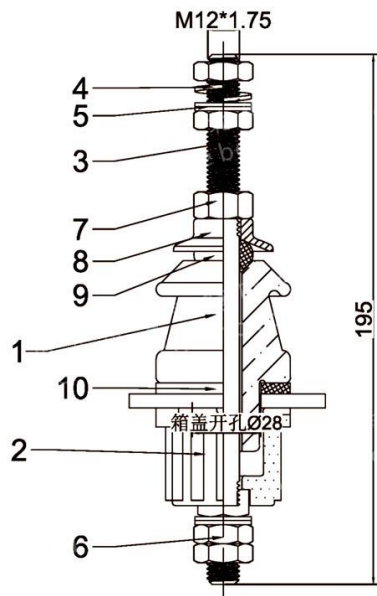
Pos. No.	Description	Material	10-30 NF 1000-3150 Pcs.	52 NF 1000-3150 Pcs.
1	Unteres Funkenhorn	A2	1	1
2	arcng horn holder	A2	1	1
3	Spring Lock Washer	A2	2	2
4	Hexagon screw	A2	2	2
5	Hexagon nut	A2	2	2
6	Hexagon nut	A2	1	1
7	Flangering	Al	1	1
8	Press bit	G-ZnAl6Cu1	6	6
9	washer	A2	6	6
10	Hexagon nut	A2	6	6
11	Ring gasket J	NBR	1	1
9	Flat gasket M	NBR	1	1
10	Flat gasket N	NBR	1	1
11	gasket O	Pressspan	1	1



Design by:	Product name:
Examined by:	10NF/1000A-3150A BUSHING
Approved by:	DIN 42533
Date:	DRAWING NO.

萍乡市日升陶瓷有限公司

EN50386



Insulation Levels acc. to IEC 60137		
1	Highest Voltage Rating [kV]	1.1
2	Current Rating [A]	250
3	BIL Rating [kV]	40
4	Creepage Distance [mm]	50

ITEM NO.	Part Name.	Part Number.	Material	Quantity
10	Gasket 50*28*6		NBR	1
9	Ring gasket 22*12*11		NBR	1
8	Cap		Brass	1
7	Nut M12		Brass	2
6	Lock Nut M12		Brass	4
5	Washer		304 Stainless Steel	1
4	Spring Washer		Brass	4
3	Stem		Brass	1
2	尼龙底座		PA6 GF30	1
1	Top Porcelain		Porcelain	1

Design by:	Product name:
Examined by:	EN 1kV/250A-3
Approved by:	DRAWING NO.
Date:	

萍乡市日升电瓷有限公司

